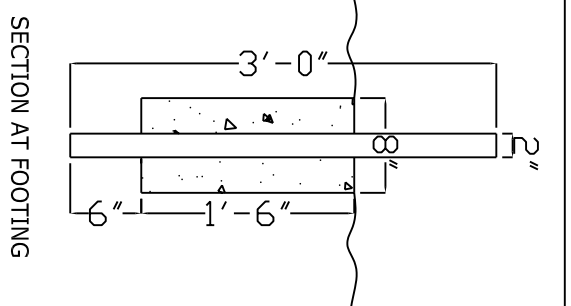
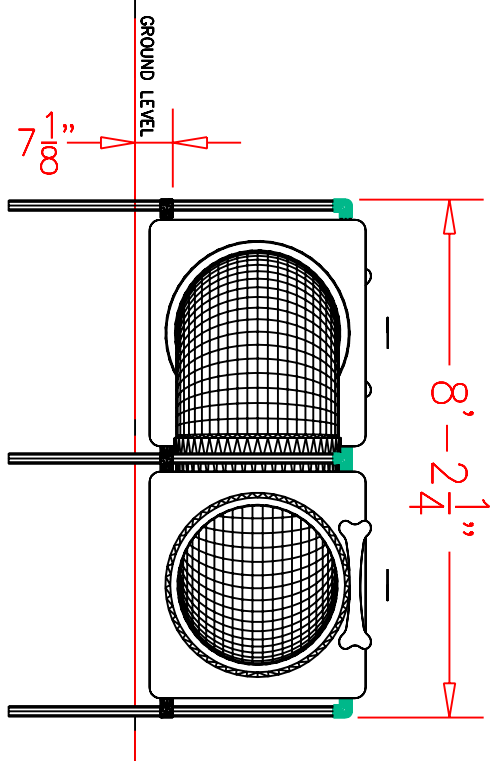
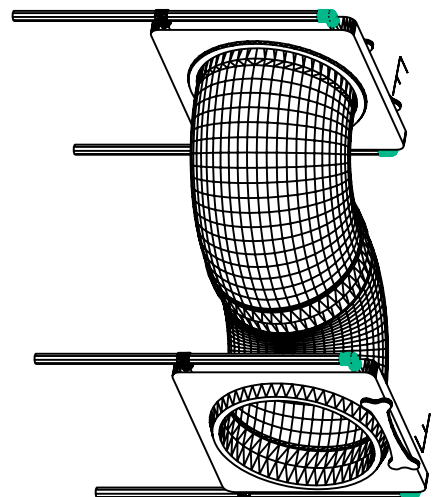
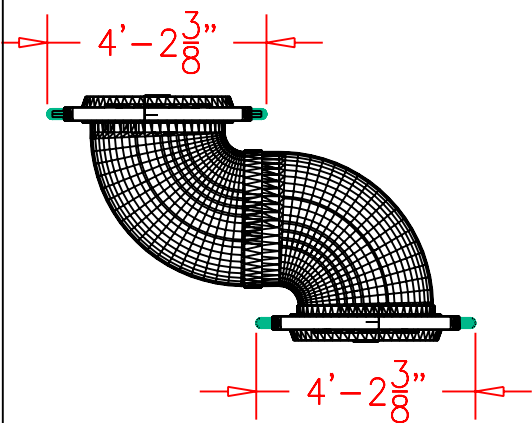


Superior International Industries The Unlimited Playground Factories

REV.	DESCRIPTION

FPTTT001



PLAYSYSTEM:
 UNIT SIZE: SEE DWG.
 DRAWN BY: K.MCGRATH
 DATE: 07/23/2004
 SHEET: 1 OF 1

COLOR SCHEME:
 THE COLORS SHOWN REPRESENT A PARTICULAR COLOR SCHEME. INDIVIDUAL COMPONENTS MAY DIFFER; HOWEVER, THEY WILL REMAIN WITHIN THE DESIGNATED SCHEME.

MEASUREMENTS TO BE VERIFIED BY CUSTOMER PRIOR TO PURCHASE
 APPROVED AS DRAWN

x _____ (SIGN AND DATE)

THROUGH THE TUNNEL