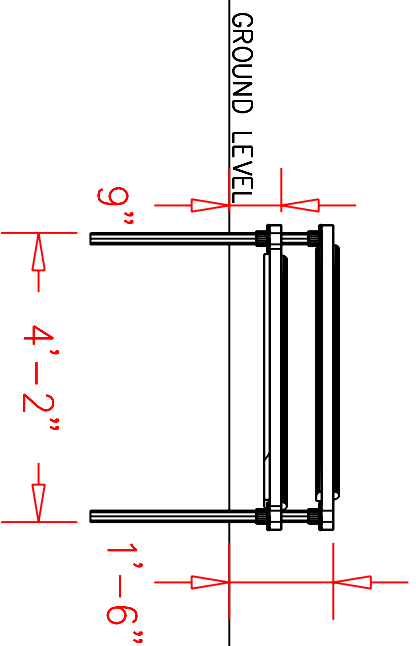
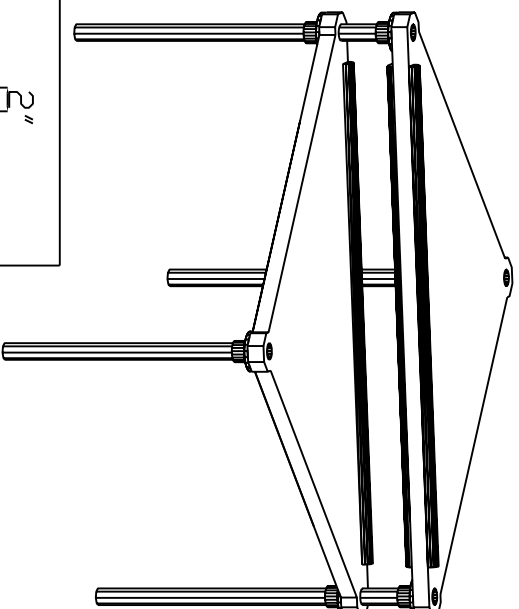
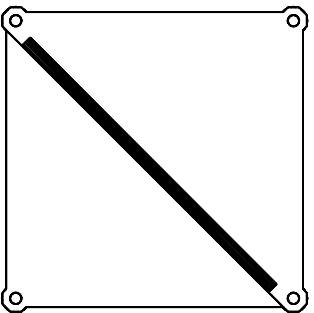


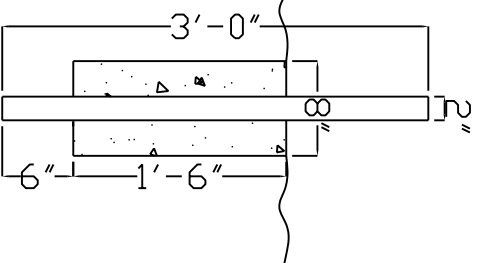
Superior International Industries The Unlimited Playground Factories

REV. DESCRIPTION

FPSCS0001



SECTION AT FOOTING



PLAYSYSTEM:

UNIT SIZE: SEE DWG.

DRAWN BY: K.MCGRATH

DATE: 07/23/2004

SHEET: 1 OF 1

COLOR SCHEME:

THE COLORS SHOWN REPRESENT A PARTICULAR COLOR SCHEME. ADDITIONAL COMMENTS AND DIMENSIONS WILL REMAIN WITHIN THE DESIGNED SCHEME.

MEASUREMENTS TO BE VERIFIED BY CUSTOMER PRIOR TO PURCHASE APPROVED AS DRAWN

(SIGN AND DATE)

CLIMB AND SIT