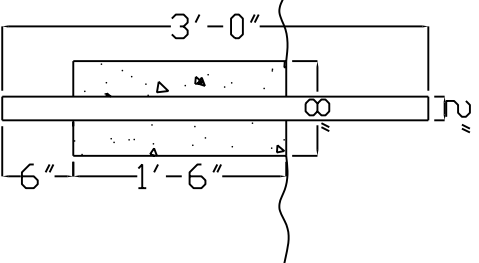
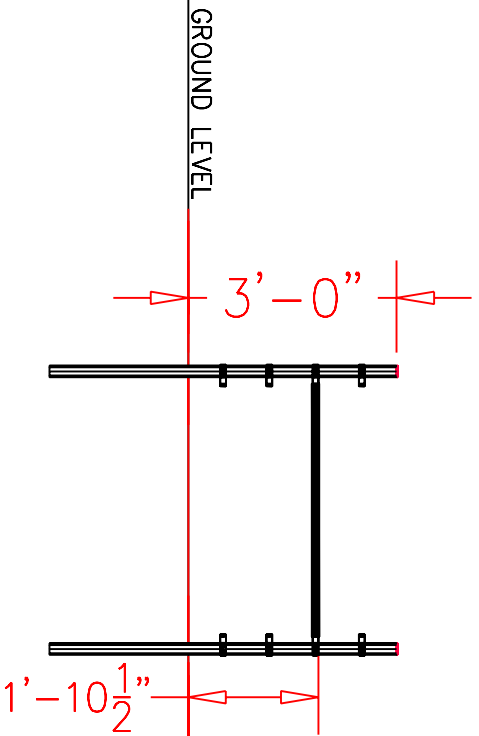
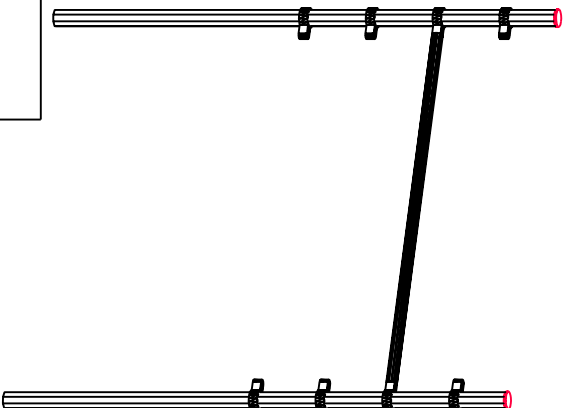
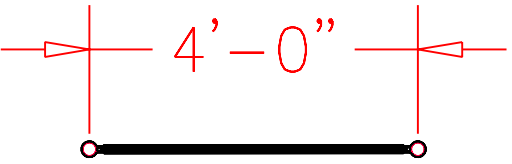


Superior International Industries The Unlimited Playground Factories

REV. DESCRIPTION

FPLA0001



SECTION AT FOOTING

PLAYSYSTEM:

UNIT SIZE: SEE DWG.

DRAWN BY: K.MCGRATH

DATE: 07/23/2004

SHEET: 1 OF 1

COLOR SCHEME:

THE COLORS SHOWN REPRESENT A PARTICULAR COLOR SCHEME. INDIVIDUAL COMPONENTS AND PARTS COULD REMAIN WITHIN THE DESIGNATED SCHEME.

MEASUREMENTS TO BE VERIFIED BY CUSTOMER PRIOR TO PURCHASE APPROVED AS DRAWN

(SIGN AND DATE)

LIMBONE ANYONE