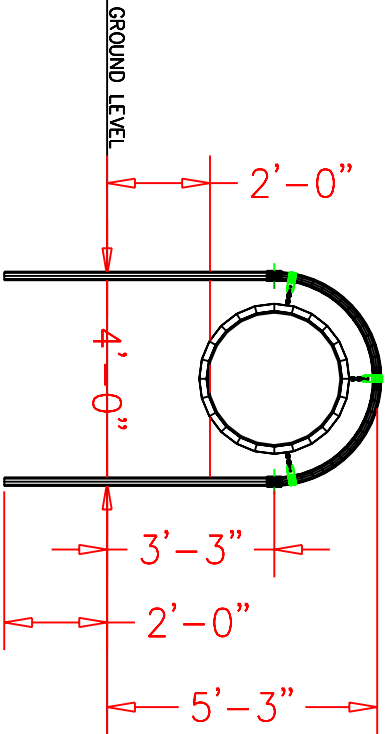
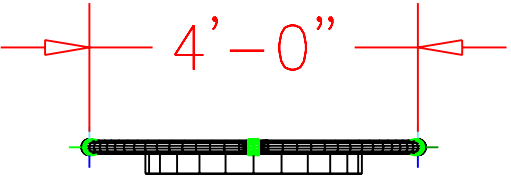


Superior International Industries The Unlimited Playground Factories

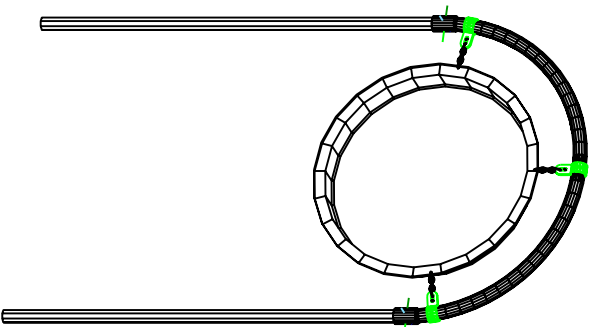
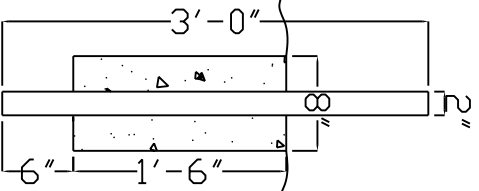
REV.

DESCRIPTION

FPTT0001



SECTION AT FOOTING



PLAYSYSTEM:

UNIT SIZE: SEE DWG.

DRAWN BY: K.MCGRATH

DATE: 07/19/2004

SHEET: 1 OF 1

COLOR SCHEME:

THE COLORS SHOWN REPRESENT A PARTICULAR COLOR SCHEME. INDIVIDUAL COMPONENTS AND PARTS COULD VARY AND WILL REMAIN WITHIN THE DESIGNATED SCHEME.

MEASUREMENTS TO BE VERIFIED BY CUSTOMER PRIOR TO PURCHASE APPROVED AS DRAWN

(SIGN AND DATE)

THROUGH THE TARGET