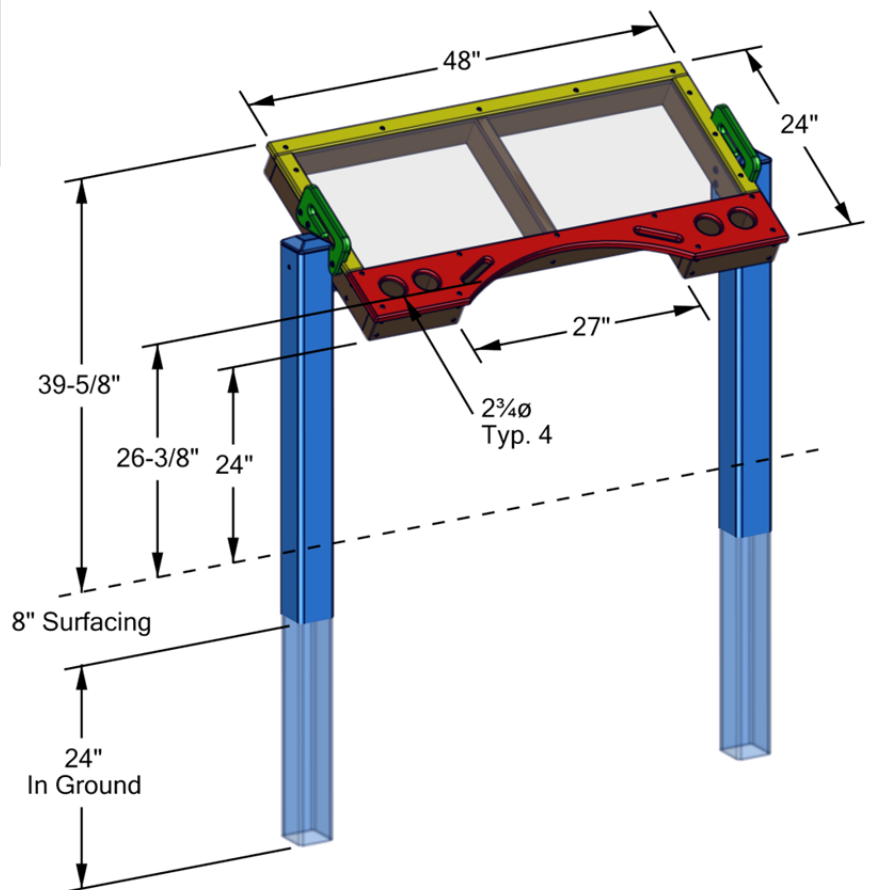
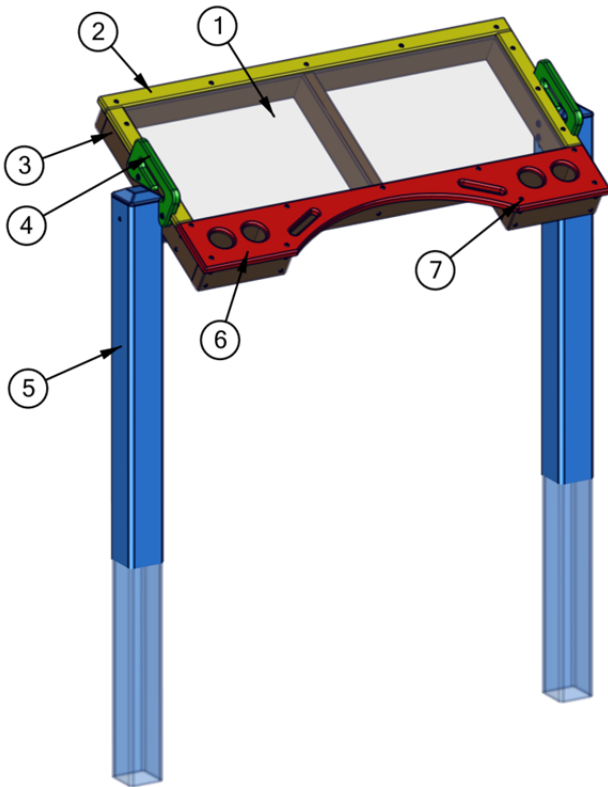




**Art Easel - Universal  
Model: 41109FT**

**Age Group: 2-5 Years,  
5-12 Years**



**Total Weight: 154 lbs (69.9 kg)**

ITEM	QTY	DESCRIPTION	MATERIAL
1	1	Transparent Drawing Panel	Lexan
2	3	3/4" Trim Panel	HDPE
3	9	2" x 4" Frame Member	Trex
4	2	3/4" Handgrip Panel	HDPE
5	2	4" x 4" Support Post with Cap	FRP
6	1	3/4" Tray Panel	HDPE
7	56	Assembly Hardware	Stainless Steel