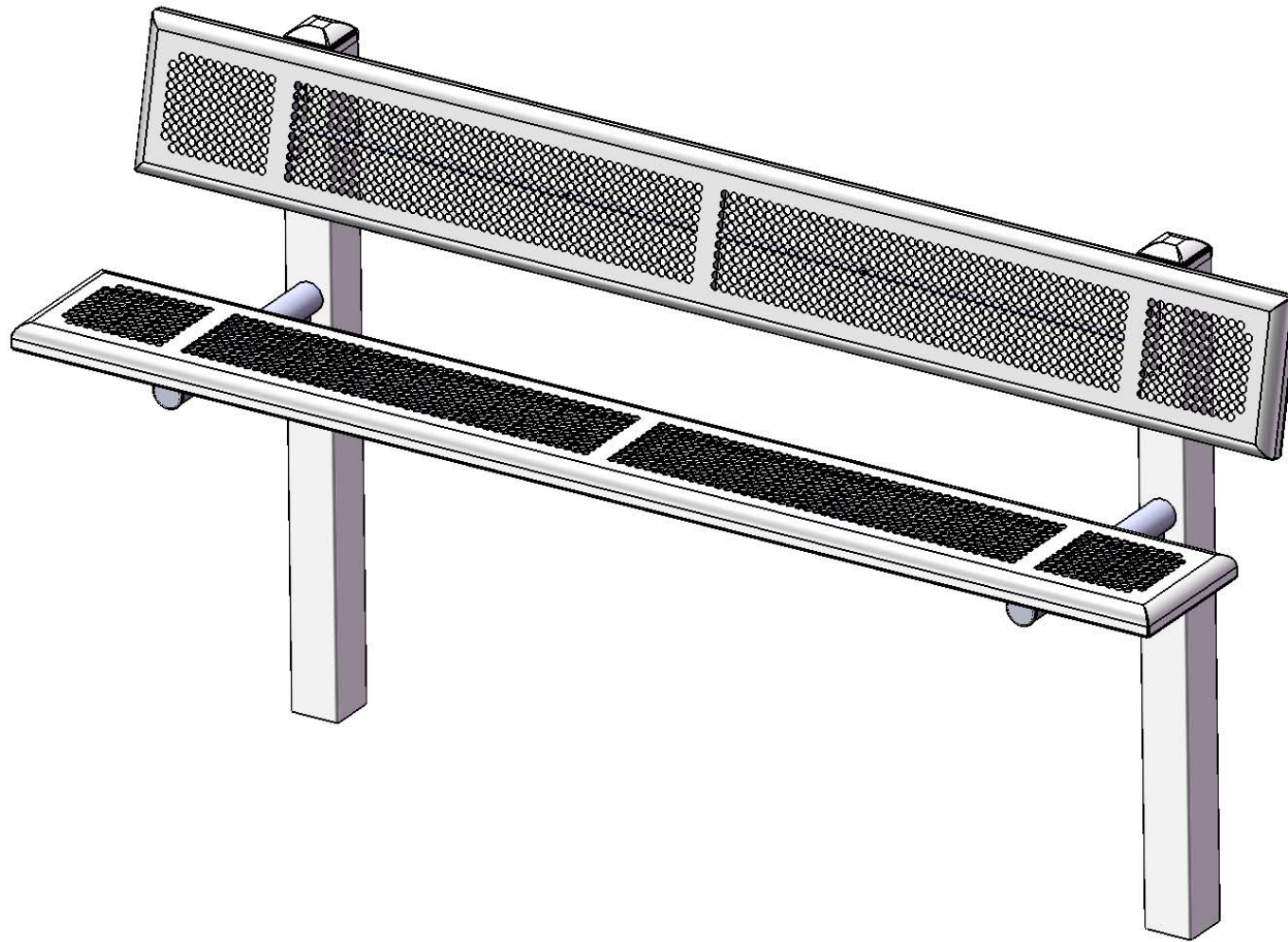


Site Amenities

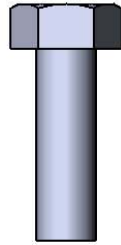
BY SUPERIOR RECREATIONAL PRODUCTS



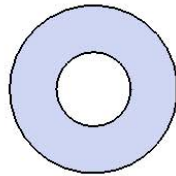
Model # B8WBPERFD4-4S

S SUPERIOR[®]
RECREATIONAL PRODUCTS
A PLAYCORE Company

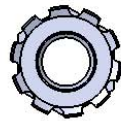
HARDWARE



5/16" x 1"
Machine Bolt



5/16" Washer



5/16" Kep Nut

PRODUCT SPECIFICATIONS

B8WBPERFD4-4S SINGLE SIDED INGROUND BENCH WITH BACK

Seats & Back: Seats shall have a 1 ½" radius edge, fabricated from a 14 ga. plate. Holes are precision punched at 5/8" diameter. 7 gauge x 1-1/2" flat bar center support and mounting bracket understructure. Electrically MIG welded.

Coating: Oven fused functionalized polyethylene copolymer-based thermoplastic. Fluidized bed coating application with superior mechanical performance, impact resistance and UV-stability.

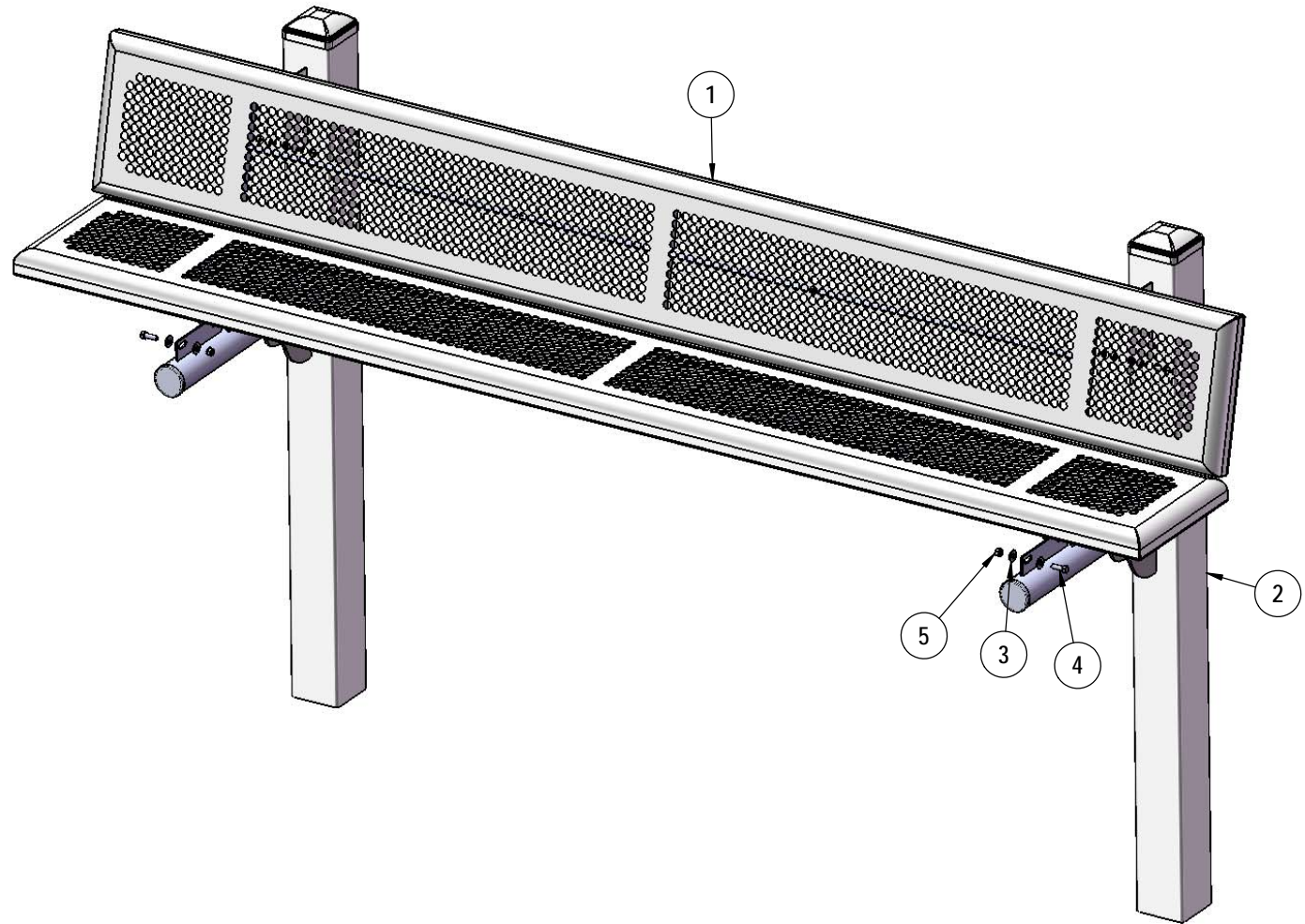
Frame: The main post is fabricated from 4 x 4 x 11 gauge square tubing. 2-3/8" O.D. x 12 gauge pre-galvanized structural steel tubing seat support. Seat arms are supported by a 1/4" thick, 6" gusset. Tube ends are pre-galvanized steel capped. Seat and back mounting points are 7 gauge x 1-1/2" die stamped steel flat bar. All electrically MIG welded.

Frame Coating: Electrostatic powder coated application oven cured.

Hardware: All stainless steel hardware fasteners.

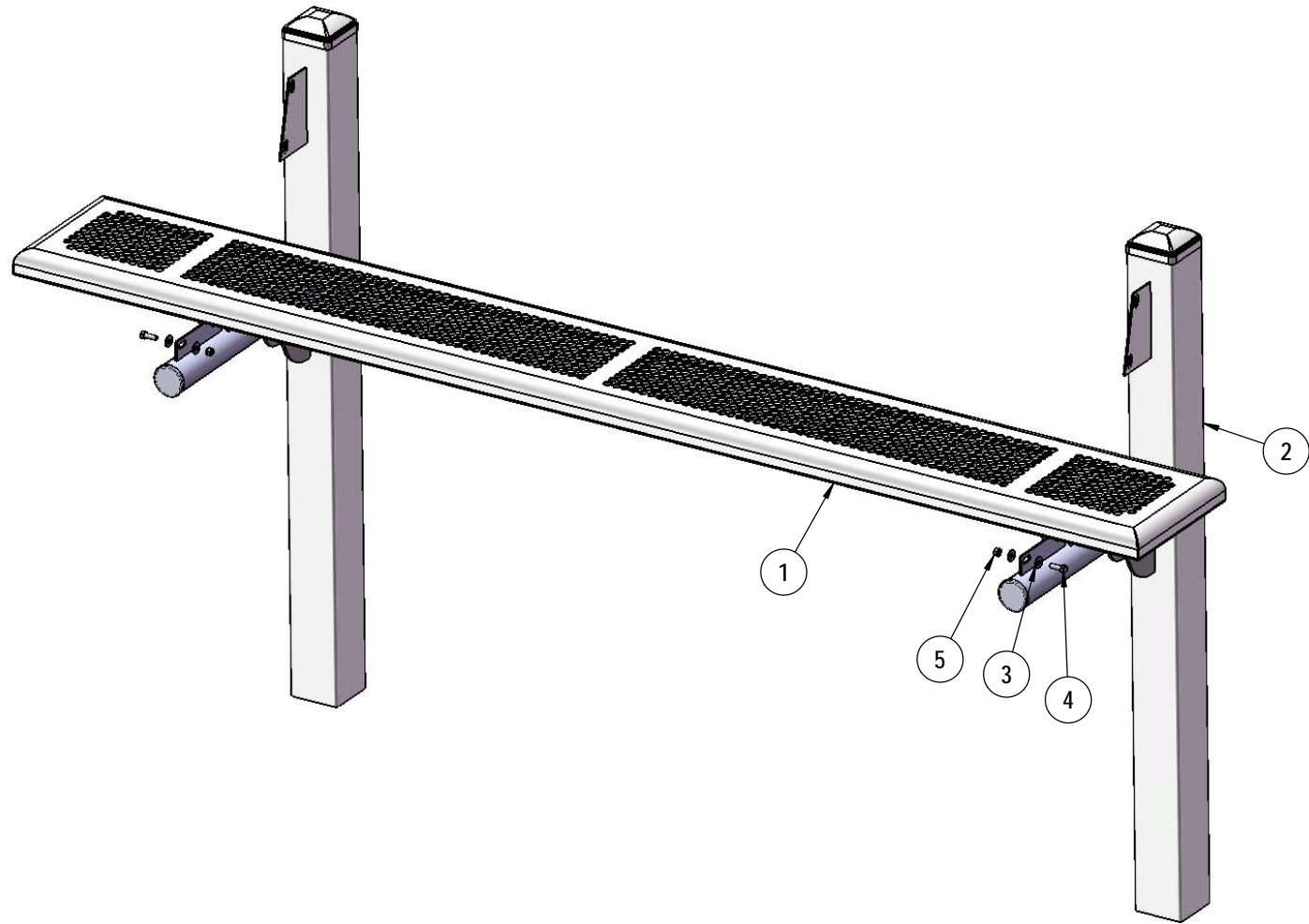
Dimensions: 8' bench inground with back. Seat and back are 12-1/8" wide x 96-1/8" long. Seat height is 18". Seat back height is 36". Total depth of seat with back is 25".

COMPONENTS



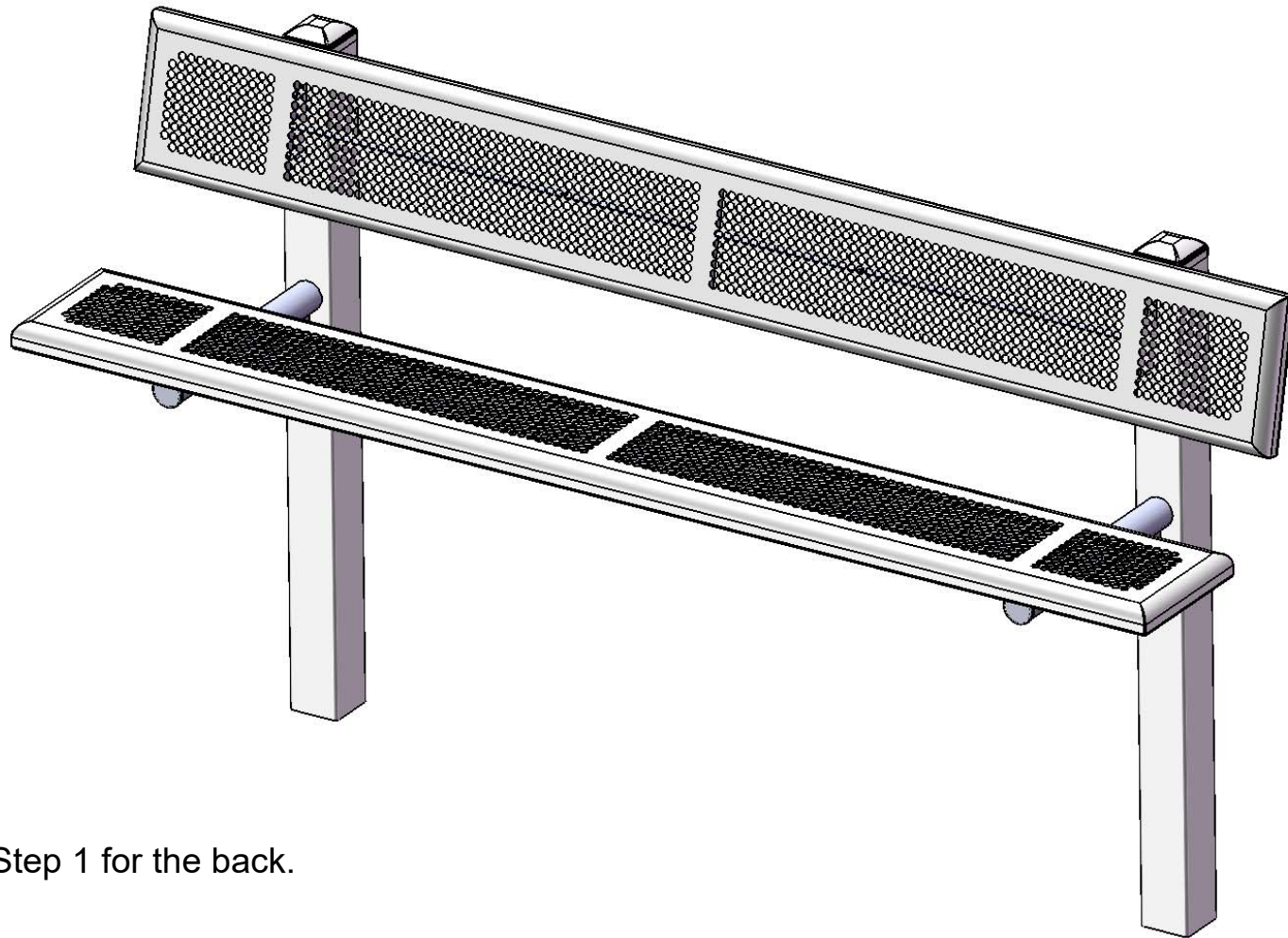
ITEM NO.	PartNo	DESCRIPTION	QTY.
1	T-PR96-S	8' Punched Rolled Seat	2
2	P-V961S	961 Vinyl Inground Leg	2
3	33-02-0007	5/16" SS Washer	16
4	33-05-0029	5/16" x 1" Machine Bolt (SS)	8
5	33-03-0012	5/16" Kep Nut (SS)	8

STEP 1



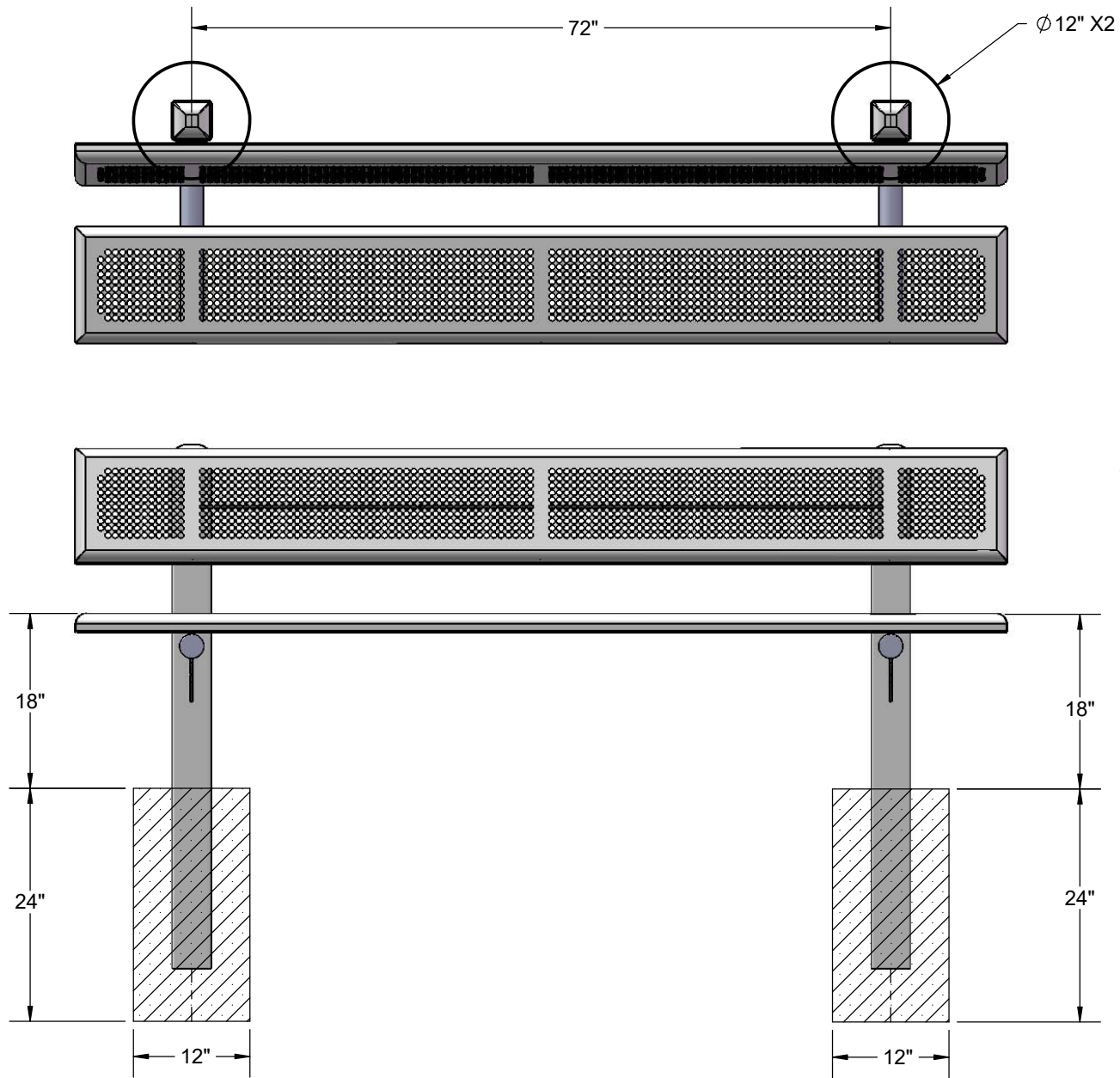
Attach the 8' Seat to the Legs using specified hardware.

STEP 2



Repeat Step 1 for the back.

FOOTINGS



Estimated Required Concret:
9 - 50lb Bags of Concrete Mix

OVERALL DIMENSIONS

