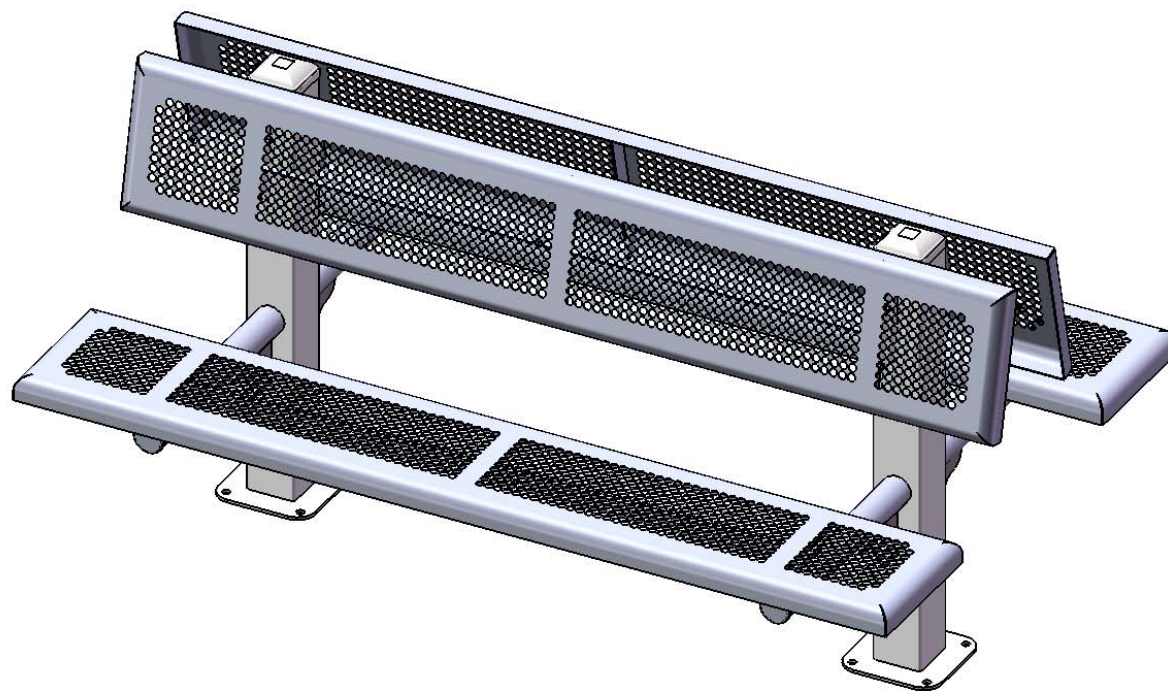


# Site Amenities

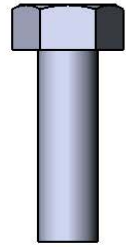
BY SUPERIOR RECREATIONAL PRODUCTS



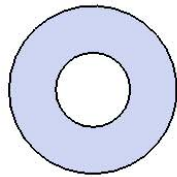
Model # B8WBPERF4-4SM

 **SUPERIOR**<sup>®</sup>  
RECREATIONAL PRODUCTS  
A **PLAYCORE** Company

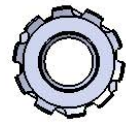
# HARDWARE



5/16" X 1"  
Machine Bolt



5/16" Washer



5/16" Kep Nut

# PRODUCT SPECIFICATIONS

## **B8WBPERF4-4SM DOUBLE SIDED SURFACE MOUNT BENCH WITH BACK**

**Seats & Back:** Seats shall have a 1 1/2" radius edge, fabricated from a 14ga plate. Holes are precision punched at 5/8" diameter. 7 gauge x 1-1/2" flat bar center support and mounting bracket understructure. Electrically MIG welded.

**Coating:** Oven fused functionalized polyethylene copolymer-based thermoplastic. Fluidized bed coating application with superior mechanical performance, impact resistance and UV-stability.

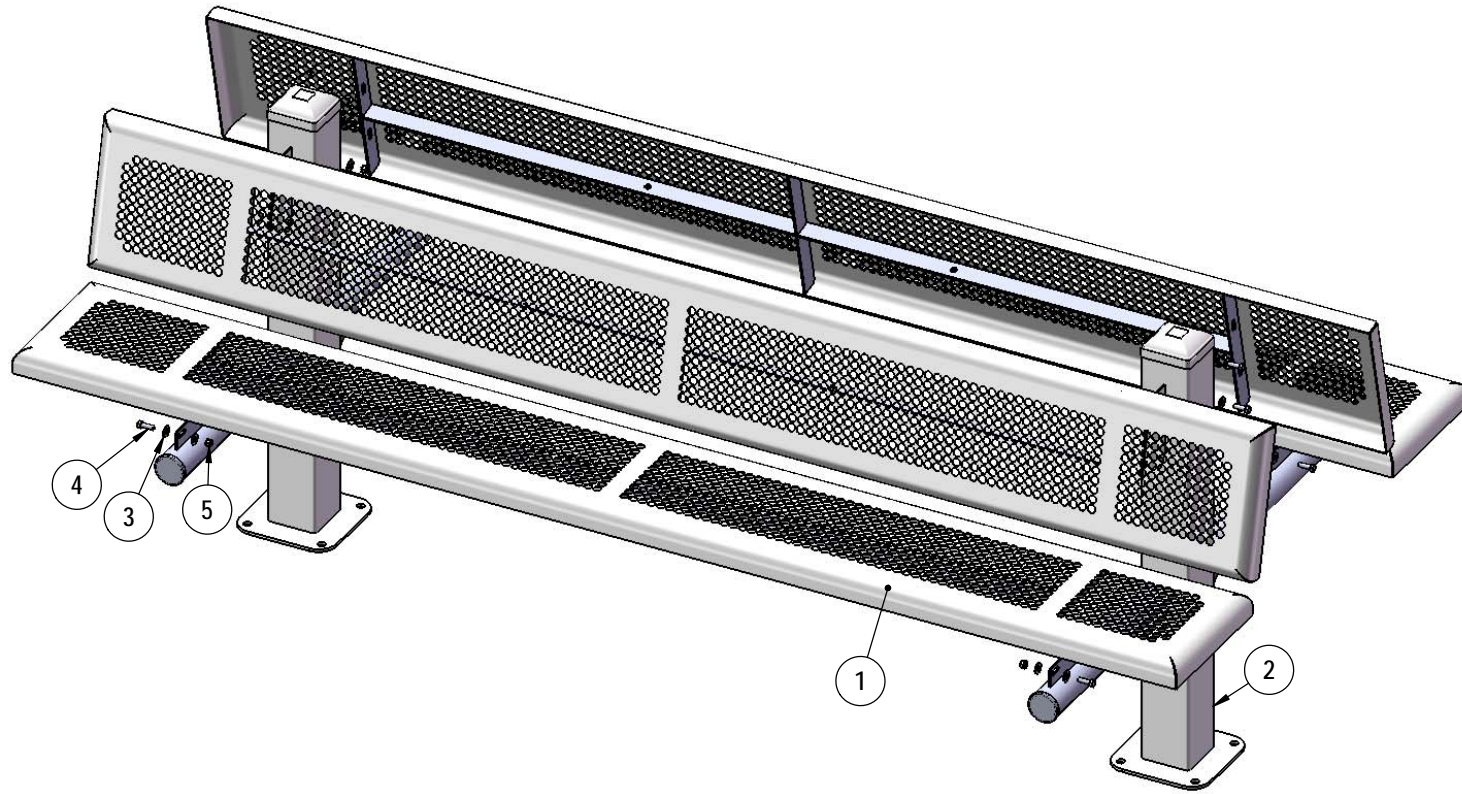
**Frame:** The main post is fabricated from 4 x 4 x 11 gauge square tubing. 2-3/8" O.D. x 12 gauge pre-galvanized structural steel tubing seat support. Seat arms are supported by a 1/4" thick, 6" gusset. Tube ends are pre-galvanized steel capped. Seat and back mounting points are 7 gauge x 1-1/2" die stamped steel flat bar. All electrically MIG welded.

**Frame Coating:** Electrostatic powder coated application oven cured.

**Hardware:** All stainless steel hardware fasteners.

**Dimensions:** 8' bench surface mount with back. Seats and backs are 12" wide x 96" long. Seat height is 18-1/2". Seat back height is 35-1/2". Total depth of seat with back is 46".

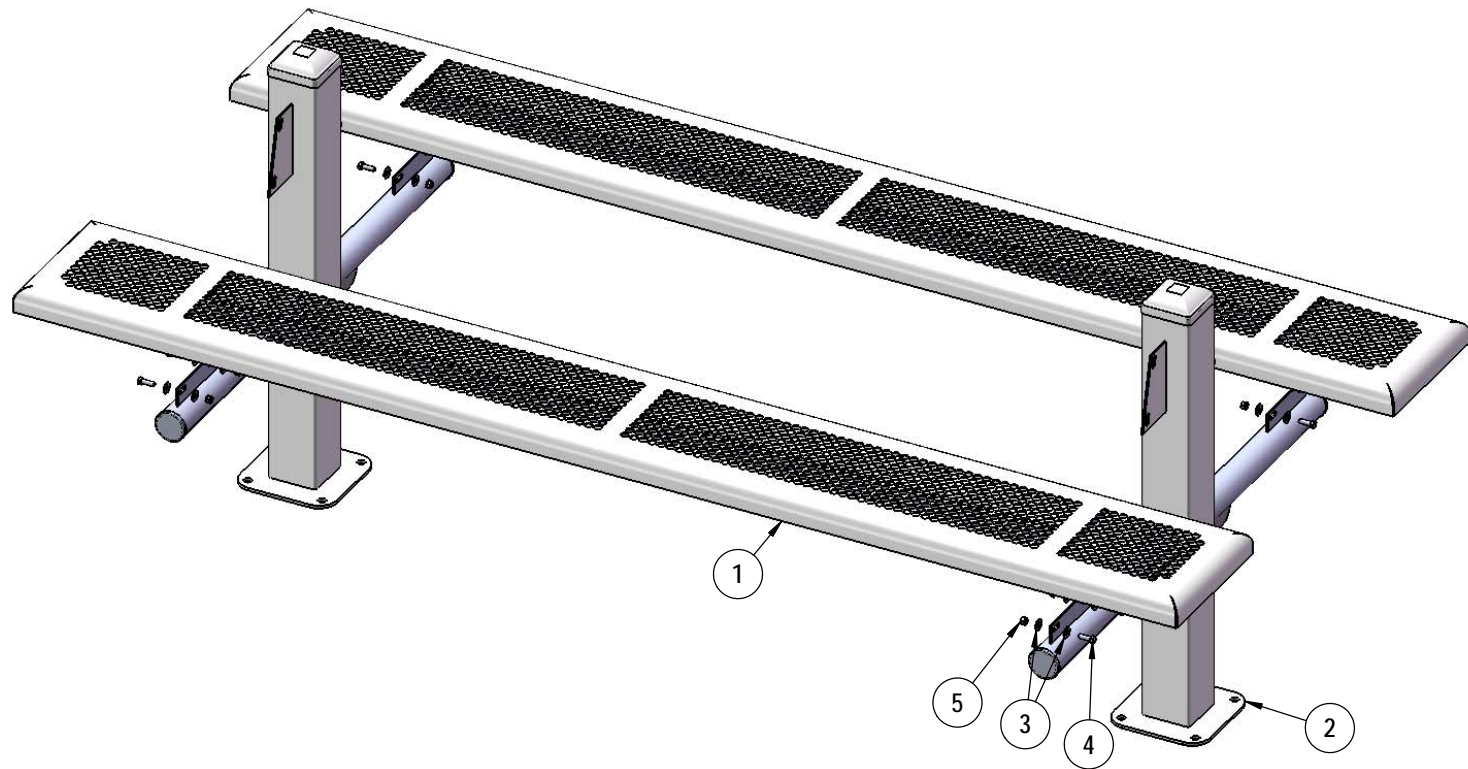
# COMPONENTS



ITEM NO.	PartNo	DESCRIPTION	QTY.
1	T-PR96-S	8' Punched Rolled Seat	4
2	P-V962SM	962 Vinyl Surface Mount Leg	2
3	33-02-0007	5/16" SS Washer	32
4	33-05-0029	5/16" x 1" Machine Bolt (SS)	16
5	33-03-0012	5/16" Kep Nut (SS)	16

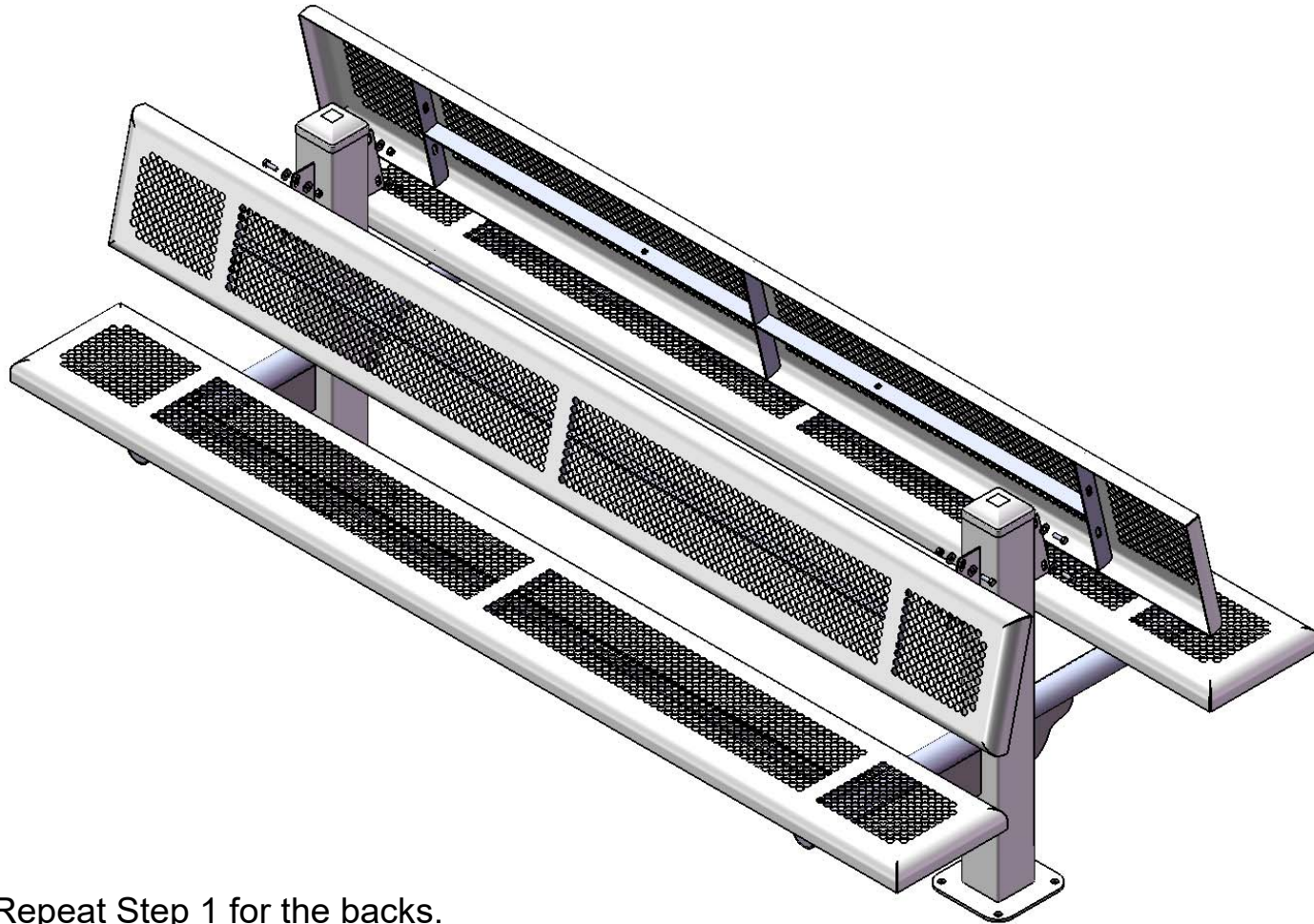
Optional Surface Mount Hardware:  
 3/8" x 3-1/2" Concrete Expansion Anchor Bolts  
 (Not Included)

# STEP 1



Attach the 8' Seats to the Legs using specified hardware.

## STEP 2



Repeat Step 1 for the backs.

# OVERALL DIMENSIONS

