

USER GROUP: 2-5 Years, 5-12 Years

RECOMMENDED CREW: 2-3 People

TOOLS REQUIRED:

- TT-30, TT-45 Torx
- Level, Square, Hammer / Mallet
- Auger / Post Hole Digger / Shovel
- Drill Bits: 21/64"
- Framing, Bracing, or Concrete Forms (Not Included)
- High Speed 3/8" Electric Drill with Clutch

NOTE: Use of any other driver may result in damage to product, tool, and/or hardware!

NOTE: Apply Thread Locking Solution to ALL Non-Patched Hardware with Threads!

INSTALLATION TIME: 2 Hours

WEIGHT: 583 lbs.

CONCRETE REQUIRED: (42) 80lb. bags - 25.0 ft³

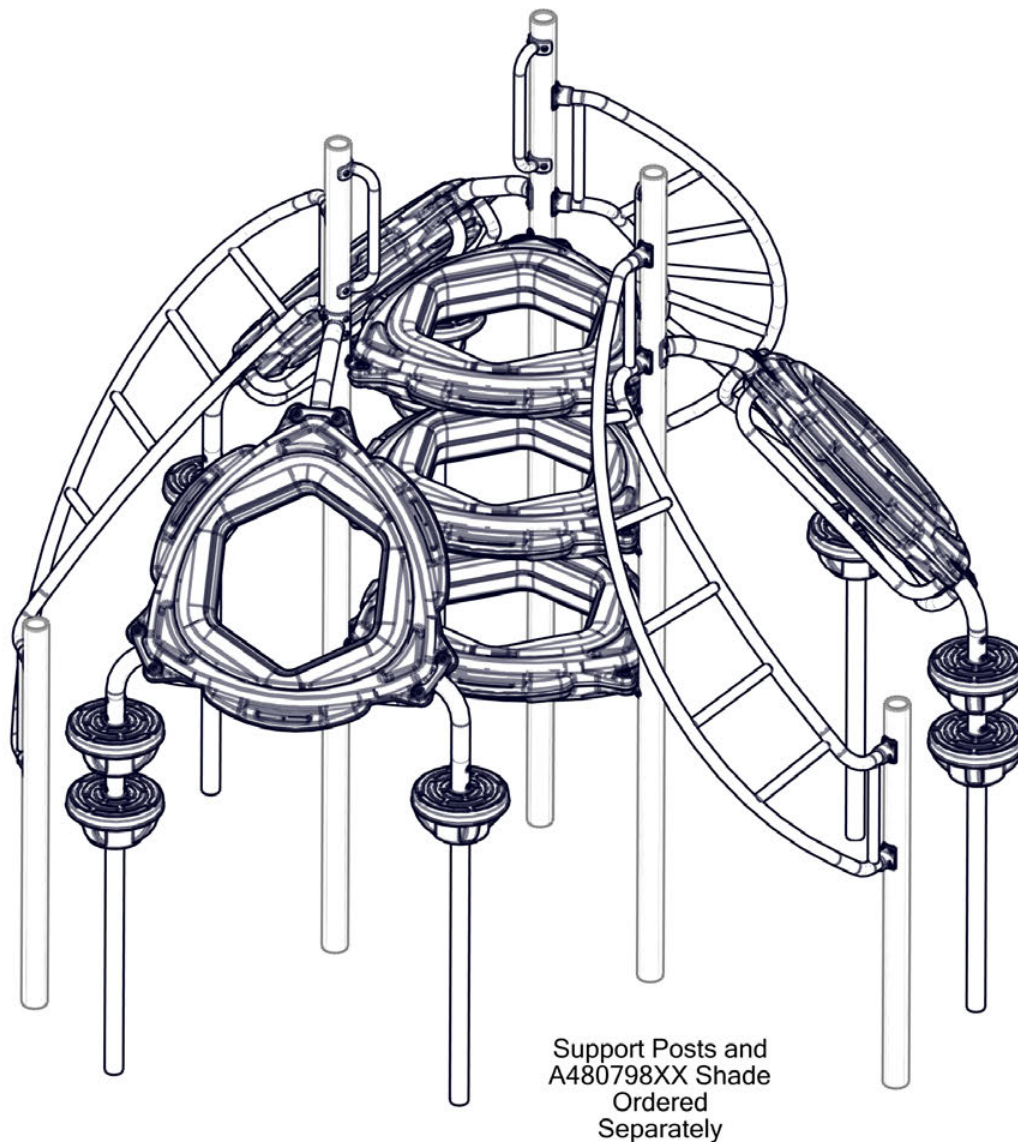
NOTE: Concrete must have a minimum rating of 2,500 psi and must be mixed per manufacturer's recommendations.

PRE-INSTALLATION CHECK:

Customer is responsible for verifying materials received by comparing received items with packing list. If any parts are missing or damaged, including documentation, contact your local sales representative immediately.

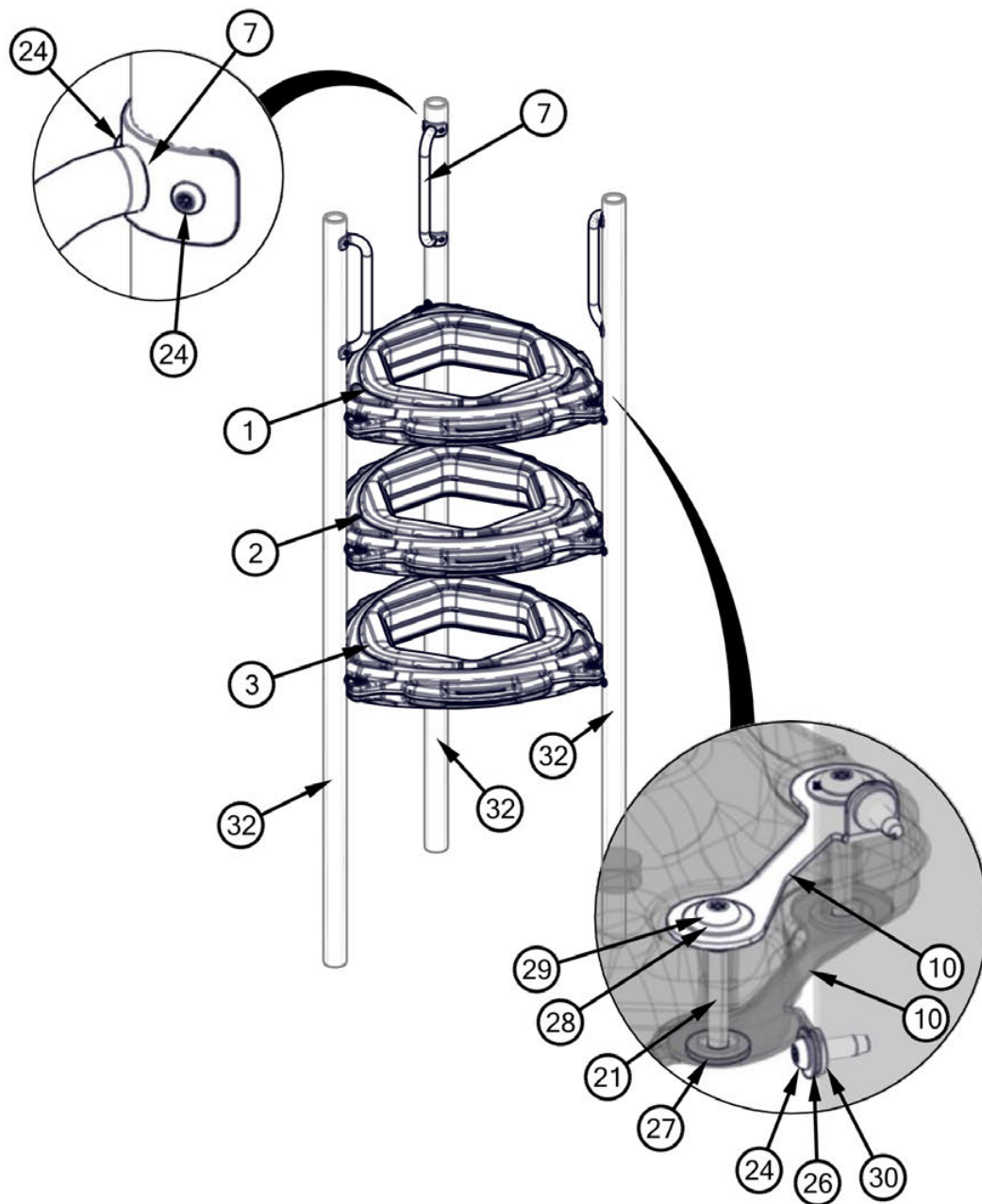
Supplier is not responsible for items discovered missing after 72 hours from time of delivery.

Before beginning installation, all installers must read and understand the Installation Introduction manual as supplied. If you did not receive a copy, or if you have any questions regarding any information in the Installation Instructions or this Installation Guideline, contact your local sales representative.



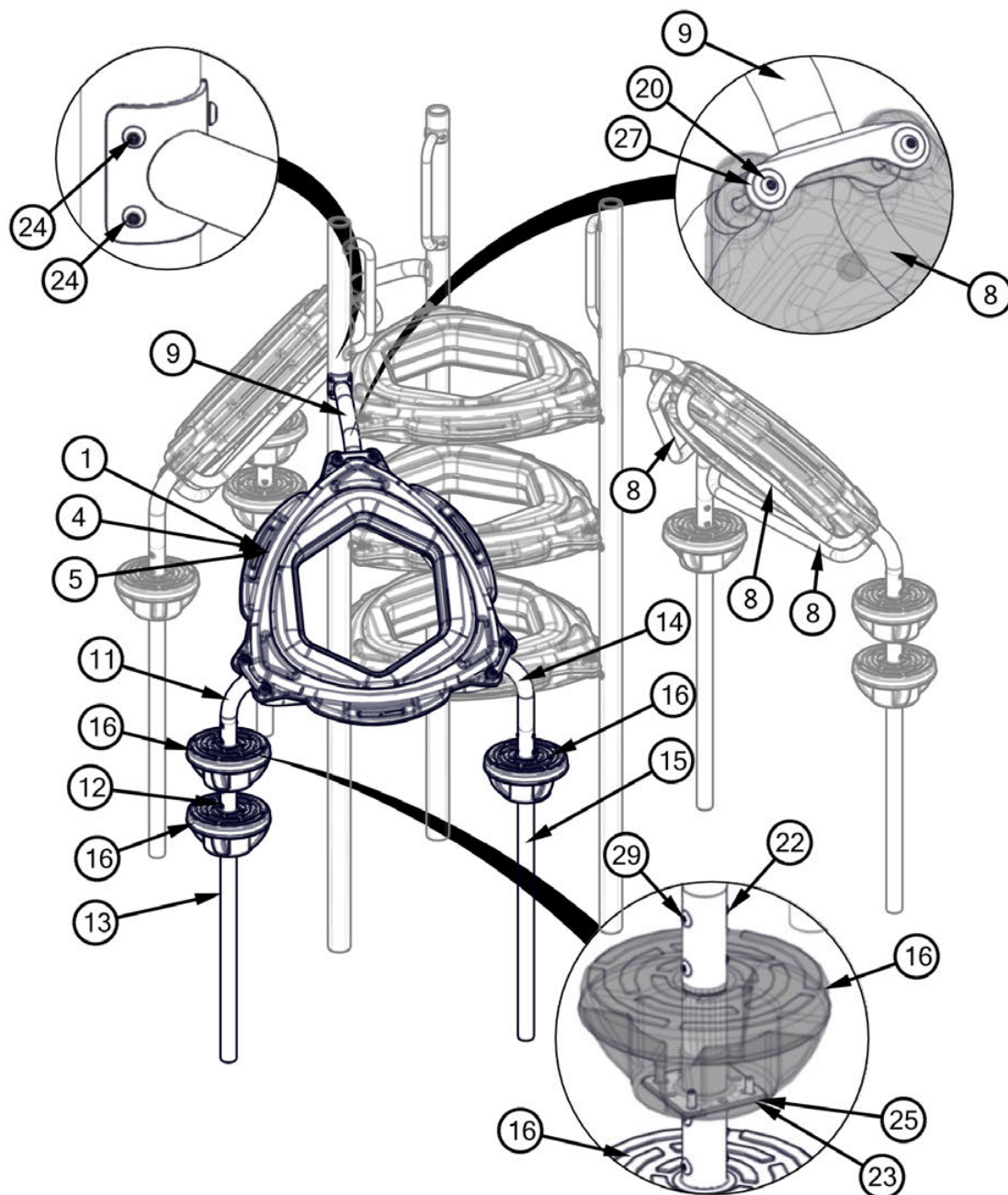
Support Posts and
A480798XX Shade
Ordered
Separately

ITEM	Part No.	QTY	DESCRIPTION
1	RMP-0136XX	2	Roto-Mold - Delta Climber Mold # SRP029
2	RMP-0136XX_S2	1	Roto-Mold - Delta Climber Mold # SRP029 (Plastic 2 Color)
3	RMP-0136XX_S3	1	Roto-Mold - Delta Climber Mold # SRP029 (Plastics 3 Color)
4	RMP-0136XX_S4	1	Roto-Mold - Delta Climber Mold # SRP029 (Plastics 4 Color)
5	RMP-0136XX_S5	1	Roto-Mold - Delta Climber Mold # SRP029 (Plastics 5 Color)
6	AFB-35581XX	3	Weldment - Ribbon Climber 3.5"/46.5" 72" Deck Height
7	AFB47663XX	3	D-Grab Handle w/3-1/2" Post Bands
8	CIN-0326XX	9	Pre Assem - Delta Support Frame (Coated)
9	AFB-36419XX	3	Weldment - Hurricane Climber Delta Support Frame 3.5" (Coated)
10	BKT-0247XX	18	3.5/5" Tetra/Delta Post Mount Bracket (COATED)
11	AFB-36375XX	3	Weldment - Hurricane Climber Stepping Stone Left Upper Support Frame (Coated)
12	AFB-36388XX	3	Weldment - Hurricane Climber Stepping Stone Left Middle Support Frame (Coated)
13	AFB-36392XX	3	Weldment - Hurricane Climber Stepping Stone Left Footer Support Frame (Coated)
14	AFB-36374XX	3	Weldment - Hurricane Climber Stepping Stone Right Upper Support Frame (Coated)
15	AFB-36386XX	3	Weldment - Hurricane Climber Stepping Stone Right Footer Support Frame (Coated)
16	RMP-0123XX	9	RotoMolded Lily Pad/Stepping Stone With 2 3/8" Center Hole
17	CTG-10015XX	12	Pipe Mount Fitting 3.5" to 1.66" (Coated)
18	HWM0169	12	Gasket Sealing 3-1/2"
19	HWS0021	60	Screw 1/4"-20 x 1" TORX Self Tapping w/Patch SS
20	HWB0249	18	Bolt 3/8"- x 3-3/4" TORX Security with Patch
21	HWB0610	18	Bolt 3/8"-16 x 2-3/4" TORX Security with Patch SS
22	HWB0296	18	Bolt 3/8"-16 x 2" TORX Security with Patch
23	HWB0286	36	Bolt 3/8"-16 x 1-1/4" TORX Security with Patch
24	HWS0081	42	Screw 3/8"-16 x 1-1/4" Self-Tapping Torx w/Patch
25	HWWR0096	36	Washer 3/8" ID x 7/8" OD x 0.11 thick Flat SS
26	HWWR0075	18	Washer 3/8" ID x 1" OD Flat - 300 Series SS
27	HWWR0092	36	Washer 3/8" ID x 1-1/4" OD x 0.12 thick Flat SS
28	HWWR0022	18	Washer 1/2" ID x 1 1/4" Flat Washer 316SS
29	HWN0128	36	Nut 3/8"-16 302 SS TORX Barrel
30	HWM0168	18	Gasket Bolt-Hole
31	Not Included	3	Post with Swaged End 190-1/4" length - 3.5"
32	Not Included	3	Post with Swaged End 204" Length - 3.5"



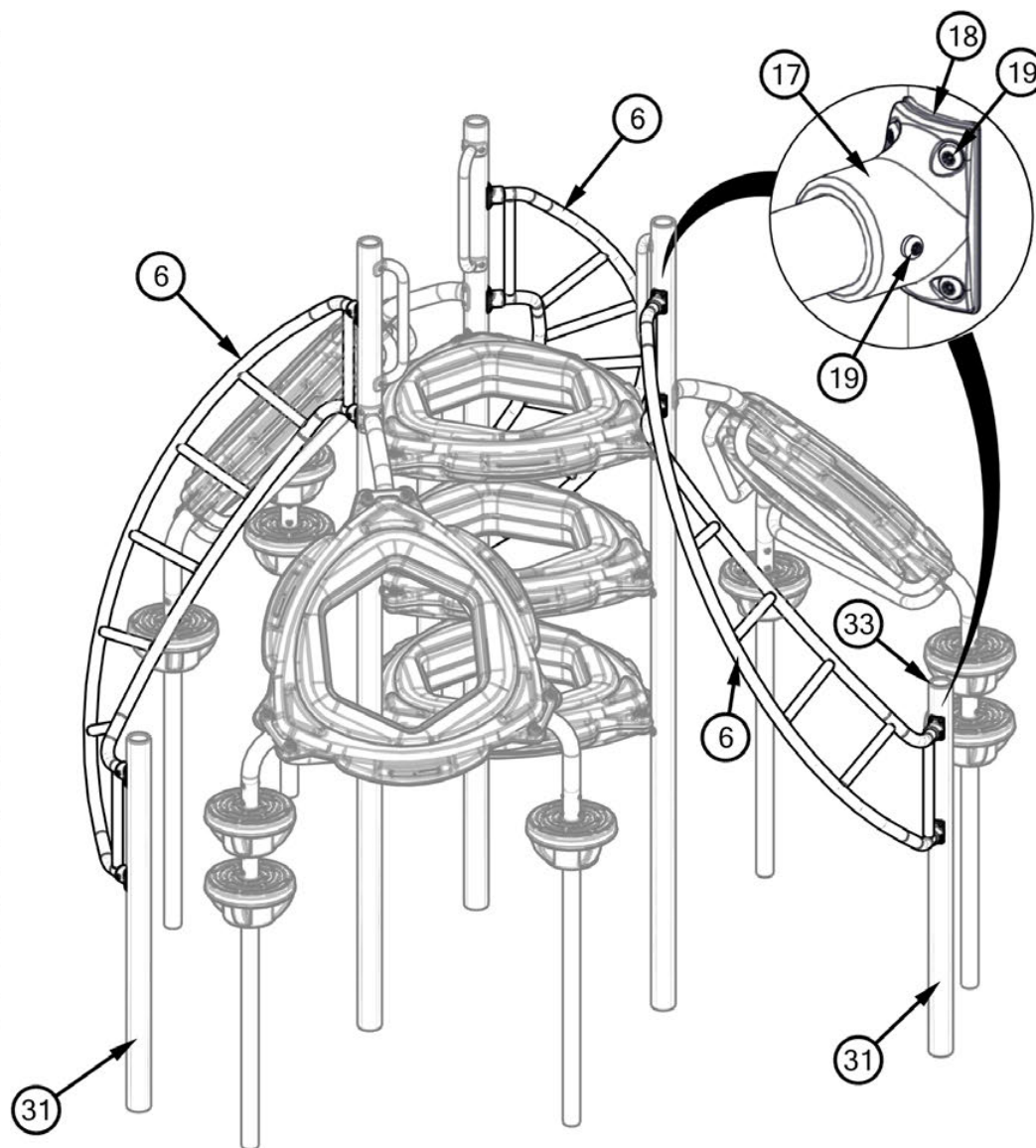
Support Posts and
A480798XX Shade
Ordered
Separately

ITEM	Part No.	QTY	DESCRIPTION
1	RMP-0136XX	2	Roto-Mold - Delta Climber Mold # SRP029
2	RMP-0136XX_S2	1	Roto-Mold - Delta Climber Mold # SRP029 (Plastic 2 Color)
3	RMP-0136XX_S3	1	Roto-Mold - Delta Climber Mold # SRP029 (Plastics 3 Color)
4	RMP-0136XX_S4	1	Roto-Mold - Delta Climber Mold # SRP029 (Plastics 4 Color)
5	RMP-0136XX_S5	1	Roto-Mold - Delta Climber Mold # SRP029 (Plastics 5 Color)
6	AFB-35581XX	3	Weldment - Ribbon Climber 3.5"/46.5" 72" Deck Height
7	AFB47663XX	3	D-Grab Handle w/3-1/2" Post Bands
8	CIN-0326XX	9	Pre Assem - Delta Support Frame (Coated)
9	AFB-36419XX	3	Weldment - Hurricane Climber Delta Support Frame 3.5" (Coated)
10	BKT-0247XX	18	3.5/5" Tetra/Delta Post Mount Bracket (COATED)
11	AFB-36375XX	3	Weldment - Hurricane Climber Stepping Stone Left Upper Support Frame (Coated)
12	AFB-36388XX	3	Weldment - Hurricane Climber Stepping Stone Left Middle Support Frame (Coated)
13	AFB-36392XX	3	Weldment - Hurricane Climber Stepping Stone Left Footer Support Frame (Coated)
14	AFB-36374XX	3	Weldment - Hurricane Climber Stepping Stone Right Upper Support Frame (Coated)
15	AFB-36386XX	3	Weldment - Hurricane Climber Stepping Stone Right Footer Support Frame (Coated)
16	RMP-0123XX	9	RotoMolded Lily Pad/Stepping Stone With 2 3/8" Center Hole
17	CTG-10015XX	12	Pipe Mount Fitting 3.5" to 1.66" (Coated)
18	HWM0169	12	Gasket Sealing 3-1/2"
19	HWS0021	60	Screw 1/4"-20 x 1" TORX Self Tapping w/Patch SS
20	HWB0249	18	Bolt 3/8" - x 3-3/4" TORX Security with Patch
21	HWB0610	18	Bolt 3/8"-16 x 2-3/4" TORX Security with Patch SS
22	HWB0296	18	Bolt 3/8"-16 x 2" TORX Security with Patch
23	HWB0286	36	Bolt 3/8"-16 x 1-1/4" TORX Security with Patch
24	HWS0081	42	Screw 3/8"-16 x 1-1/4" Self-Tapping Torx w/Patch
25	HWWR0096	36	Washer 3/8" ID x 7/8" OD x 0.11 thick Flat SS
26	HWWR0075	18	Washer 3/8" ID x 1" OD Flat - 300 Series SS
27	HWWR0092	36	Washer 3/8" ID x 1-1/4" OD x 0.12 thick Flat SS
28	HWWR0022	18	Washer 1/2" ID x 1 1/4" Flat Washer 316SS
29	HWN0128	36	Nut 3/8"-16 302 SS TORX Barrel
30	HWM0168	18	Gasket Bolt-Hole
31	Not Included	3	Post with Swaged End 190-1/4" length - 3.5"
32	Not Included	3	Post with Swaged End 204" Length - 3.5"



Support Posts and
A480798XX Shade
Ordered
Separately

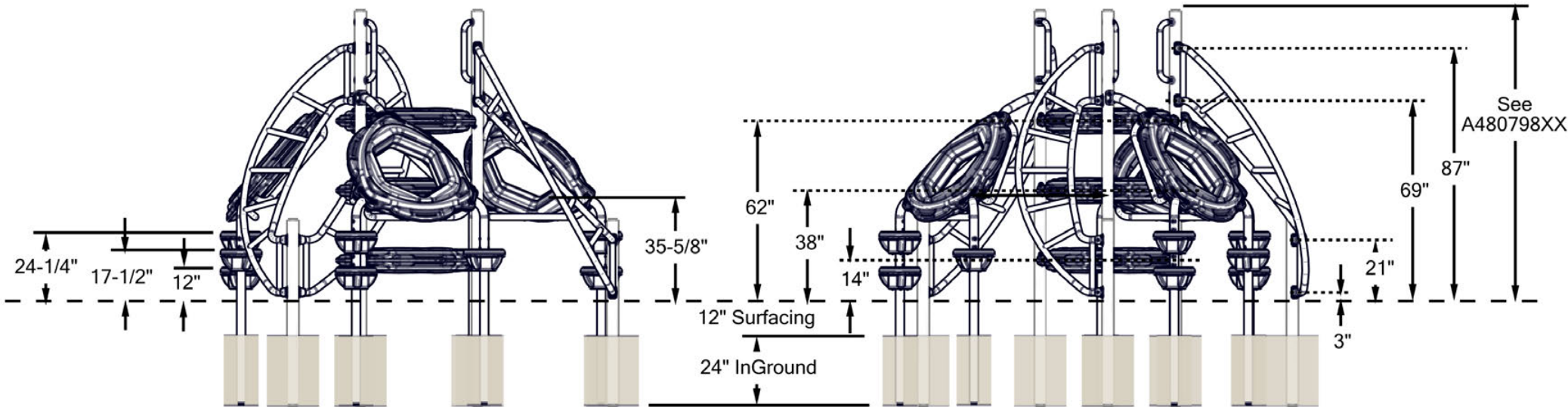
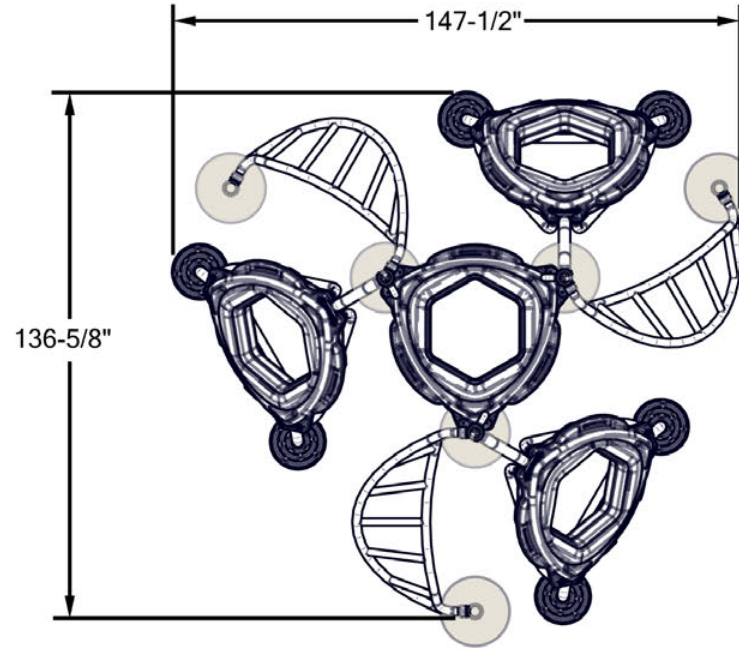
ITEM	Part No.	QTY	DESCRIPTION
1	RMP-0136XX	2	Roto-Mold - Delta Climber Mold # SRP029
2	RMP-0136XX_S2	1	Roto-Mold - Delta Climber Mold # SRP029 (Plastic 2 Color)
3	RMP-0136XX_S3	1	Roto-Mold - Delta Climber Mold # SRP029 (Plastics 3 Color)
4	RMP-0136XX_S4	1	Roto-Mold - Delta Climber Mold # SRP029 (Plastics 4 Color)
5	RMP-0136XX_S5	1	Roto-Mold - Delta Climber Mold # SRP029 (Plastics 5 Color)
6	AFB-35581XX	3	Weldment - Ribbon Climber 3.5"/46.5" 72" Deck Height
7	AFB47663XX	3	D-Grab Handle w/3-1/2" Post Bands
8	CIN-0326XX	9	Pre Assem - Delta Support Frame (Coated)
9	AFB-36419XX	3	Weldment - Hurricane Climber Delta Support Frame 3.5" (Coated)
10	BKT-0247XX	18	3.5/5" Tetra/Delta Post Mount Bracket (COATED)
11	AFB-36375XX	3	Weldment - Hurricane Climber Stepping Stone Left Upper Support Frame (Coated)
12	AFB-36388XX	3	Weldment - Hurricane Climber Stepping Stone Left Middle Support Frame (Coated)
13	AFB-36392XX	3	Weldment - Hurricane Climber Stepping Stone Left Footer Support Frame (Coated)
14	AFB-36374XX	3	Weldment - Hurricane Climber Stepping Stone Right Upper Support Frame (Coated)
15	AFB-36386XX	3	Weldment - Hurricane Climber Stepping Stone Right Footer Support Frame (Coated)
16	RMP-0123XX	9	RotoMolded Lily Pad/Stepping Stone With 2 3/8" Center Hole
17	CTG-10015XX	12	Pipe Mount Fitting 3.5" to 1.66" (Coated)
18	HWM0169	12	Gasket Sealing 3-1/2"
19	HWS0021	60	Screw 1/4"-20 x 1" TORX Self Tapping w/Patch SS
20	HWB0249	18	Bolt 3/8"- x 3-3/4" TORX Security with Patch
21	HWB0610	18	Bolt 3/8"-16 x 2-3/4" TORX Security with Patch SS
22	HWB0296	18	Bolt 3/8"-16 x 2" TORX Security with Patch
23	HWB0286	36	Bolt 3/8"-16 x 1-1/4" TORX Security with Patch
24	HWS0081	42	Screw 3/8"-16 x 1-1/4" Self-Tapping Torx w/Patch
25	HWWR0096	36	Washer 3/8" ID x 7/8" OD x 0.11 thick Flat SS
26	HWWR0075	18	Washer 3/8" ID x 1" OD Flat - 300 Series SS
27	HWWR0092	36	Washer 3/8" ID x 1-1/4" OD x 0.12 thick Flat SS
28	HWWR0022	18	Washer 1/2" ID x 1 1/4" Flat Washer 316SS
29	HWN0128	36	Nut 3/8"-16 302 SS TORX Barrel
30	HWM0168	18	Gasket Bolt-Hole
31	Not Included	3	Post with Swaged End 190-1/4" length - 3.5"
32	Not Included	3	Post with Swaged End 204" Length - 3.5"



Support Posts and
A480798XX Shade
Ordered
Separately

REFERENCE VIEWS AND DIMENSIONS

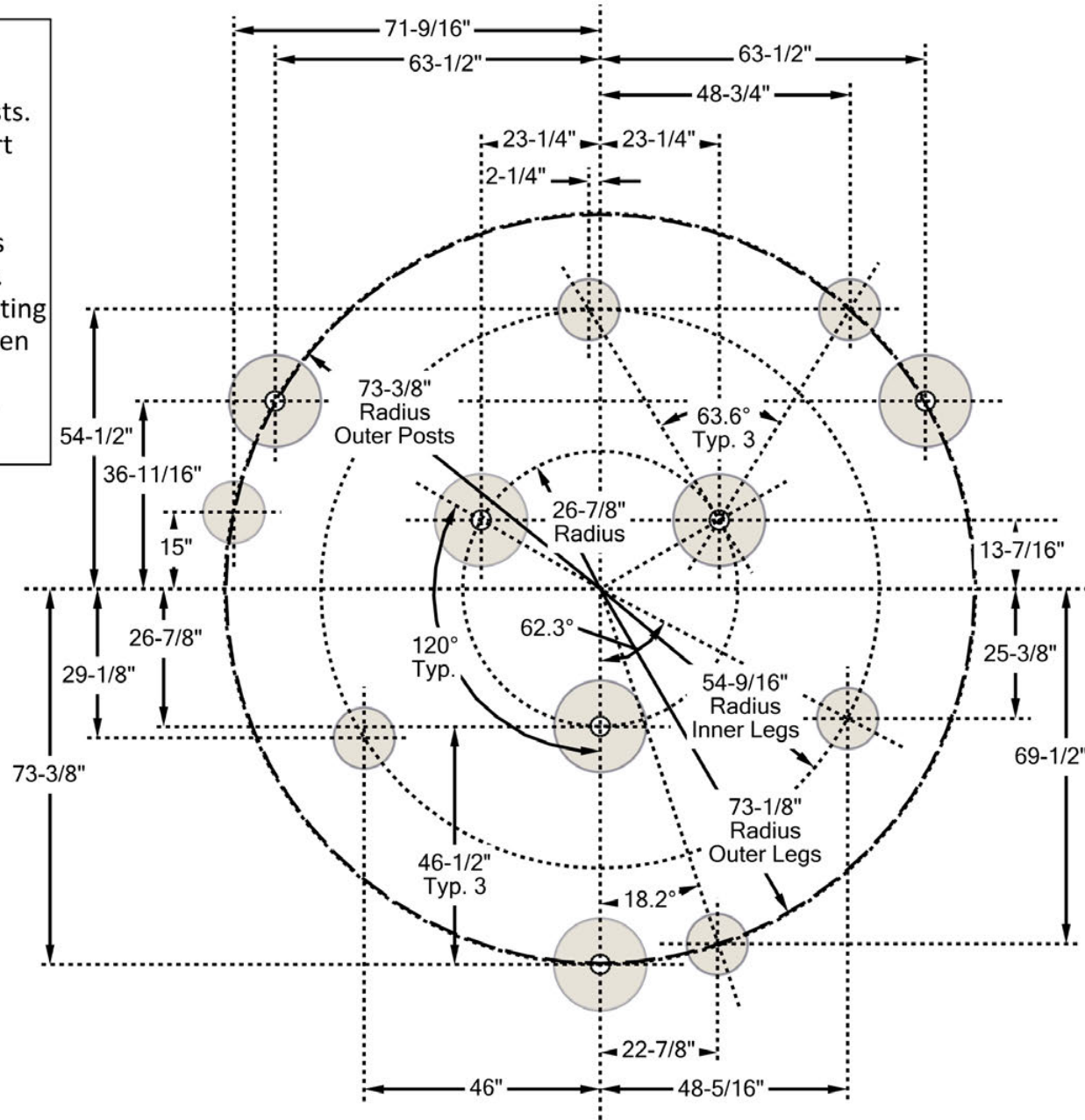
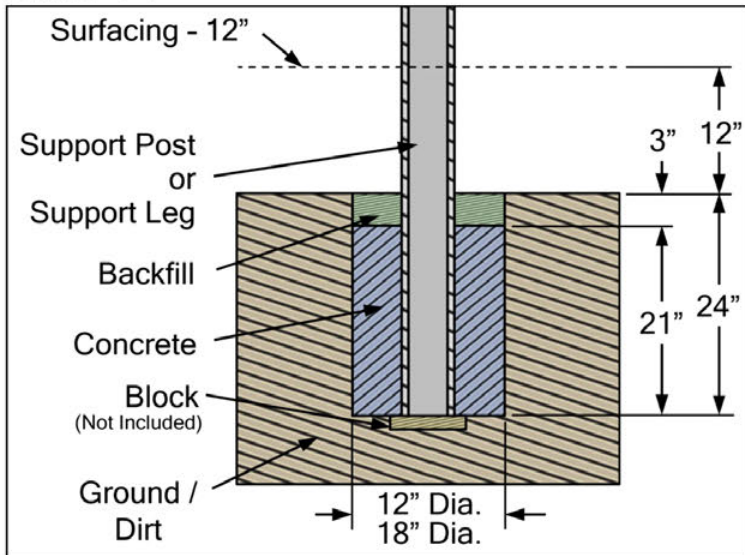
See A480798XX Install for Support Post Details.



STEP 1

Prepare footing holes. Refer to site plan drawing and site elevation drawing for placement of all support posts. Installer is responsible for proper location of all support posts. Footing hole spacing is shown at right. Footing holes for support posts must be 18" diameter and 24" deep plus 12" surfacing. Footing holes for support legs must be 12" diameter and 24" deep plus 12" surfacing. Place one block (not included) into bottom of each footing hole. See Detail 1-1. If surfacing is less than 12", deepen footing holes as needed. **DO NOT ADD CONCRETE.** Footing holes will be completed at STEP 9. Proceed to STEP 2.

Detail 1-1

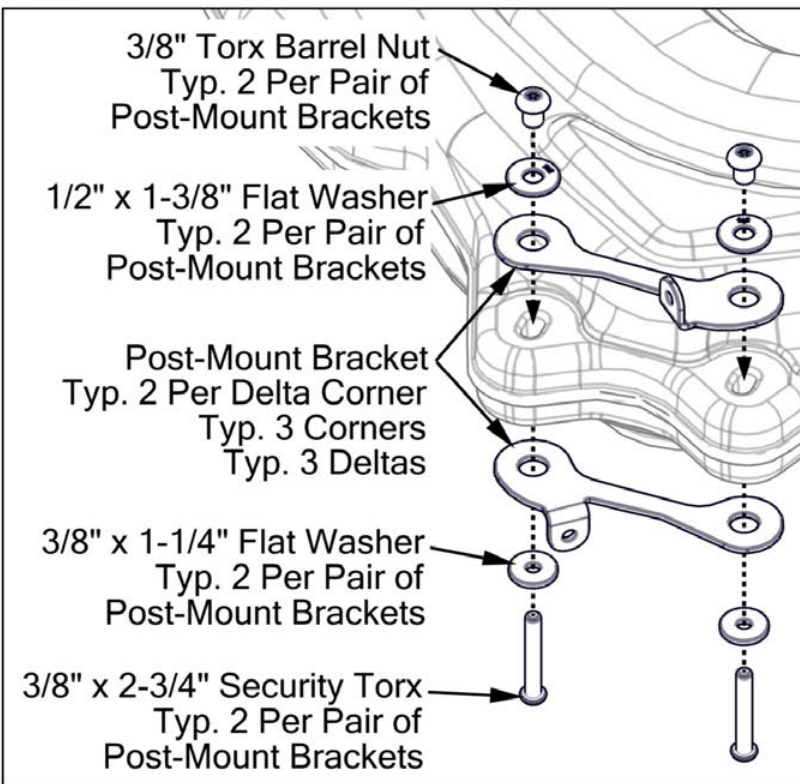


STEP 2

**** DO NOT Fully Tighten Hardware. Hardware will be tightened after structure is fully assembled. ****

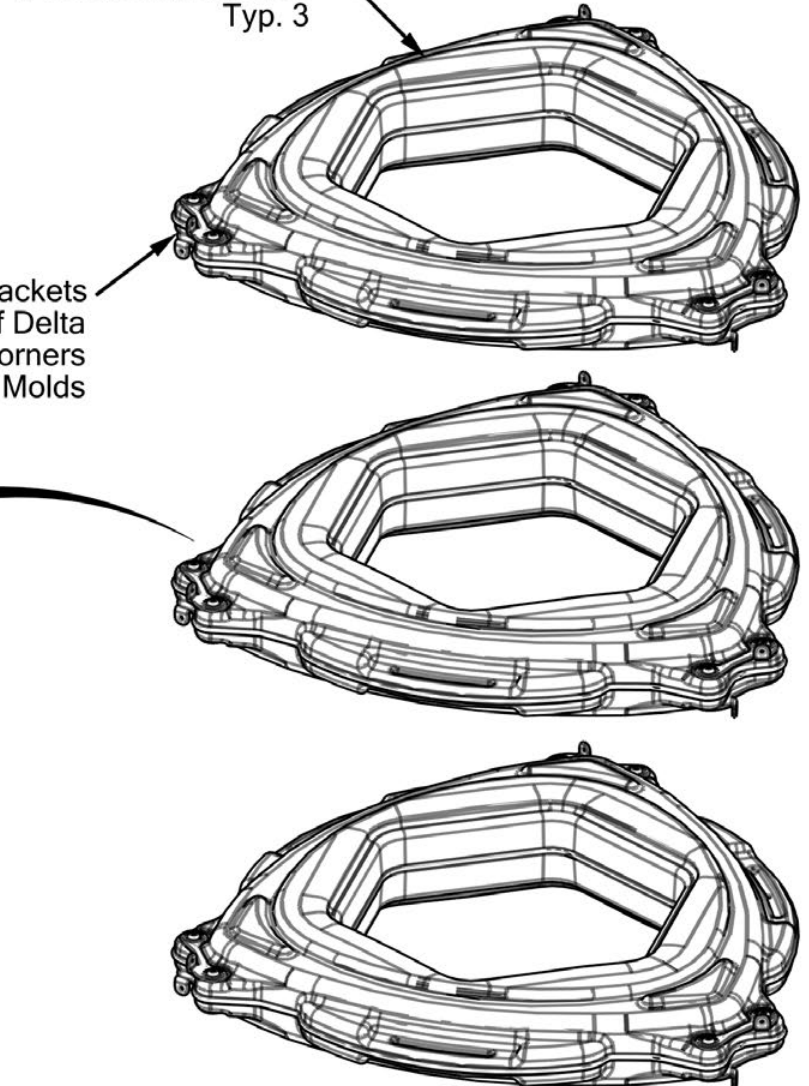
Mount six (6) post-mount brackets to one (1) delta mold. Align holes in two (2) post-mount brackets with slots through delta corner. Secure brackets together through delta with two (2) 3/8" x 2-3/4" security Torx, two (2) 3/8" x 1-1/4" flat washers, two (2) 1/2" x 1-3/8" flat washers, and two (2) 3/8" Torx barrel nuts. See Detail 2-1. Repeat for two (2) additional corners of delta. Repeat STEP 2 for two (2) additional delta molds.

Detail 2-1



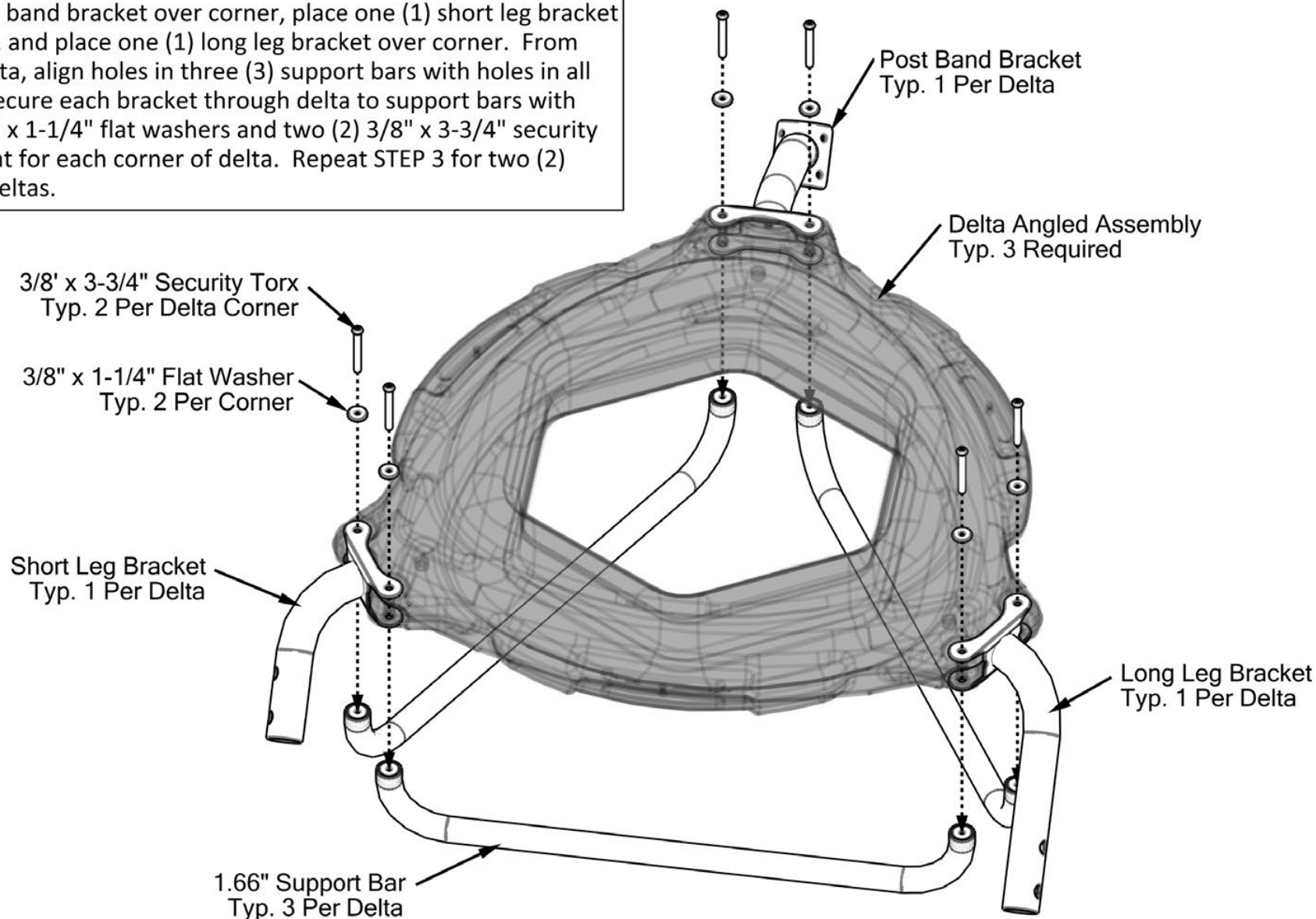
Delta Mold with
Post-Mount Brackets
Typ. 3

Post-Mount Brackets
Typ. 2 Per Corner of Delta
Typ. 3 Corners
Typ. 3 Delta Molds



STEP 3

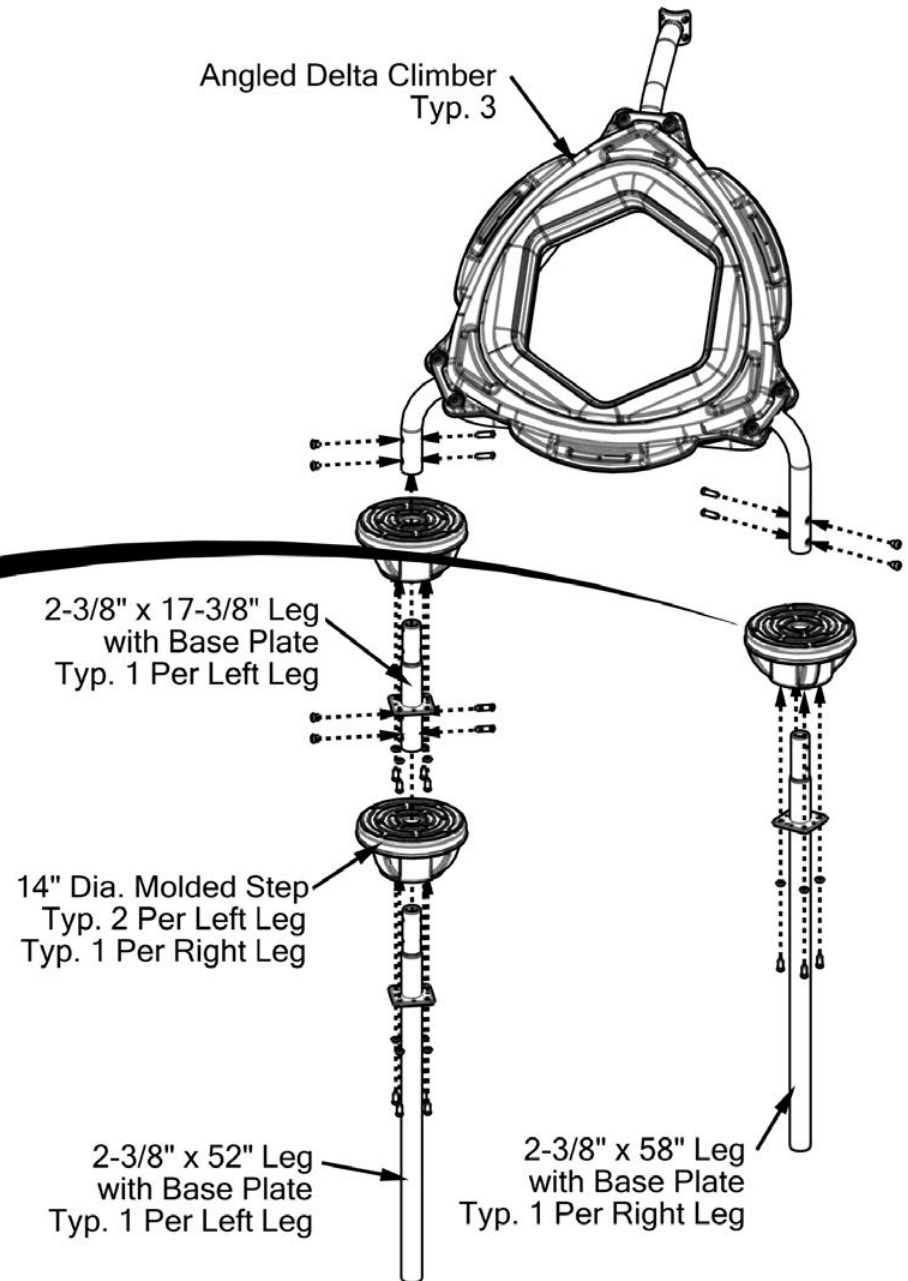
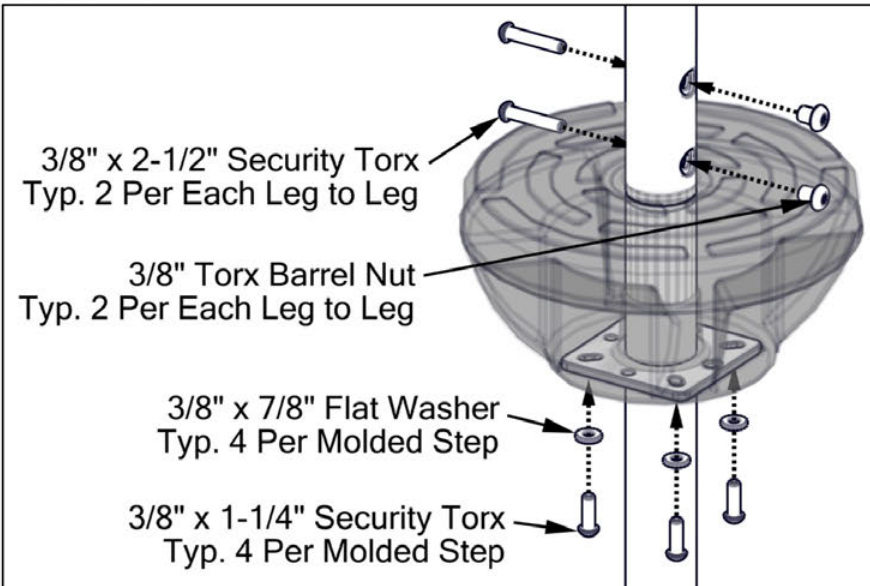
Assemble three (3) angled delta climbers. For one (1) delta, place one (1) post band bracket over corner, place one (1) short leg bracket over corner, and place one (1) long leg bracket over corner. From beneath delta, align holes in three (3) support bars with holes in all brackets. Secure each bracket through delta to support bars with two (2) 3/8" x 1-1/4" flat washers and two (2) 3/8" x 3-3/4" security Torx. Repeat for each corner of delta. Repeat STEP 3 for two (2) additional deltas.



STEP 4

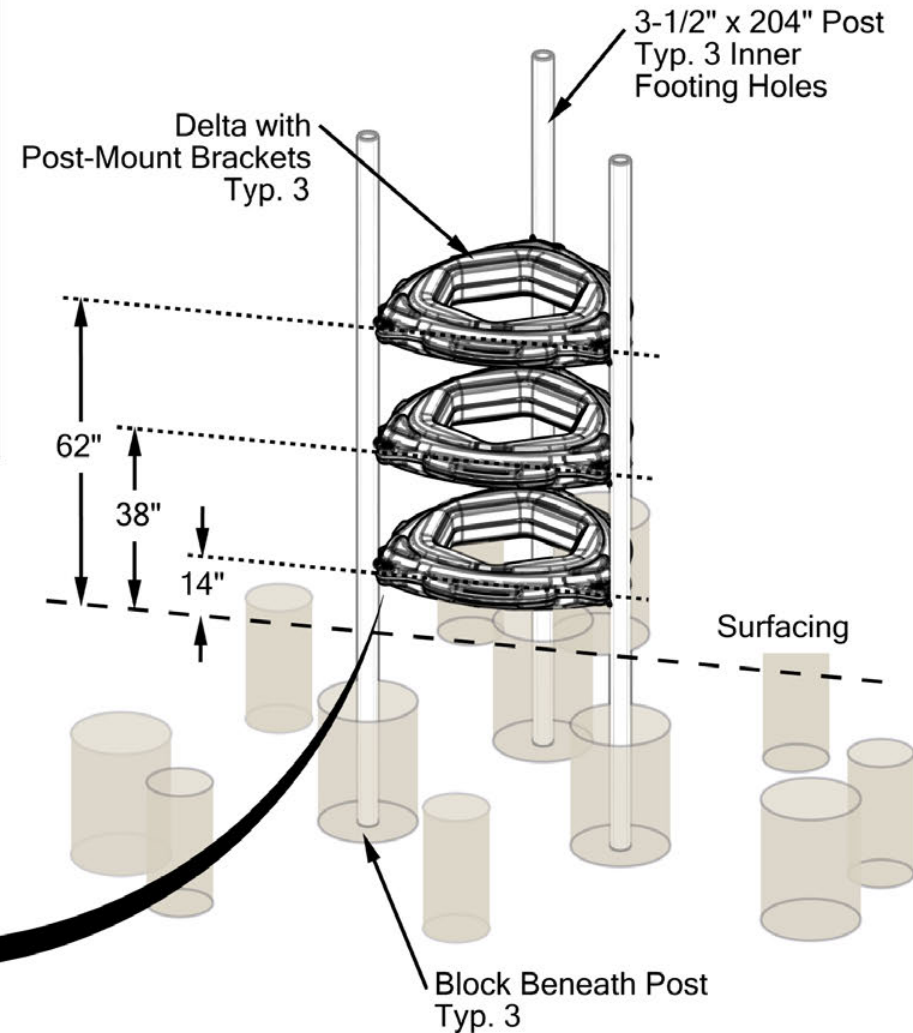
Mount support legs to angled delta climbers. Left leg requires one (1) 2-3/8" x 58" leg with base plate and one (1) 14" molded step. Right leg requires one (1) 2-3/8" x 52" leg with base plate, one (1) 2-3/8" x 17-3/8" leg with base plate, and two (2) 14" molded steps. For each support leg, insert swaged end of leg into mating tube. Align holes in leg with holes in mating tube. Secure leg to mating tube with two (2) 3/8" x 2-1/4" security Torx and two (3) 3/8" Torx barrel nuts. Secure each molded step to mating base plate with four (4) 3/8" x 7/8" flat washers and four (4) 3/8" x 1-1/4" security Torx. See Detail 4-1 for typical connections. Repeat STEP 4 for two (2) additional angled delta climber assemblies.

Detail 4-1

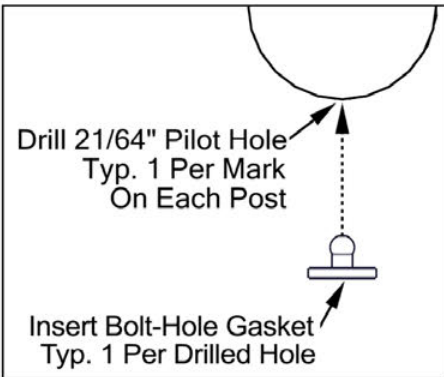


STEP 5

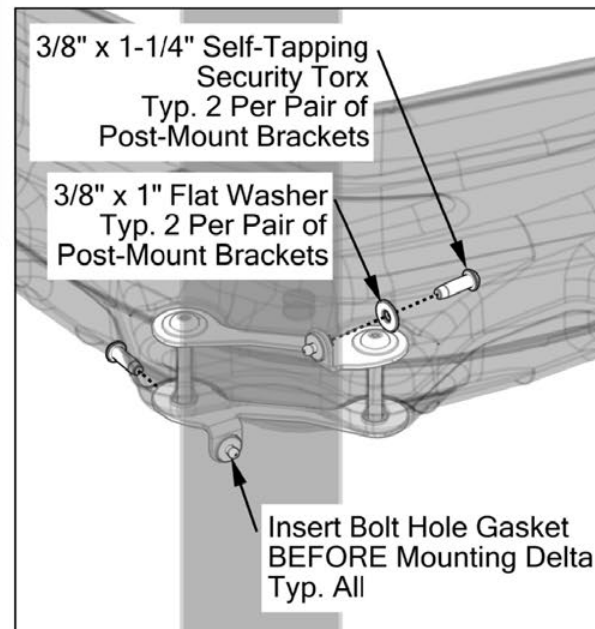
Place three (3) 3-1/2" x 204" support posts into inner footing holes. See install for A480798XX for support post details. Place one (1) delta with post-mount brackets between posts. Ensure delta is level in all directions. Mark support post through holes in post-mount brackets. For each corner of each delta, drill two (2) 21/64" pilot holes into post. Insert two (2) bolt hole gaskets into holes. See Detail 5-1. Replace delta with post-mount brackets. Secure each corner of delta to support post with two (2) 3/8" x 1" flat washers and two (2) 3/8" x 1-1/4" self-tapping security Torx. See Detail 5-2. Repeat for all corners of delta. Repeat STEP 5 for two (2) remaining delta with post-mount bracket assemblies. Delta elevations from surfacing to center of deltas are shown at right.



Detail 5-1



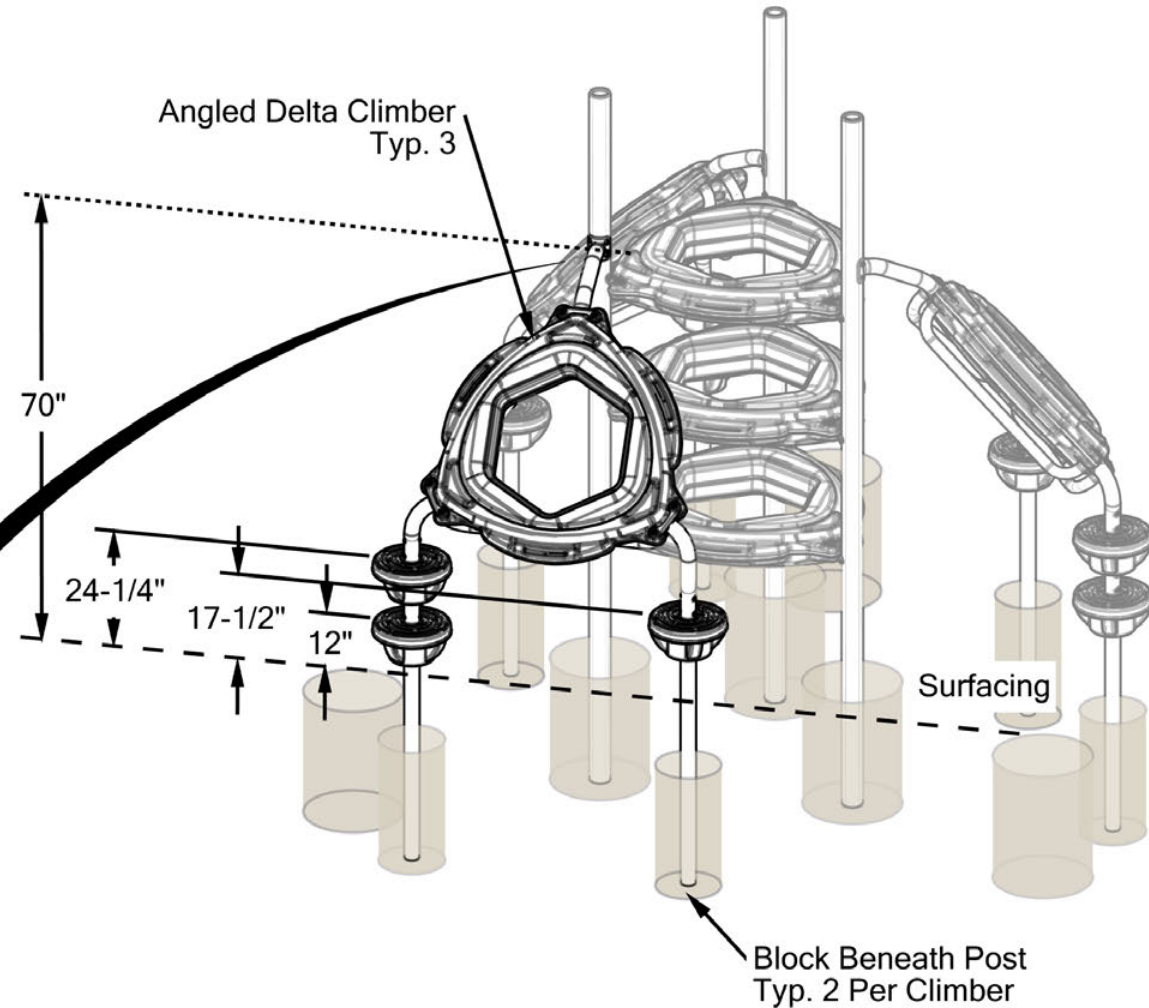
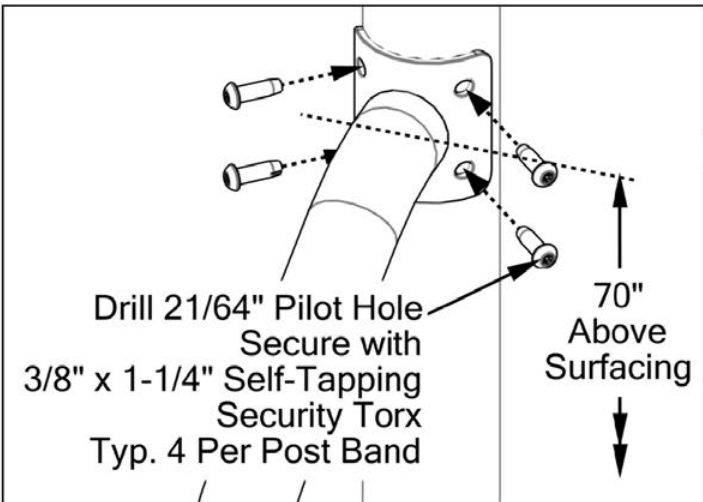
Detail 5-2



STEP 6

Mount angled delta climbers to inner support posts. Place one (1) angled delta climber into footing holes. Ensure blocks are beneath legs. Ensure support legs are plumb. Place climber post band against inner support post. Center of post band should be 70" above surfacing. Elevation of molded steps are shown at right. Review Page 5 (Reference Views and Dimensions) to verify climber position. At post band, drill four (4) 21/64" pilot holes through holes in post band and into inner support post. Secure with four (4) 3/8" x 1-1/4" self-tapping security Torx. See Detail 6-1. Repeat STEP 6 for two (2) additional angled delta climbers.

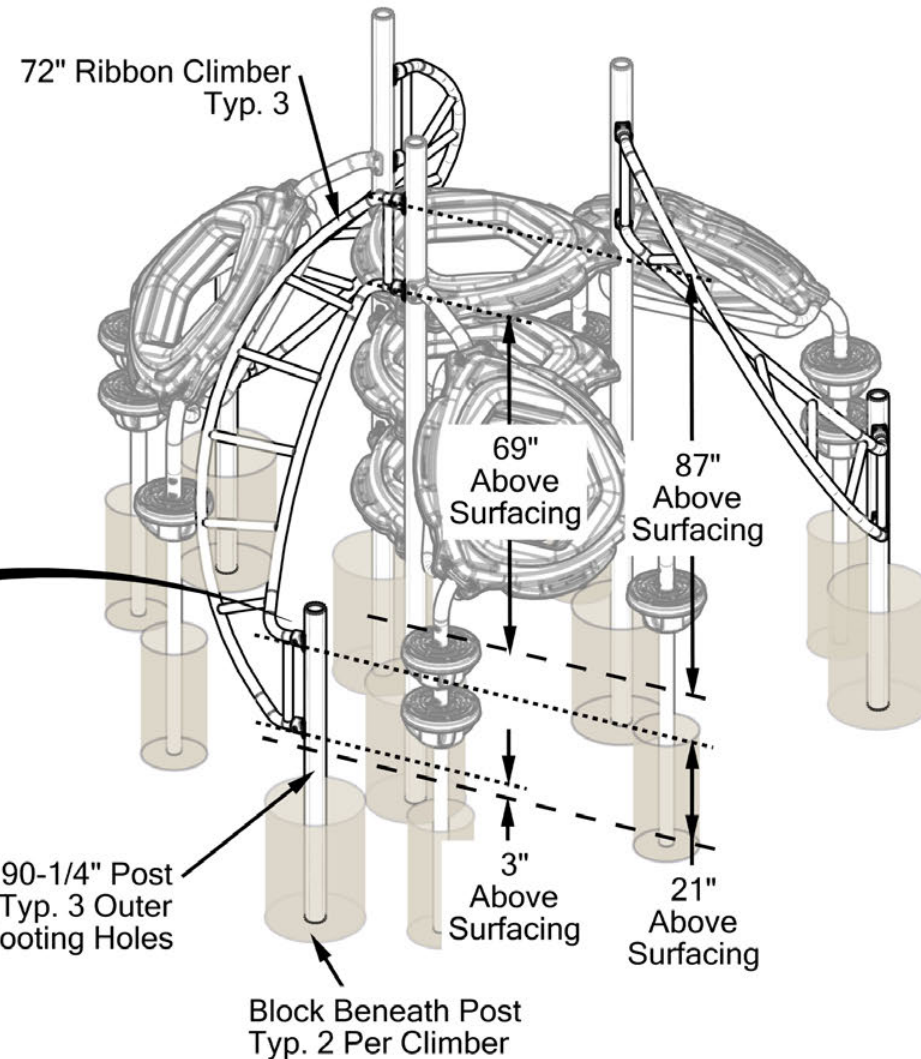
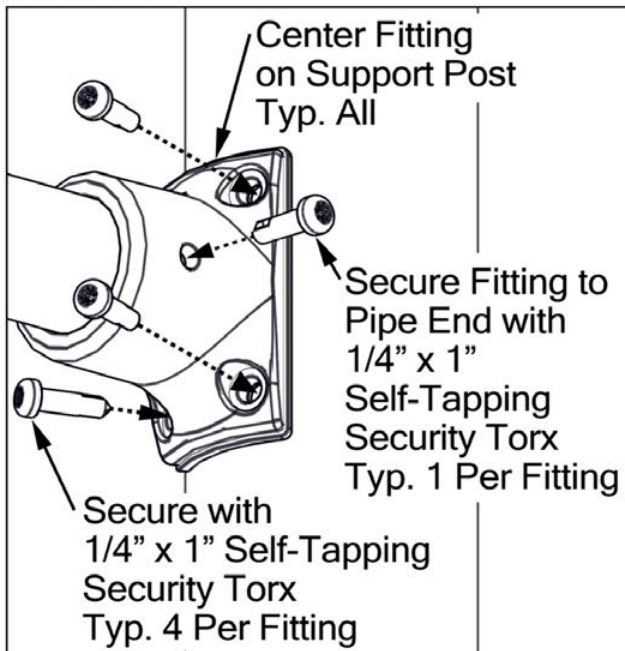
Detail 6-1



STEP 7

Place three (3) 3-1/2" x 190-1/4" support posts into outer footing holes. See install for A480798XX for support post details. Mount sealing gaskets to 1.66" pipe fittings. Remove adhesive backing from sealing gasket. Ensure gasket is square and centered on fitting. Place gasket with lip facing fitting. See Detail 7-1. Repeat for all 1.66" pipe fittings. Place one (1) 1.66" pipe fitting onto four (4) pipe ends of one (1) ribbon climber. Place fittings against inner and outer support posts. Review Page 5 (Reference Views and Dimensions) to verify climber position. Elevation of fittings are shown at right. Ensure fittings are square and centered on posts. At each fitting, secure fitting to post with four (4) 1/4" x 1" self-tapping security Torx. Ensure climber is fully inserted into fittings. Secure fitting to climber with one (1) 1/4" x 1" self-tapping security Torx. See Detail 7-2. Repeat STEP 7 for two (2) additional ribbon climbers.

Detail 7-1

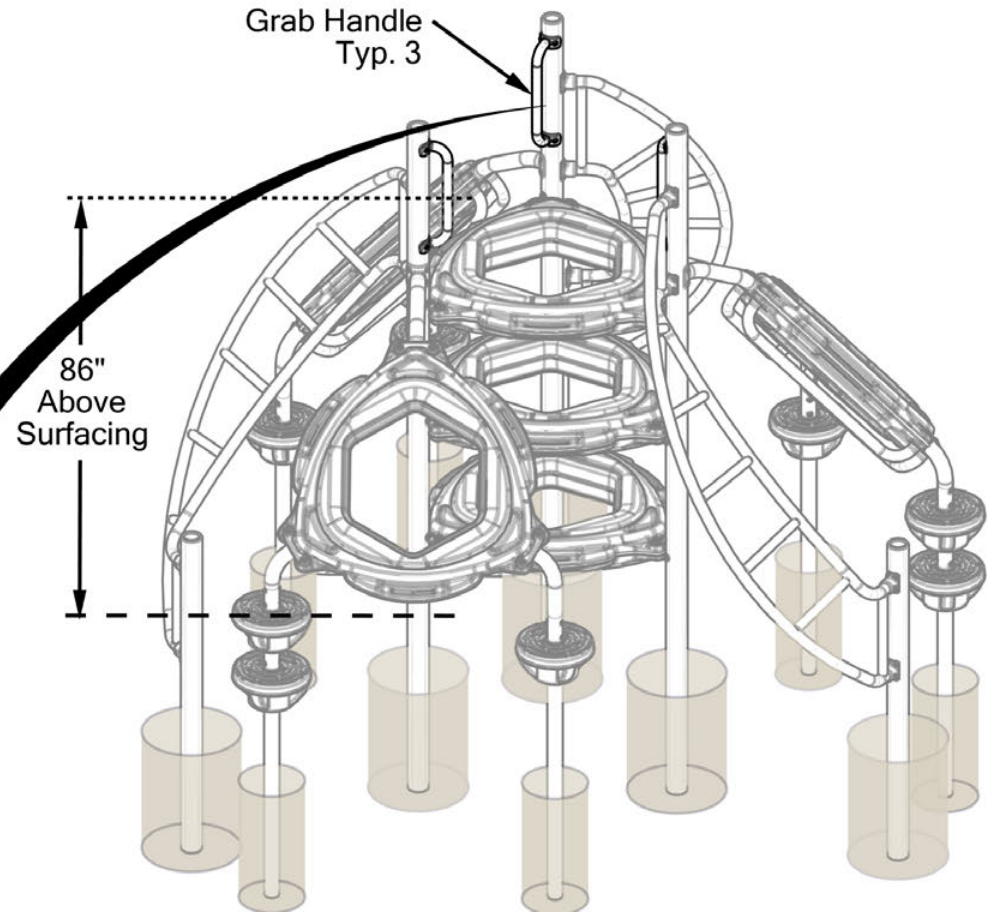
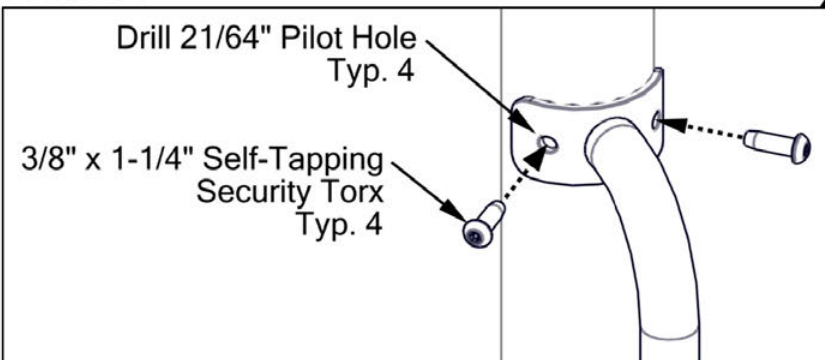


STEP 8

Mount grab handles to inner support posts. Place one (1) grab handle against inner support post. Center of handle should be 86" above surfacing. Handle should be set 90° from angled delta climber. Drill four (4) 21/64" pilot holes through holes in grab handle bands and into support post. Secure with four (4) 3/8" x 1-1/4" self-tapping security Torx. See Detail 8-1. Repeat STEP 8 for two (2) additional grab handles and inner support posts.

**** TIGHTEN ALL HARDWARE NOW ****

Detail 8-1



**** TIGHTEN ALL HARDWARE NOW ****

STEP 9

Complete setting of footing holes. Ensure blocks are beneath posts. Fill footing holes with concrete to within 3" from ground surface. Allow concrete to cure based upon manufacturer's instructions. Backfill footing holes with dirt, flush with grade. See Detail 9-1 for footing hole details. Check all connections and ensure structure is stable. All concrete must be fully cured before use of structure. Installation is complete. Place one (1) Age Appropriate Sticker on structure in a clearly visible location.

Detail 9-1

