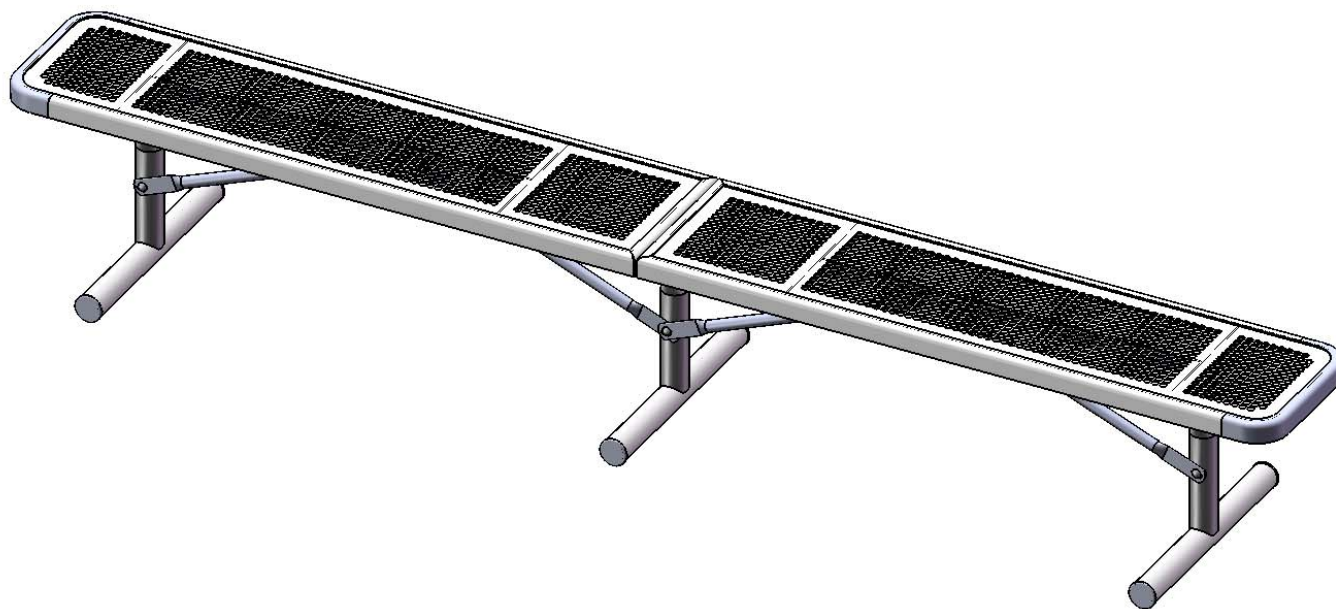


Site Amenities

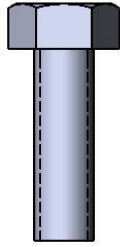
BY SUPERIOR RECREATIONAL PRODUCTS



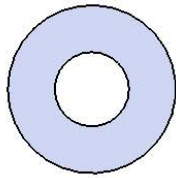
Model # B10PLAYERINNVP

 **SUPERIOR**[®]
RECREATIONAL PRODUCTS
A **PLAYCORE** Company

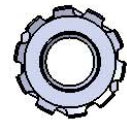
HARDWARE



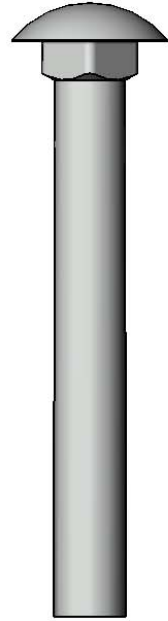
5/16" x 1"
Machine Bolt



5/16" Washer



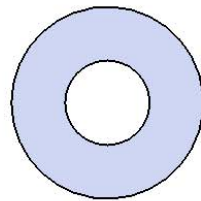
5/16" Kev Nut



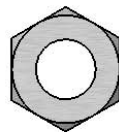
3/8" x 3"
Carriage Bolt



3/8" x 3-1/4"
Carriage Bolt



3/8" Washer



3/8" Hex Nut

PRODUCT SPECIFICATIONS

B10PLAYERINNVP DELUXE SEAT PORTABLE BENCH WITHOUT BACK

Seat: 11 gauge die formed angle frame 1"x1-7/8" with 3" radius corners. 12 gauge sheet steel is precision punched with a 5/8" hole. 7 gauge x 1-1/2" flat bar center support and mounting bracket understructure. Electrically MIG welded.

Coating: Oven fused functionalized polyethylene copolymer-based thermoplastic. Fluidized bed coating application with superior mechanical performance, impact resistance and UV-stability.

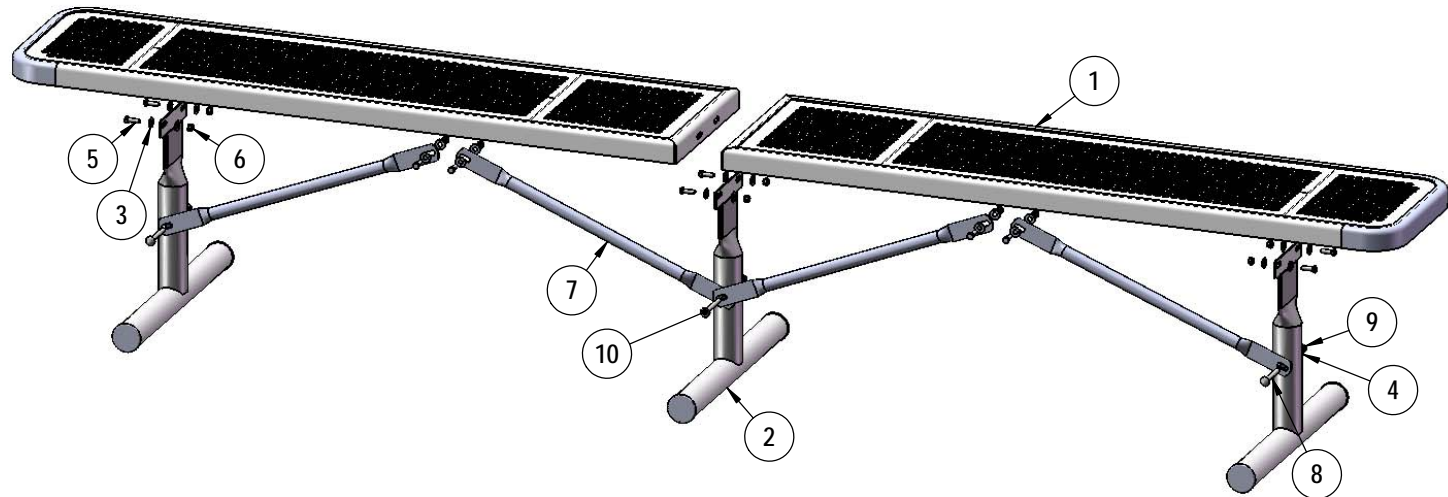
Frame: 2-3/8" O.D. x 12 gauge pre-galvanized structural steel tubing. Tube ends are pre-galvanized steel capped. Seat mounting points are 7 gauge x 1-1/2" die stamped steel flat bar. Cross braces are 1" O.D. x 16 gauge pre-galvanized structural steel tubing. All electrically MIG welded.

Frame Coating: Electrostatic powder coated application oven cured.

Hardware: All stainless steel hardware fasteners.

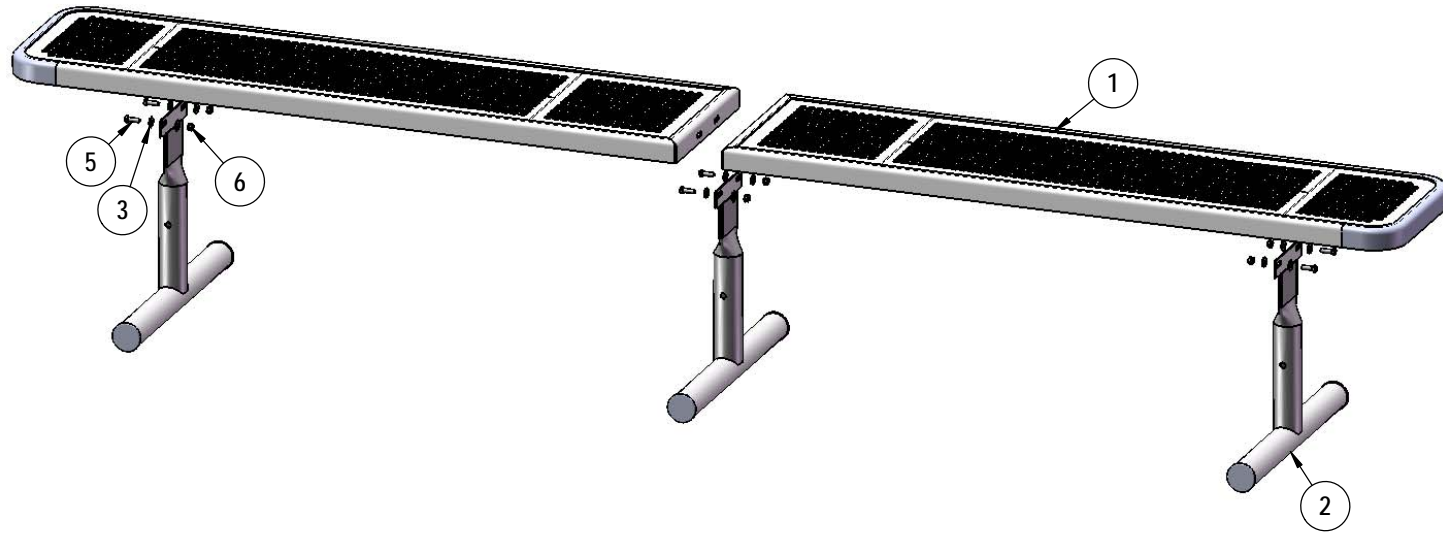
Dimensions: 10' bench portable without back. Deluxe seats 15" wide x 120" long. Seat height is 18-1/4". Total depth of bench is 22".

COMPONENTS



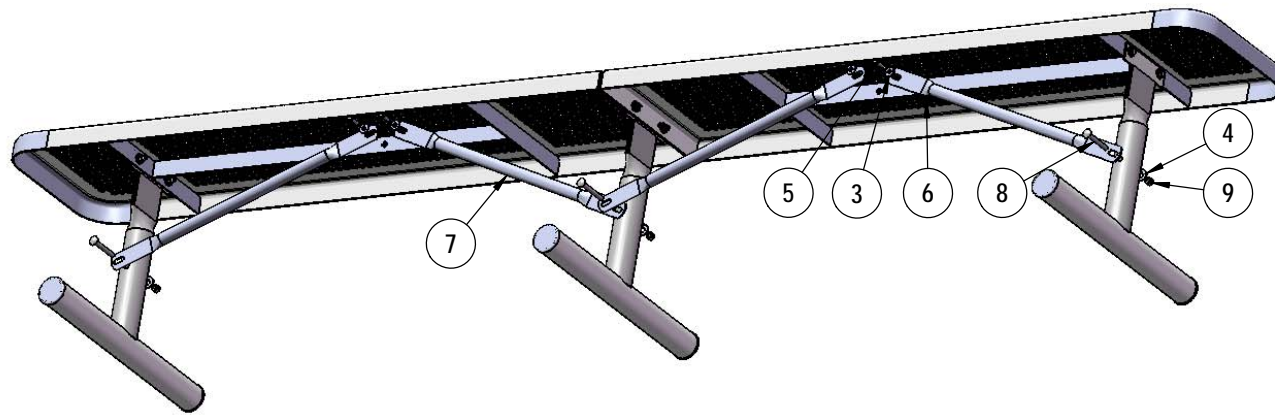
ITEM NO.	PartNo	DESCRIPTION	QTY
1	T-DP60-S	10' Deluxe Punched Seat (1/2)	2
2	P-V942P	942P Vinyl Leg	3
3	33-02-0007	5/16" SS Washer	20
4	33-02-0008	3/8" Flat Washer (SS)	3
5	33-05-0029	5/16" x 1" Machine Bolt (SS)	10
6	33-03-0012	5/16" Kep Nut (SS)	10
7	P-01-04-0129	26 3/4" Brace	4
8	33-06-0058	3/8" x 3" Carriage Bolt (SS)	2
9	33-01-0018	3/8" Hex Nut (SS)	3
10	33-06-0090	3/8" x 3-1/4" Carriage Bolt (SS)	1

STEP 1



Attach the 10' Seats to the Legs as shown using specified hardware.

STEP 2



Attach the 26-3/4" Braces to the Seats and Legs as shown using specified hardware.

OVERALL DIMENSIONS

