

Site Amenities

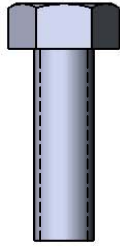
BY SUPERIOR RECREATIONAL PRODUCTS



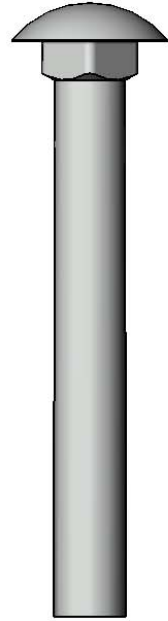
Model # B15PLAYERINNVP

S SUPERIOR[®]
RECREATIONAL PRODUCTS
A PLAYCORE Company

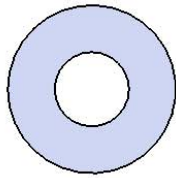
HARDWARE



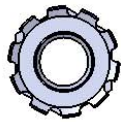
5/16" x 1"
Machine Bolt



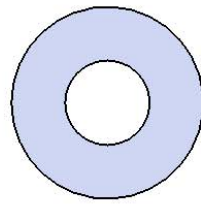
3/8" x 3"
Carriage Bolt



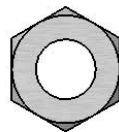
5/16" Washer



5/16" Kep Nut



3/8" Washer



3/8" Hex Nut

PRODUCT SPECIFICATIONS

B15PLAYERINNVP DELUXE SEAT PORTABLE BENCH WITHOUT BACK

Seat: 11 gauge die formed angle frame 1"x1-7/8" with 3" radius corners. 12 gauge sheet steel is precision punched with a 5/8" hole. 7 gauge x 1-1/2" flat bar center support and mounting bracket understructure. Electrically MIG welded.

Coating: Oven fused functionalized polyethylene copolymer-based thermoplastic. Fluidized bed coating application with superior mechanical performance, impact resistance and UV-stability.

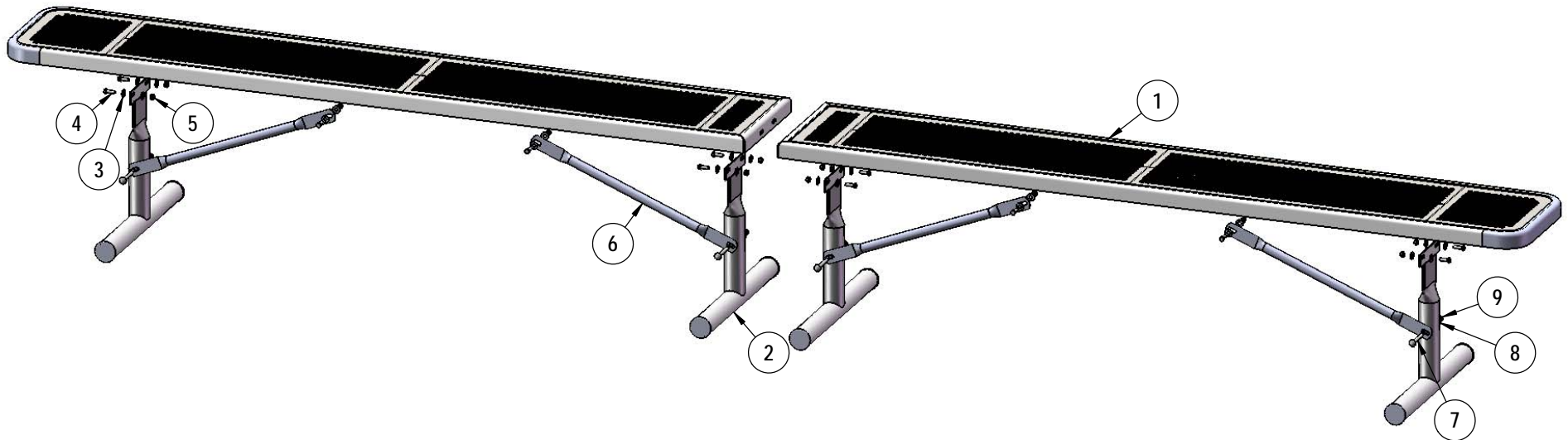
Frame: 2-3/8" O.D. x 12 gauge pre-galvanized structural steel tubing. Tube ends are pre-galvanized steel capped. Seat mounting points are 7 gauge x 1-1/2" die stamped steel flat bar. Cross braces are 1" O.D. x 16 gauge pre-galvanized structural steel tubing. All electrically MIG welded.

Frame Coating: Electrostatic powder coated application oven cured.

Hardware: All stainless steel hardware fasteners.

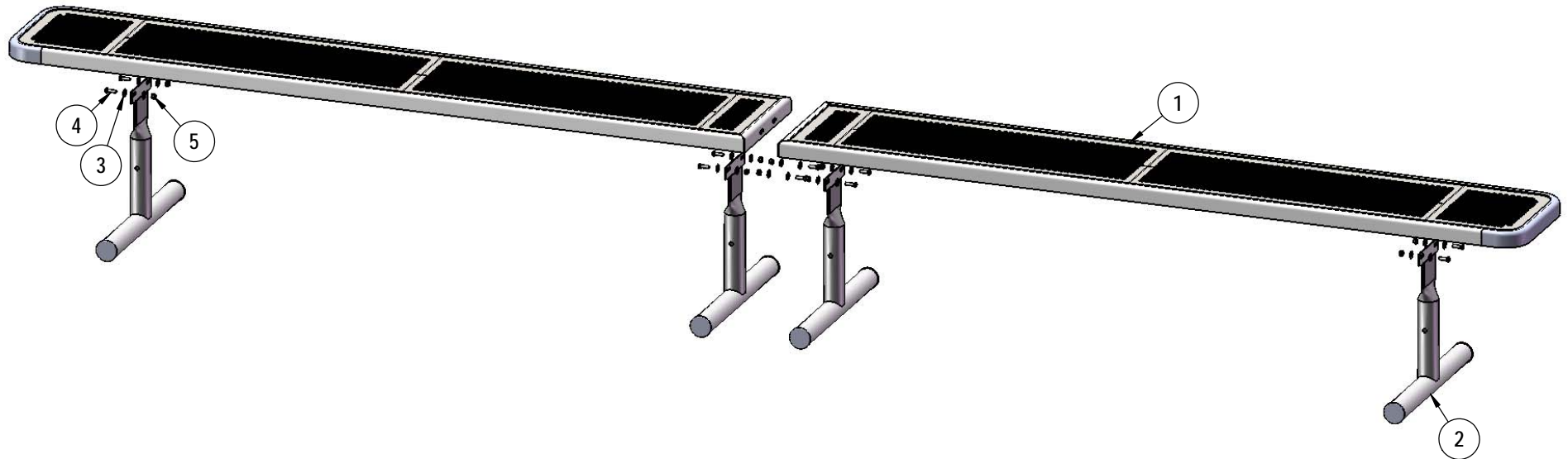
Dimensions: 15' bench portable without back. Deluxe seats 15" wide x 180" long. Seat height is 18-1/4". Total depth of bench is 22".

COMPONENTS



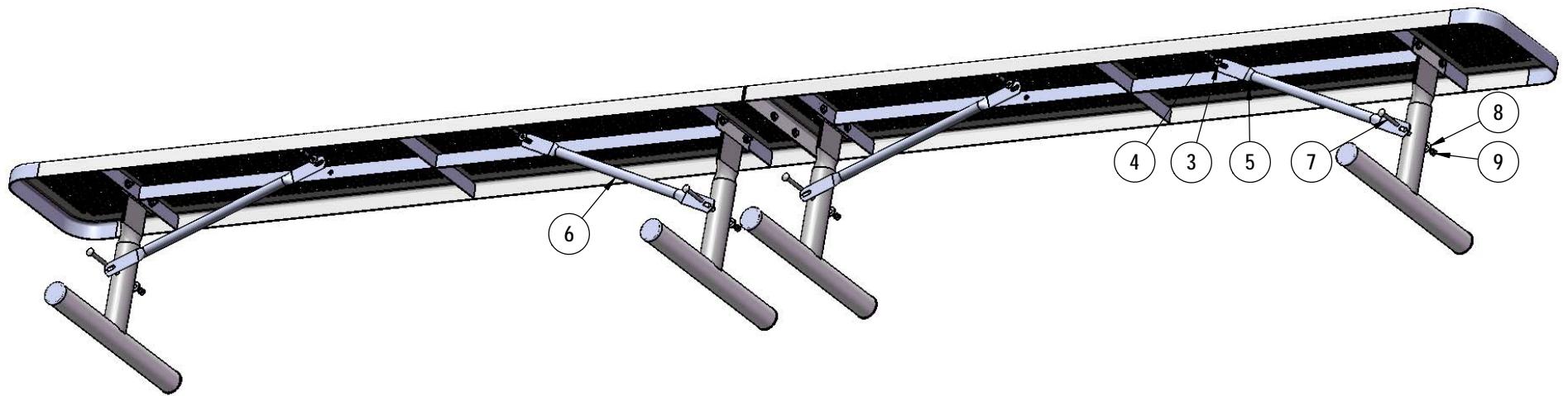
| ITEM NO. | PartNo | DESCRIPTION | QTY. |
|----------|--------------|-------------------------------|------|
| 1 | T-DP90-S | 15' Deluxe Punched Seat (1/2) | 2 |
| 2 | P-V942P | 942P Vinyl Leg | 4 |
| 3 | 33-02-0007 | 5/16" SS Washer | 28 |
| 4 | 33-05-0029 | 5/16" x 1" Machine Bolt (SS) | 14 |
| 5 | 33-03-0012 | 5/16" Kep Nut (SS) | 14 |
| 6 | P-01-04-0129 | 26 3/4" Brace | 4 |
| 7 | 33-06-0058 | 3/8" x 3" Carriage Bolt (SS) | 4 |
| 8 | 33-02-0008 | 3/8" Flat Washer (SS) | 4 |
| 9 | 33-01-0018 | 3/8" Hex Nut (SS) | 4 |

STEP 1



Attach the 15' Seat Halves to the Legs as shown using specified hardware.

STEP 2



Attach the 26-3/4" Braces to the Seats and Legs as shown using specified hardware.

OVERALL DIMENSIONS

