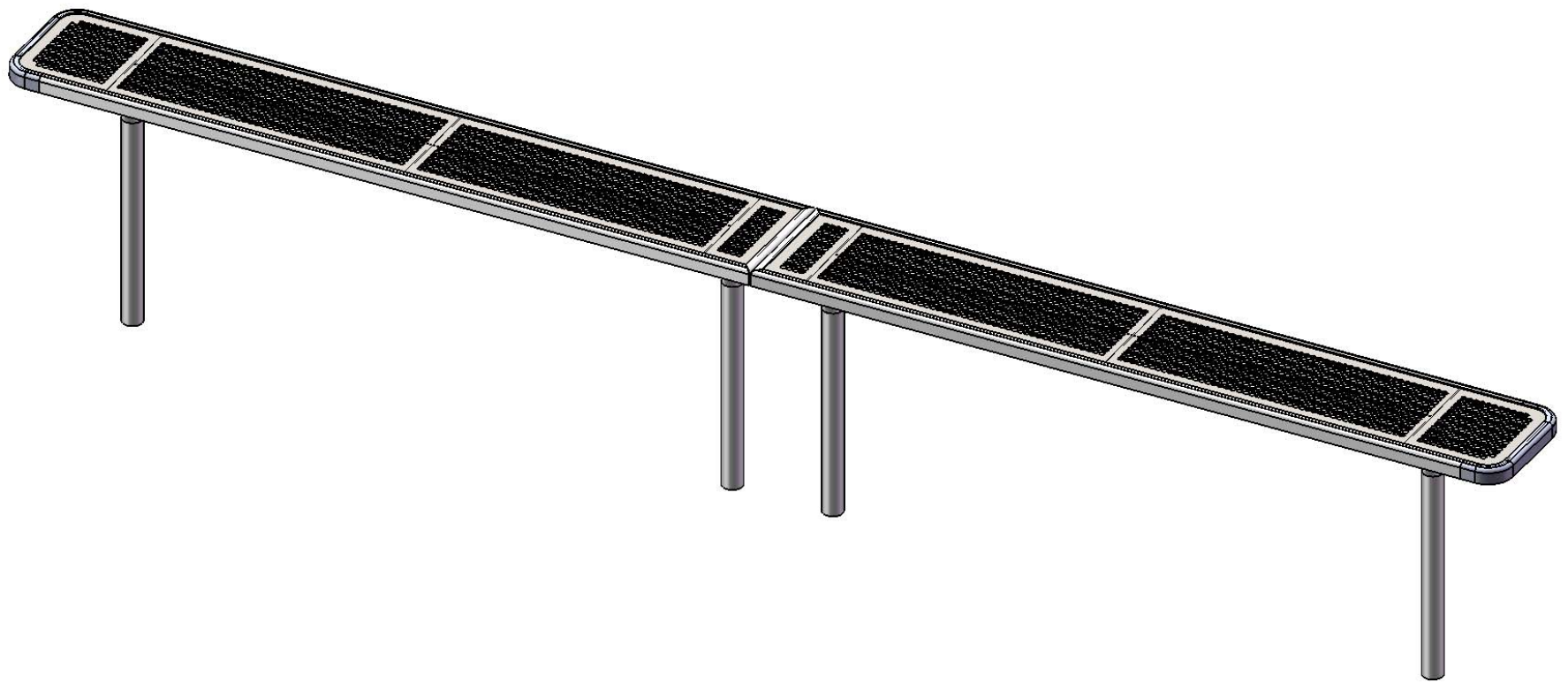


Site Amenities

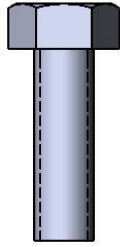
BY SUPERIOR RECREATIONAL PRODUCTS



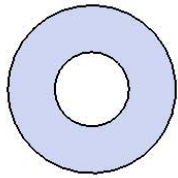
Model # B15PLAYERINNVS

 **SUPERIOR**[®]
RECREATIONAL PRODUCTS
A **PLAYCORE** Company

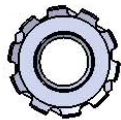
HARDWARE



5/16" x 1"
Machine Bolt



5/16" Washer



5/16" Keeplow Nut

PRODUCT SPECIFICATIONS

B15PLAYERINNVS DELUXE SEAT INGROUND BENCH WITHOUT BACK

Seats & Back: 11 gauge die formed angle frame 1"x1-7/8" with 3" radius corners. 12 gauge sheet steel is precision punched with a 5/8" hole. 7 gauge x 1-1/2" flat bar center support and mounting bracket understructure. Electrically MIG welded.

Coating: Oven fused functionalized polyethylene copolymer-based thermoplastic. Fluidized bed coating application with superior mechanical performance, impact resistance and UV-stability.

Frame: 2-3/8" O.D. x 12 gauge pre-galvanized structural steel tubing. Tube ends are pre-galvanized steel capped. Seat mounting points are 7 gauge x 1-1/2" die stamped steel flat bar. All electrically MIG welded.

Frame Coating: Electrostatic powder coated application oven cured.

Hardware: All stainless steel hardware fasteners.

Dimensions: 15' bench inground without back. Deluxe seats 15" wide x 180" long. Seat height is 18".

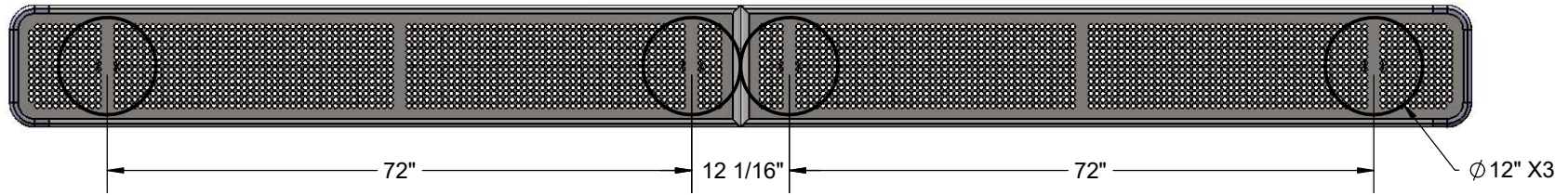
COMPONENTS

Attach the 15' Seats to the Legs as shown using specified hardware.

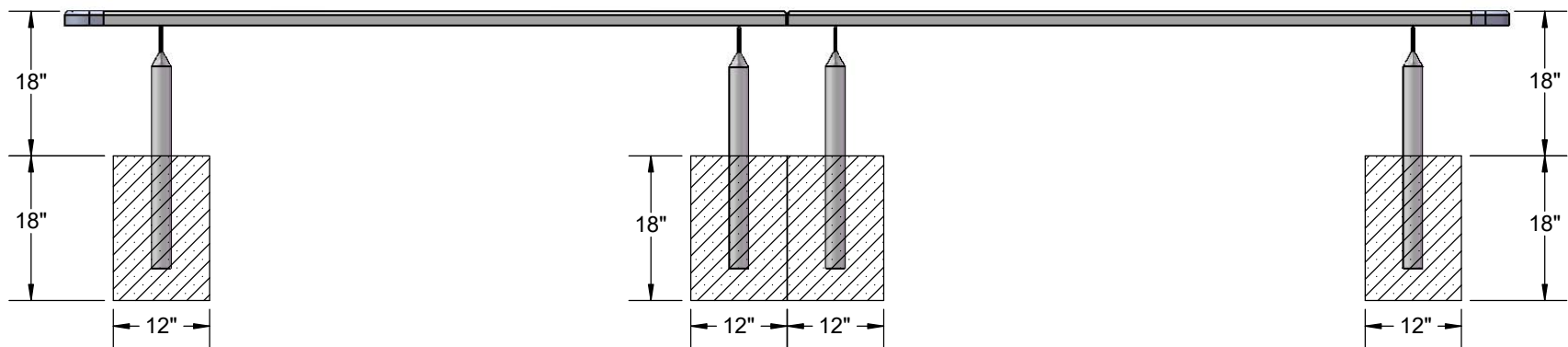


ITEM NO.	PartNo	DESCRIPTION	QTY
1	T-DP90-S	15' Deluxe Punched Seat (1/2)	2
2	P-V942S	942S VINYL LEG	4
3	33-02-0007	5/16" SS Washer	20
4	33-05-0029	5/16" x 1" Machine Bolt (SS)	10
5	33-03-0012	5/16" Kep Nut (SS)	10

FOOTINGS



Estimated Required Concrete:
13 - 50lb Bags of Concrete Mix



OVERALL DIMENSIONS

