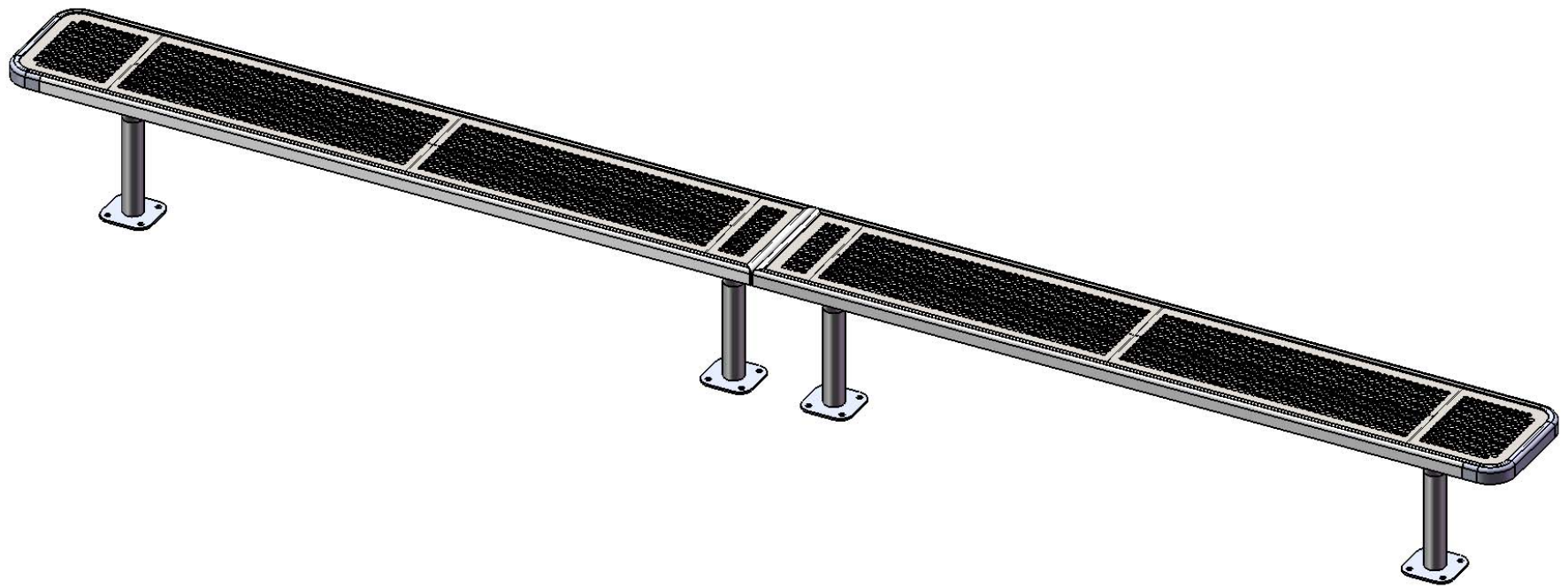


# Site Amenities

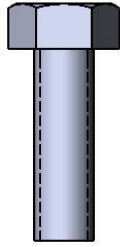
BY SUPERIOR RECREATIONAL PRODUCTS



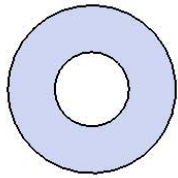
Model # B15PLAYERINNVSM

**S** SUPERIOR<sup>®</sup>  
RECREATIONAL PRODUCTS  
A PLAYCORE Company

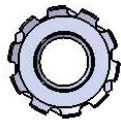
# HARDWARE



5/16" x 1"  
Machine Bolt



5/16" Washer



5/16" Keeplow Nut

# PRODUCT SPECIFICATIONS

## **B15PLAYERINNVS DELUXE SEAT SURFACE MOUNT BENCH WITHOUT BACK**

Seats: 11 gauge die formed angle frame 1"x1-7/8" with 3" radius corners. A 12 gauge piece of sheet steel is precision punched with a 5/8" hole to create the punched hole pattern. 7 gauge x 1-1/2" flat bar center support and mounting bracket understructure. Electrically MIG welded.

Seat Coating: Oven fused functionalized polyethylene copolymer-based thermoplastic. Fluidized bed coating application with superior mechanical performance, impact resistance and UV-stability.

Frame: 2-3/8" O.D. x 12 gauge pre-galvanized structural steel tubing. Seat mounting points 7 gauge x 1-1/2" die stamped steel flat bar. A 6" x 6" steel plate makes up the surface mount footing. The surface mount plate has four holes for stable mounting, and clipped corners for a more finished look. Electrically MIG welded.

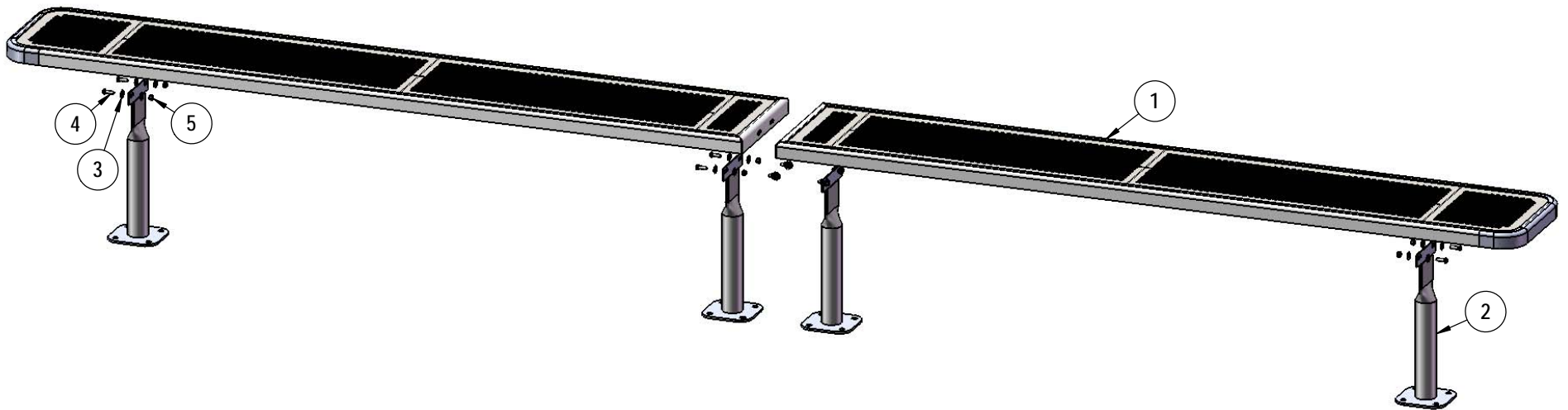
Frame Coating: Electrostatic powder coated application oven cured.

Hardware: All stainless steel hardware fasteners.

Dimensions: 15' bench surface mount without back. Deluxe seats are 15" wide x 180" long. Seat height is 18-3/4". Total depth of bench is 15".

# COMPONENTS

Attach the 15' Seats to the Legs as shown using specified hardware.



ITEM NO.	PartNo	DESCRIPTION	QTY
1	T-DP90-S	15' Deluxe Punched Seat (1/2)	2
2	P-V942SM	942SM VINYL LEG	4
3	33-02-0007	5/16" SS Washer	20
4	33-05-0029	5/16" x 1" Machine Bolt (SS)	10
5	33-03-0012	5/16" Kep Nut (SS)	10

Recommended Surface Mount Hardware:  
 3/8" x 3-1/2" Concrete Expansion Anchor Bolts  
 (Not Included)



# OVERALL DIMENSIONS

