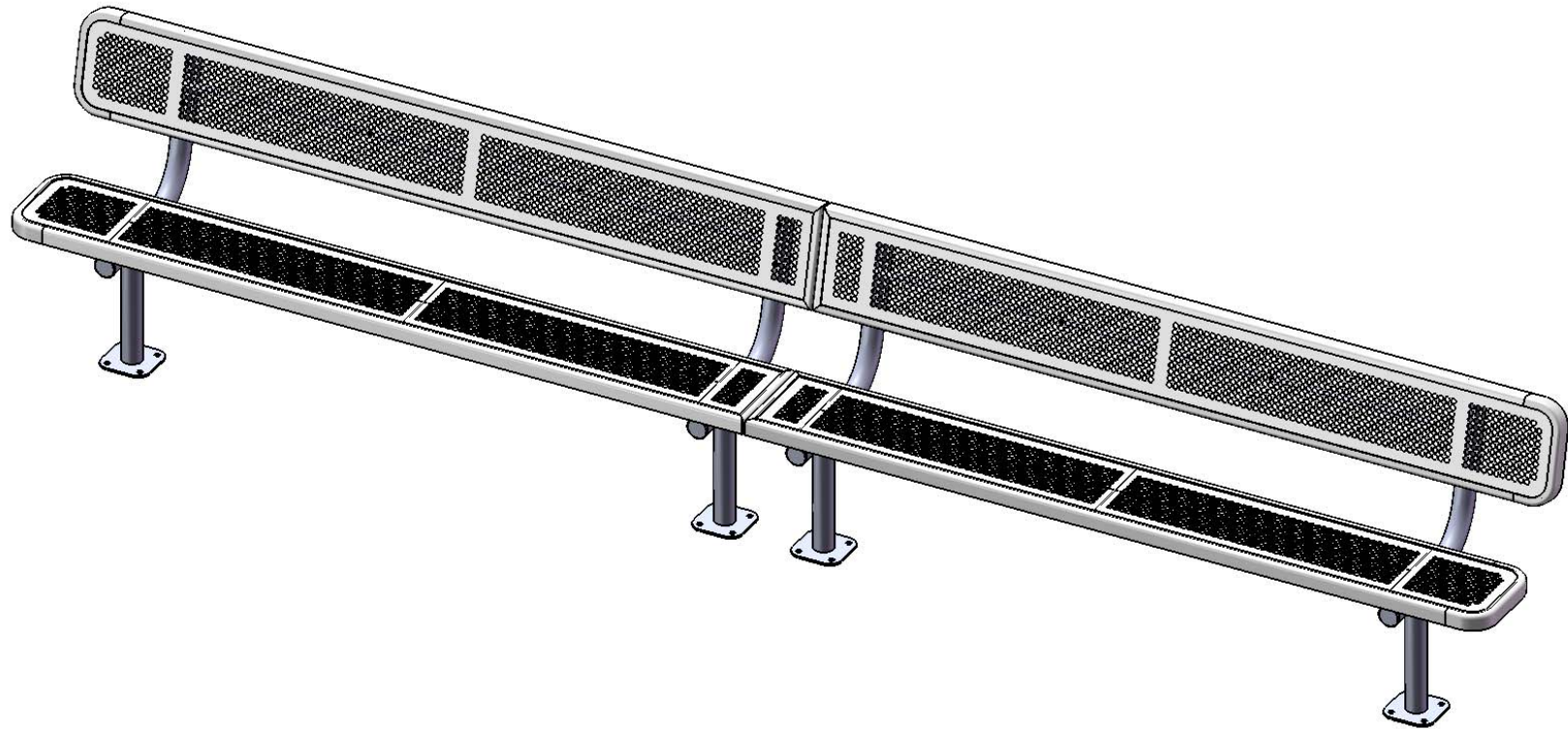


# Site Amenities

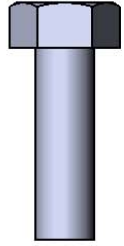
BY SUPERIOR RECREATIONAL PRODUCTS



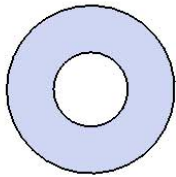
Model # B15WBINNVSM

**S** SUPERIOR<sup>®</sup>  
RECREATIONAL PRODUCTS  
A PLAYCORE Company

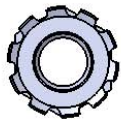
# HARDWARE



5/16" x 1"  
Machine Bolt



5/16" Washer



5/16" Kep Nut

# PRODUCT SPECIFICATIONS

## **B15WBINNVSM SURFACE MOUNT BENCH WITH BACK**

Seats & Back: 11 gauge die formed angle frame 1"x1-7/8" with 3" radius corners. A 12 gauge piece of sheet steel is precision punched with a 5/8" hole to create the punched hole pattern. The understructure/attachment plates are fabricated from 7 gauge x 1-1/2" flat bar. Top is additionally supported to the outer frame with 7 gauge x 1-1/2" flat bar. Electrically MIG welded.

Coating: Oven fused functionalized polyethylene copolymer-based thermoplastic. Fluidized bed coating application with superior mechanical performance, impact resistance and UV-stability.

Frame: 2-3/8" O.D. x 12 gauge pre-galvanized structural steel tubing. Seat/back support is bent over a mandrel through the bend radius producing a wrinkle free bend. Tube ends are pre-galvanized steel capped. Seat mounting points are 7 gauge x 1-1/2" die stamped steel flat bar. A 6" x 6" steel plate makes up the surface mount footing. The surface mount plate has four holes for stable mounting, and clipped corners for a more finished look. All electrically MIG welded.

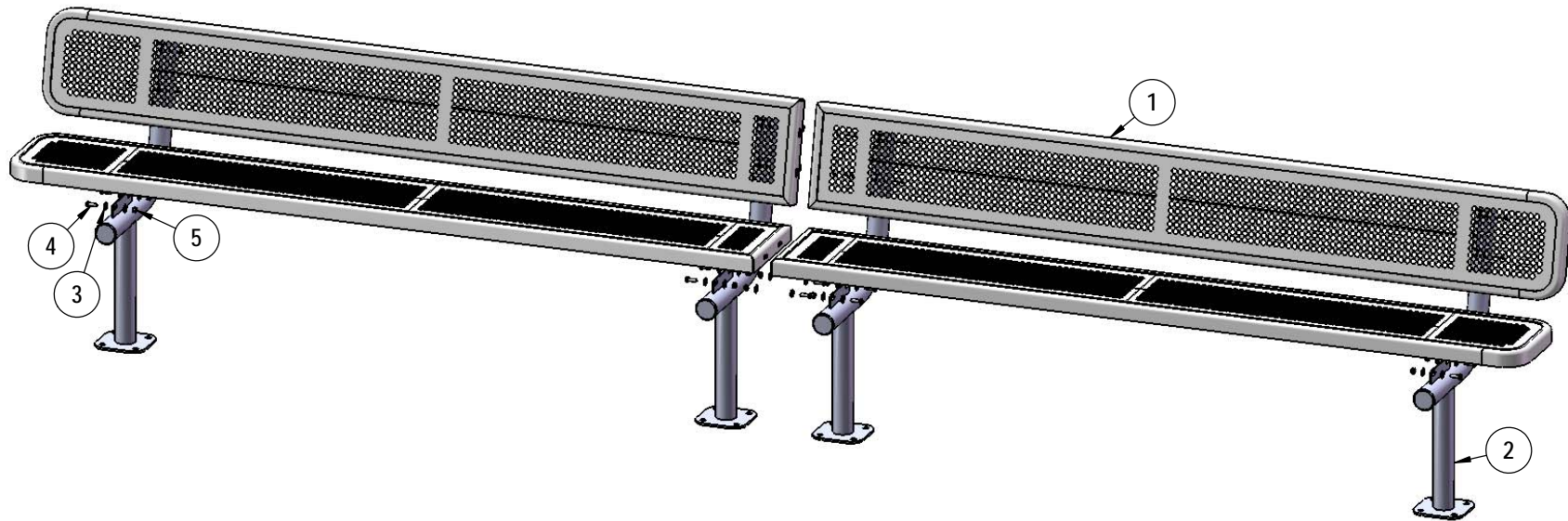
Frame Coating: Electrostatic powder coated application oven cured.

Hardware: All stainless steel hardware fasteners.

Dimensions: 15' bench surface mount with back. Seats and backs are 12" wide x 180" long. Seat height is 18-1/4", seat back height is 35-1/4". Total depth of seat with back is 22-1/4".

# COMPONENTS

Attach the Seats to the Legs as shown using specified hardware.



ITEM NO.	PartNo	DESCRIPTION	QTY.
1	T-P90-S	15' Punched Seat (1/2)	4
2	P-V940SM	940 Surface Mount Leg	4
3	33-02-0007	5/16" SS Washer	40
4	33-05-0029	5/16" x 1" Machine Bolt (SS)	20
5	33-03-0012	5/16" Kep Nut (SS)	20

Recommended Surface Mount Hardware:  
 3/8" x 3-1/2" Concrete Expansion Anchor Bolts  
 (Not Included)



# OVERALL DIMENSIONS

