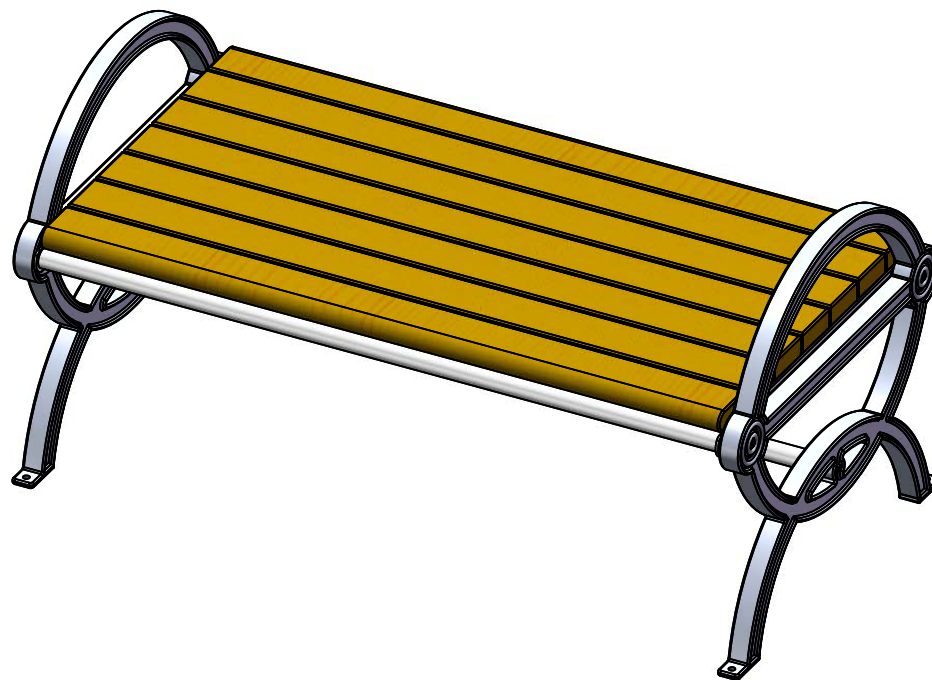


# *Site Amenities*

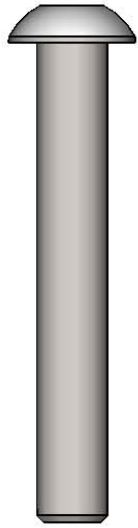
BY SUPERIOR RECREATIONAL PRODUCTS



Model #  
B4GW-RC

 **SUPERIOR**<sup>®</sup>  
RECREATIONAL PRODUCTS  
A PLAYCORE Company

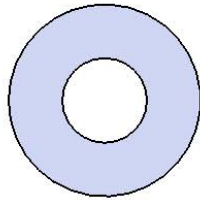
# HARDWARE



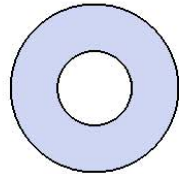
3/8" X 2-1/2"  
Button Head Bolt



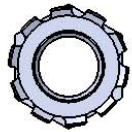
5/16" x 1-1/4"  
Lag Bolt



3/8" Washer

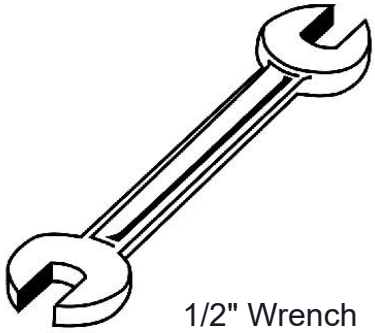


5/16" Washer

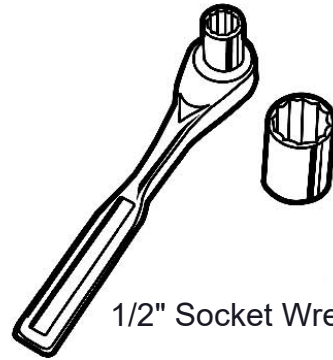


3/8" Kep Nut

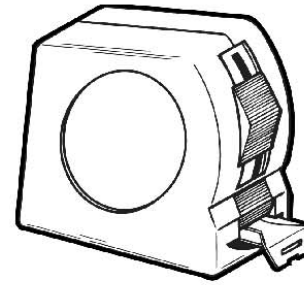
## TOOLS REQUIRED



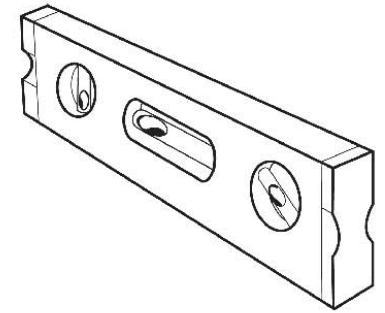
1/2" Wrench



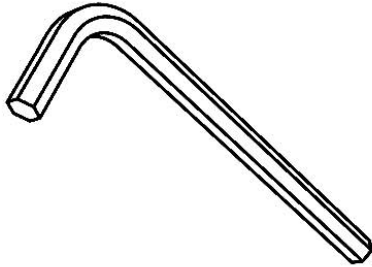
1/2" Socket Wrench



Tape Measure



Level



7/32 Allen Wrench

# PRODUCT SPECIFICATIONS

## **B4GW-RC GATEWAY BENCH WITHOUT BACK**

Seats: 2x4 planks are made from a minimum of 96% post-consumer or post-industrial recycled plastic. Contains UV stabilizers to prevent fading. Seat support frame is made of 10 ga steel plate, 1" sch 40 pipe, and 5/8" solid rod. Electrically MIG welded.

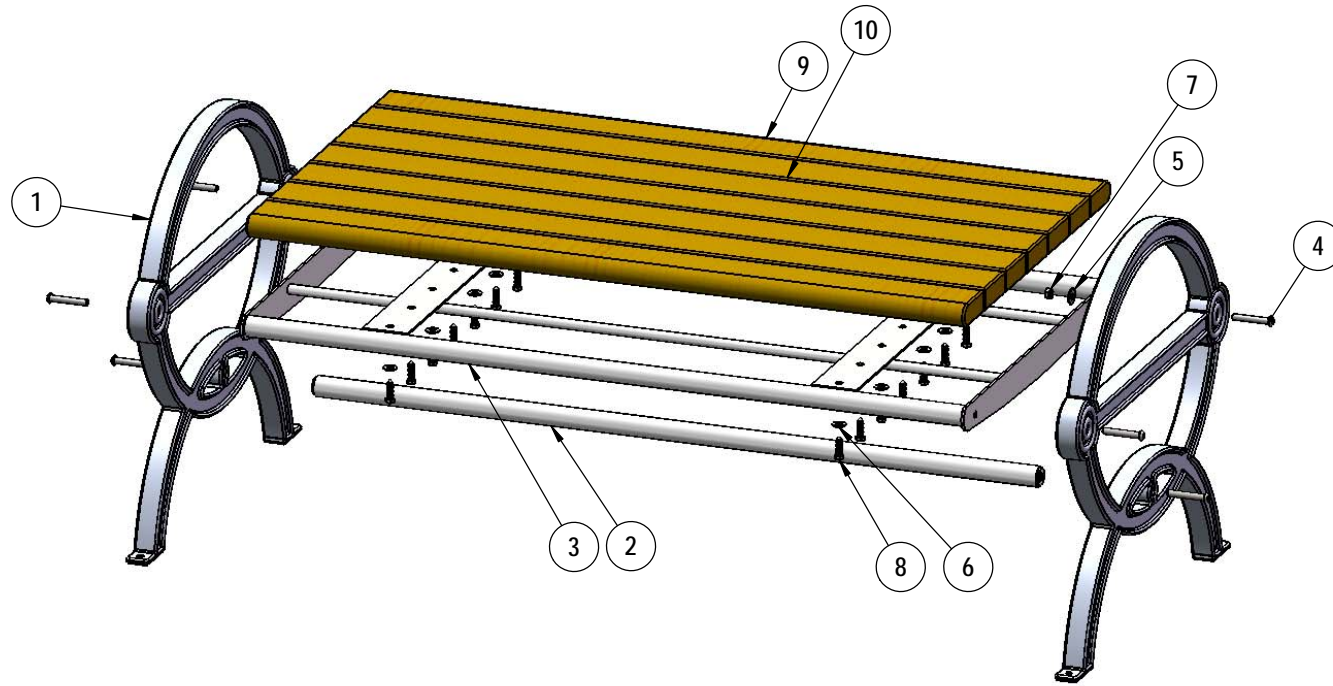
Frame: Legs are cast aluminum.

Frame Coating: Metal is sandblasted to near white condition. Coated with zinc rich epoxy primer and top coated with electrostatic powdercoat, oven cured.

Hardware: All fasteners are stainless steel.

Dimensions: 4' portable/surface mount bench without back. Seats are 26-1/2" wide x 48-3/8" long. Seat height is 18-1/2" from the ground to the top of the seat. The overall dimensions are 51-3/8" x 27-1/4" x 25-5/8".

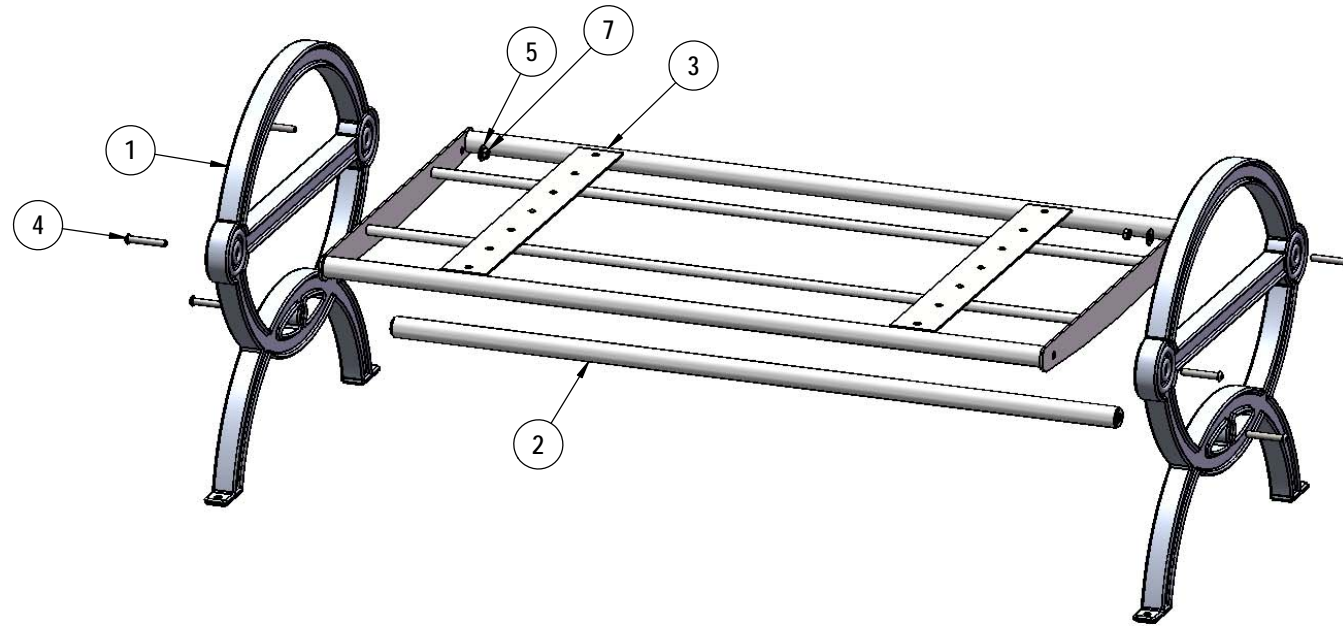
# COMPONENTS



ITEM NO.	PartNo	DESCRIPTION	QTY
1	11-01-CAST8	Durham Casted Aluminum Bench Frame	2
2	01-01-0629	48.5" Support Bar	1
3	01-01-0628	4' Recycled Flat Contour Frame - Welded	1
4	33-06-0093	3/8"-16 x 2-1/2" Button Head Bolt (SS)	6
5	33-02-0008	3/8" Flat Washer (SS)	4
6	33-02-0007	5/16" SS Washer	14
7	33-03-0013	3/8" Kep Nut (SS)	4
8	33-05-0034	5/16" x 1-1/4" lag bolt, SS	14
9	BRN48-2x4B-LB, CDR48-2x4B-LB, GRN48-2x4B-LB, or GRY48-2x4B-LB	2 x 4 Brown Recycled Bench Bullnose Plank-lag bolts (4'), 2 X 4 Cedar Recycled Bench Bullnose Plank-lag bolts (4'), 2 x 4 Green Recycled Bench Bullnose Plank-lag bolts (4'), or 2 x 4 Grey Recycled Bench Bullnose Plank-lagbolts (4')	2
10	BRN48-2x4-LB, CDR48-2x4-LB, GRN48-2x4-LB, or GRY48-2x4-LB	2 x 4 Brown Recycled Bench Plank-lagbolt (4'), 2 X 4 Cedar Recycled Bench Plank-lagbolt (4'), 2 x 4 Green Recycled Bench Plank-lagbolt (4'), or 2 x 4 Grey Recycled Bench Plank-lagbolt (4')	5

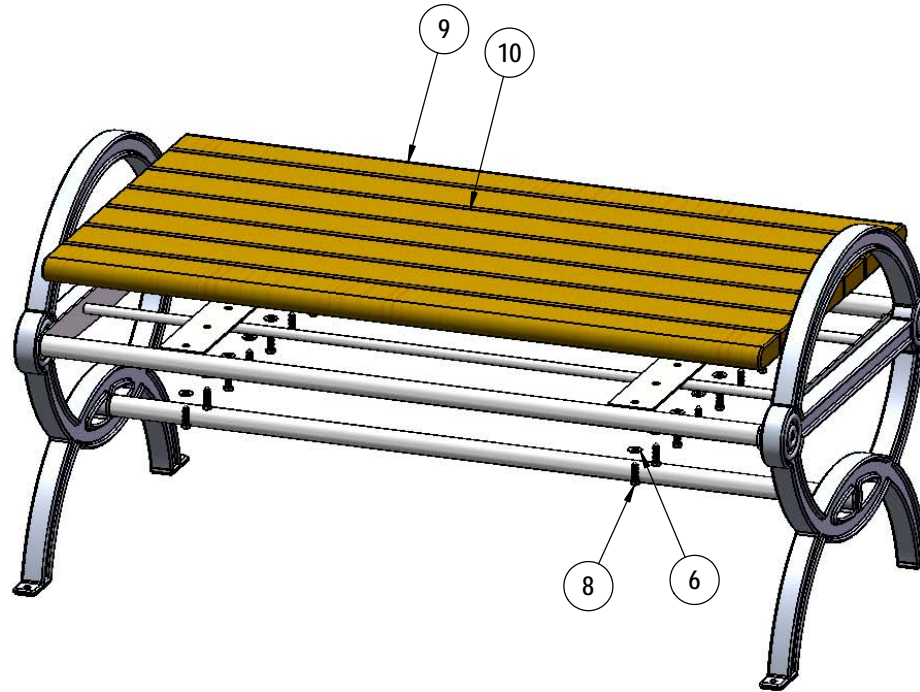
Optional Surface Mount Hardware:  
3/8" x 3-1/2" Concrete Expansion Anchor Bolts  
(Not Included)

# STEP 1



Attach the Recycled Seat Support to the Cast End Frames using the specified hardware.

## STEP 2



Attach the 4' Recycled Bench Planks to the Seat Support, placing the 2 Bullnose Planks on the outside, as shown using the specified hardware.

Warning: Over tightening of the Lag Bolts may result in cracking and/or stripping out of the Planks.

# OVERALL DIMENSIONS

