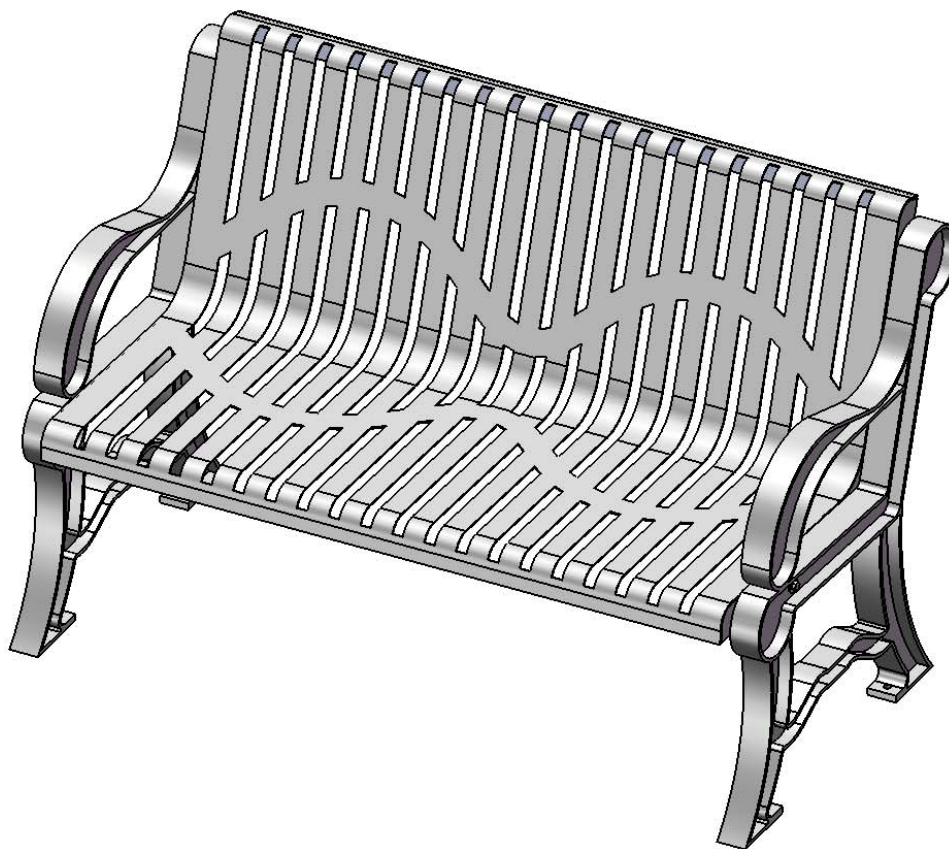


# *Site Amenities*

BY SUPERIOR RECREATIONAL PRODUCTS



Model #  
B4WBCLASSIC

 **SUPERIOR**<sup>®</sup>  
RECREATIONAL PRODUCTS  
A **PLAYCORE** Company

# PRODUCT SPECIFICATIONS

## **B4WBCLASSIC 4 Ft. Villa Bench With Back**

Seats: Seat is fabricated from a 11ga laser cut plate. Seat is supported with 11ga plates. All electrically MIG welded.

Coating: Oven fused functionalized polyethylene copolymer-based thermoplastic. Fluidized bed coating application with superior mechanical performance, impact resistance and UV-stability.

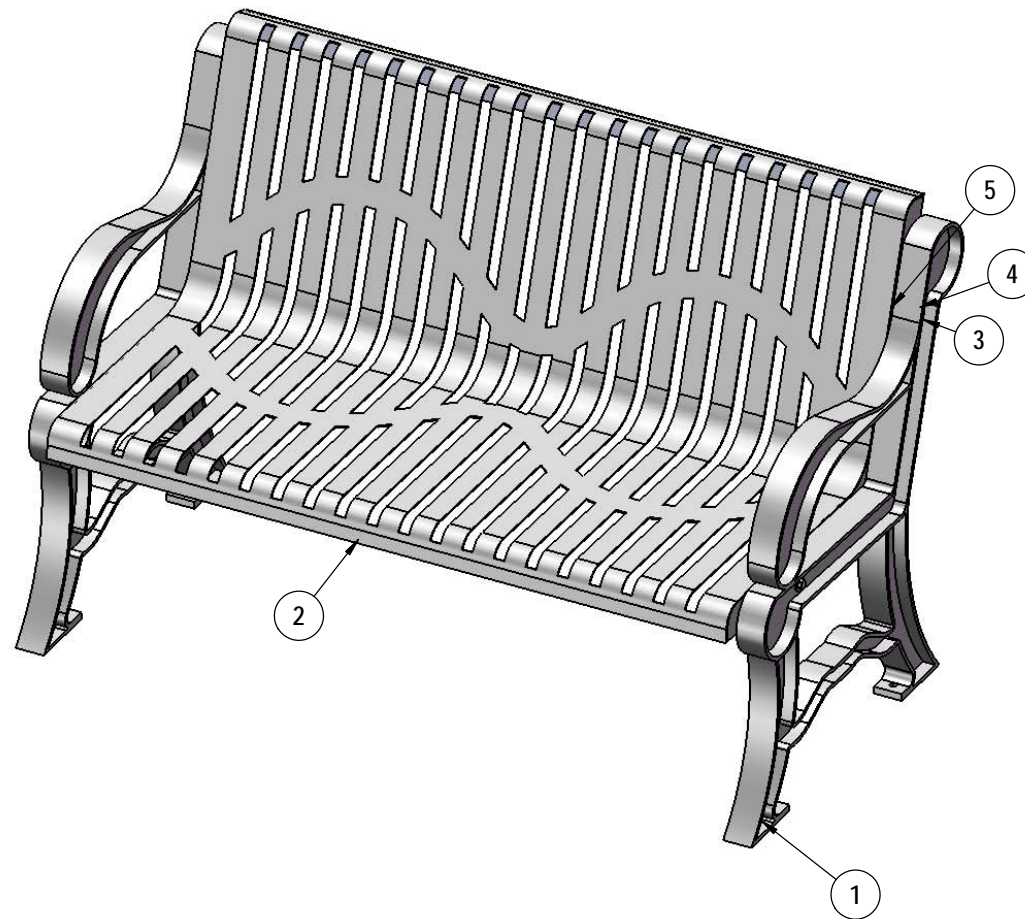
Frame: Legs are cast aluminum.

Frame Coating: Electrostatic powder coated application oven cured.

Dimensions: 4' bench without back. Seats are 26-1/2" wide x 48" long. Seat height is 16-1/2". Overall dimensions are 26-1/2" x 52" x 33-3/16".

# COMPONENTS

Attach the legs to the seat as shown using specified hardware.



ITEM NO.	PartNo	DESCRIPTION	QTY
1	FBWBVILLA	Finished Villa Frame (coated)	2
2	S4WBCLASS	Seat for B4WBCLASSIC/B4WBCLASSCASINO	1
3	33-05-0059	3/8" x 2 1/4" Machine Bolt (SS)	4
4	33-02-0008	3/8" Flat Washer (SS)	8
5	33-03-0013	3/8" Kep Nut (SS)	4

# OVERALL DIMENSIONS

