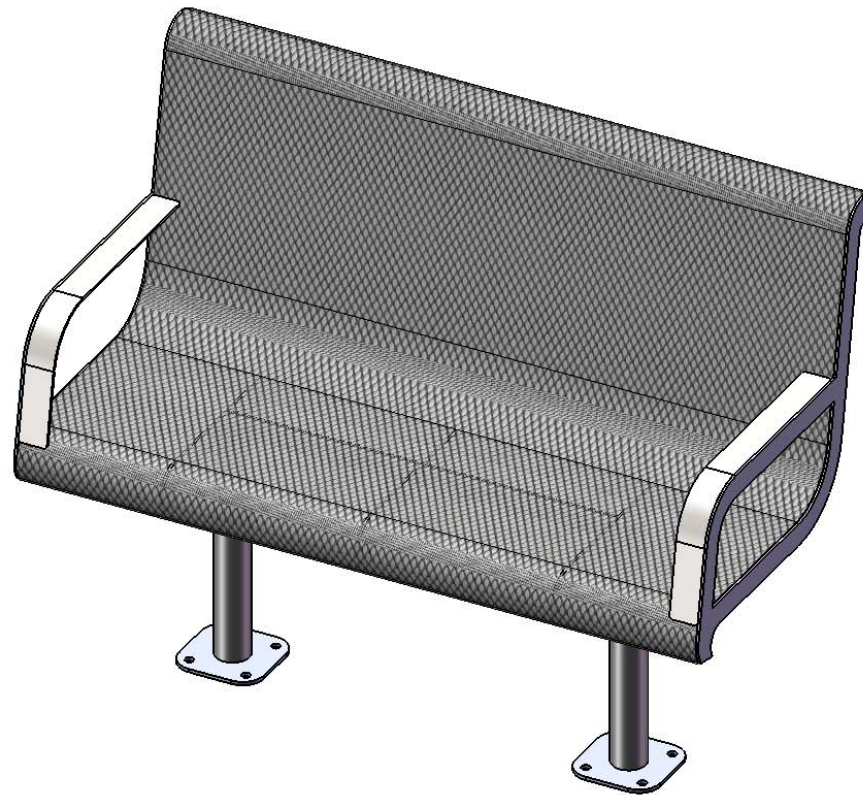


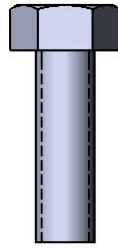
# Site Amenities

BY SUPERIOR RECREATIONAL PRODUCTS

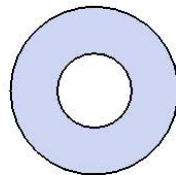


Model # B4WBWINGLINESM

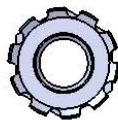
# HARDWARE



5/16" x 1"  
Machine Bolt



5/16" Washer



5/16" Kee Nut

# PRODUCT SPECIFICATIONS

## **B4WBWINGLINESM SURFACE MOUNT CONTOURED BENCH WITH BACK**

**Seats:** Seats dimensions are 23-3/4" x 48-3/8". 3/4" #9 steel expanded metal. End plates are made of 10 gauge flat steel plate. Reinforced with 3/16 x 1-1/2" flat strip. Armrest are made from 7ga steel plate. Electrically MIG welded.

**Coating:** Oven fused functionalized polyethylene copolymer-based thermoplastic. Fluidized bed coating application with superior mechanical performance, impact resistance and UV-stability.

**Frame:** Legs are 2-3/8" O.D. x 12 gauge pre-galvanized structural steel tubing. Seat mounting points are 10 gauge x 1-1/2" die stamped steel flat bar. A 6" x 6" x 1/4" steel plate makes up the surface mount footings. All electrically MIG welded.

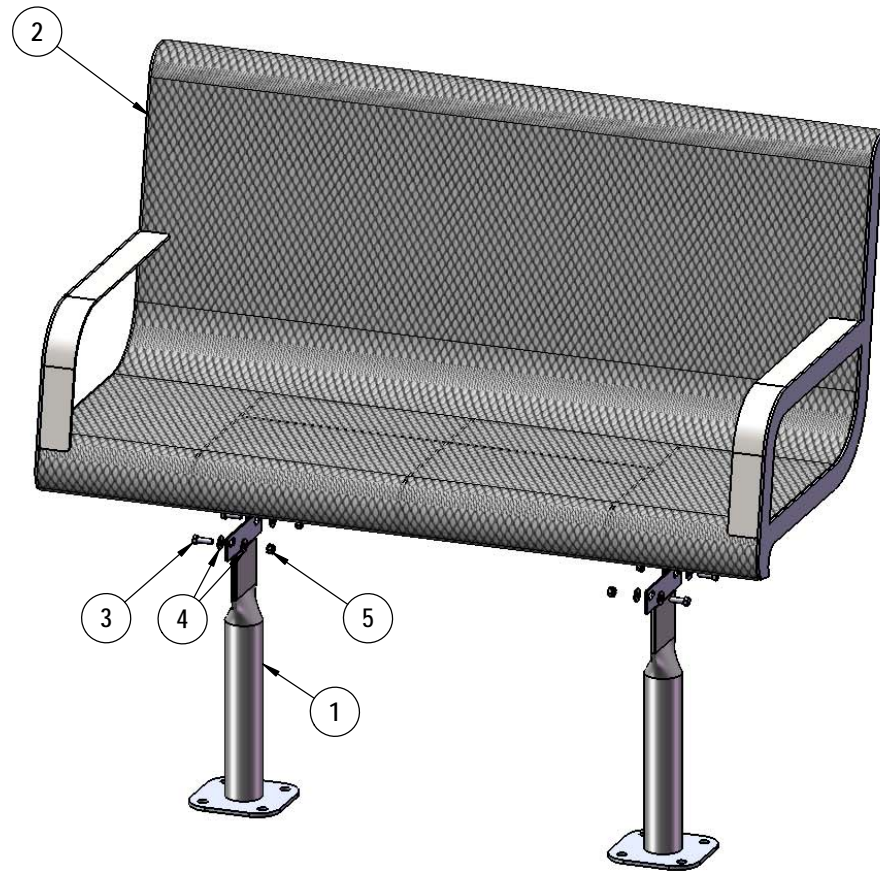
**Frame Coating:** Electrostatic powder coated application oven cured.

**Hardware:** All hardware shall be stainless steel.

**Dimensions:** 4' Surface Mount bench with back. Seats are 23-3/4" wide x 48-3/8" long. Seat height is 18-5/8" from the ground to the top of the seat. The overall dimensions are 48-3/8" x 23-3/4" x 37-13/16".

# COMPONENTS

Attach the Surface Mount Legs to the 4' Seat using the specified hardware.



ITEM NO.	PartNo	DESCRIPTION	Qty.
1	P-V942SM	942SM VINYL LEG	2
2	T-01-01-0709	963 4' Expanded Seat	1
3	33-05-0029	5/16" x 1" Machine Bolt (SS)	4
4	33-02-0007	5/16" SS Washer	8
5	33-03-0012	5/16" Kep Nut (SS)	4

# OVERALL DIMENSIONS

