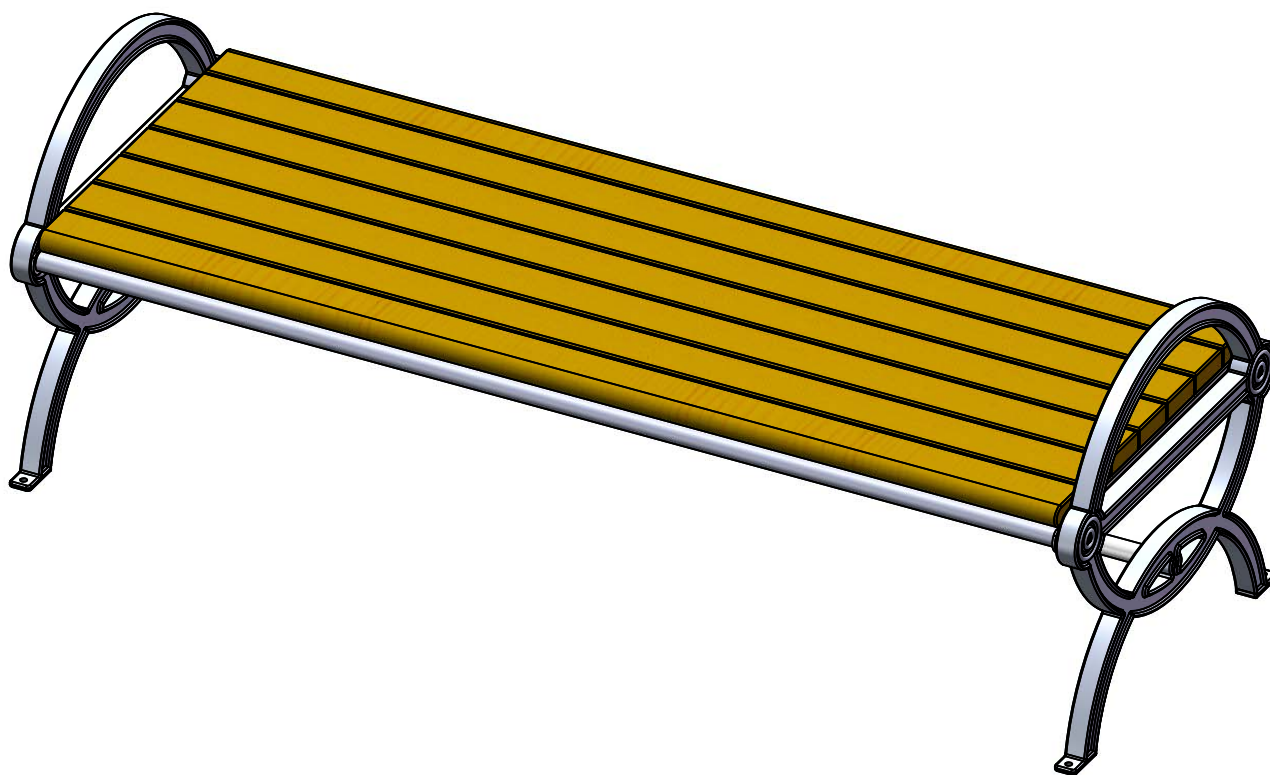


Site Amenities

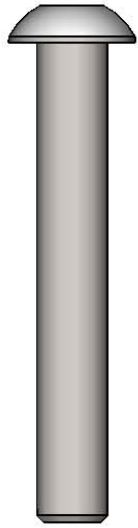
BY SUPERIOR RECREATIONAL PRODUCTS



Model #
B6GW-RC

 **SUPERIOR**[®]
RECREATIONAL PRODUCTS
A **PLAYCORE** Company

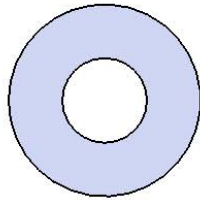
HARDWARE



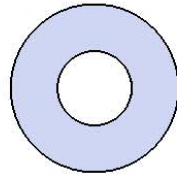
3/8" X 2-1/2"
Button Head Bolt



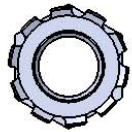
5/16" x 1-1/4"
Lag Bolt



3/8" Washer

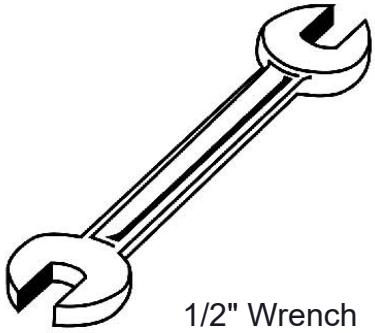


5/16" Washer

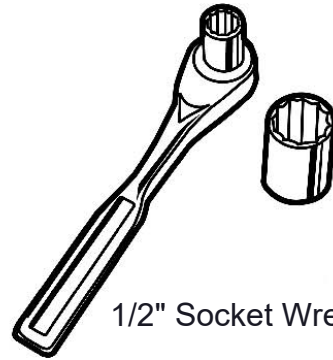


3/8" Kep Nut

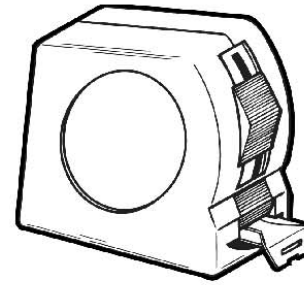
TOOLS REQUIRED



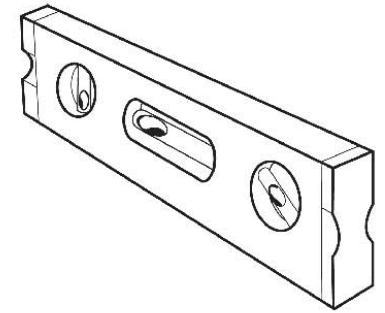
1/2" Wrench



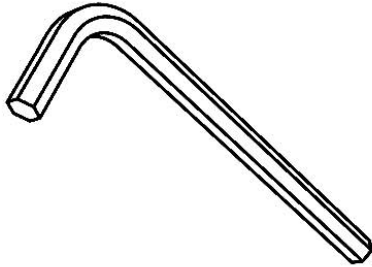
1/2" Socket Wrench



Tape Measure



Level



7/32 Allen Wrench

PRODUCT SPECIFICATIONS

B6GW-RC GATEWAY BENCH WITHOUT BACK

Seats: 2x4 planks are made from a minimum of 96% post-consumer or post-industrial recycled plastic. Contains UV stabilizers to prevent fading. Seat support frame is made of 10 ga steel plate, 1" sch 40 pipe, and 5/8" solid rod. Electrically MIG welded.

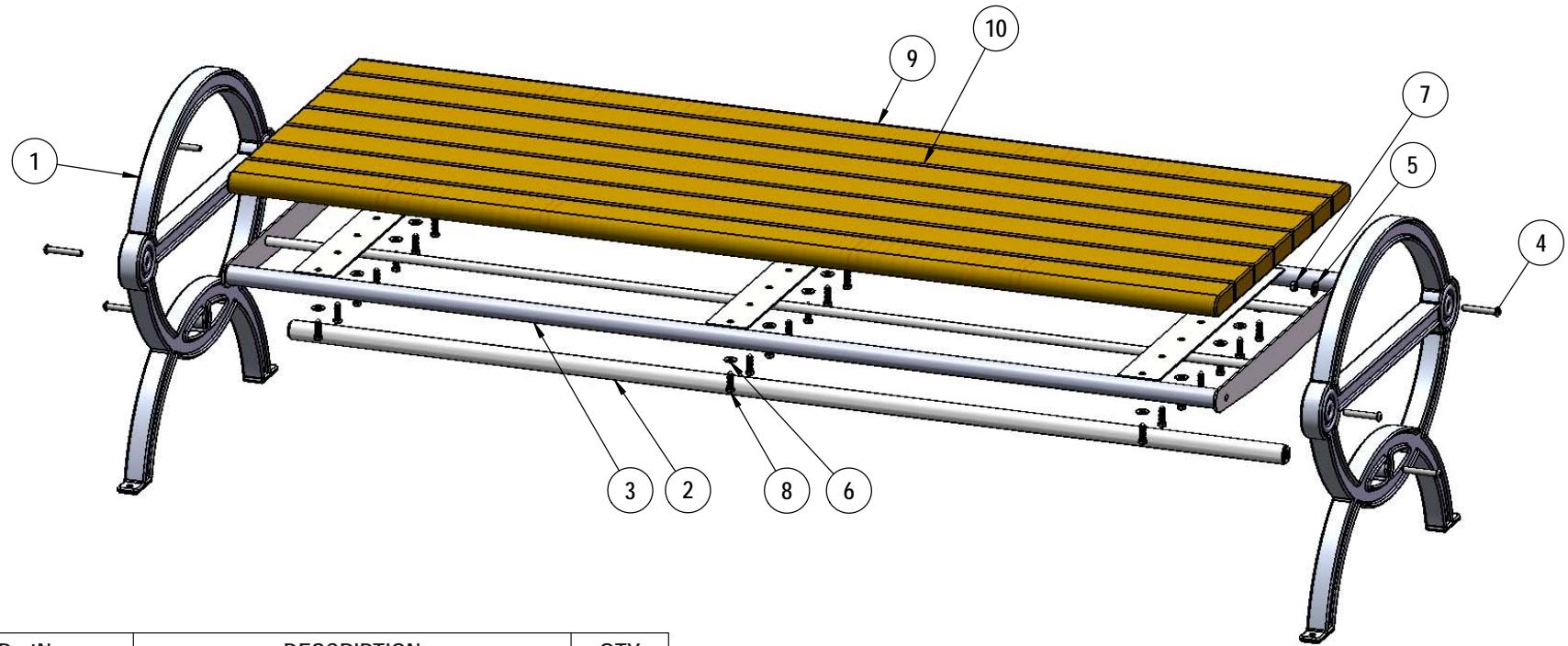
Frame: Legs are cast aluminum.

Frame Coating: Metal is sandblasted to near white condition. Coated with zinc rich epoxy primer and top coated with electrostatic powdercoat, oven cured.

Hardware: All fasteners are stainless steel.

Dimensions: 6' portable/surface mount bench without back. Seats are 26-1/2" wide x 72-3/8" long. Seat height is 18-1/2" from the ground to the top of the seat. The overall dimensions are 75-3/8" x 27-1/4" x 25-5/8".

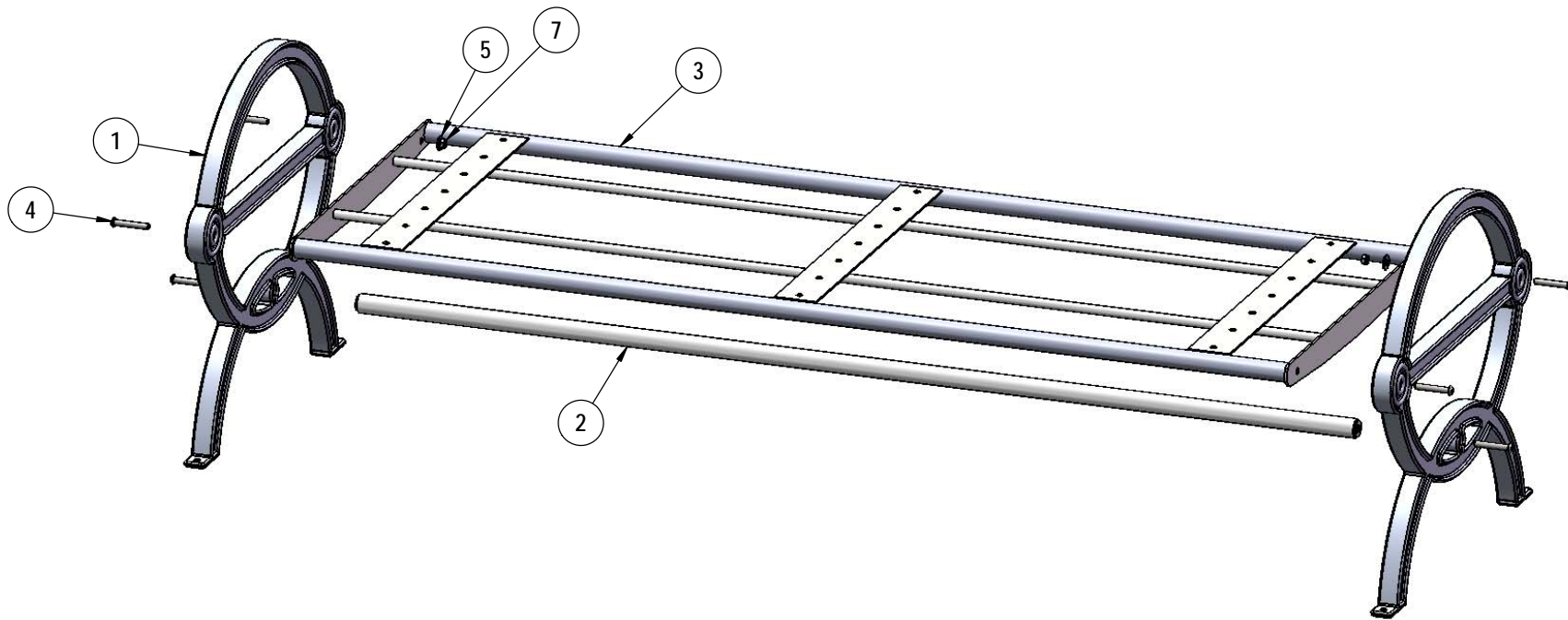
COMPONENTS



ITEM NO.	PartNo	DESCRIPTION	QTY
1	11-01-CAST8	Durham Casted Aluminum Bench Frame	2
2	01-01-0631	72.5" Support Bar	1
3	01-01-0527	6' Recycled Flat Contour Frame - Welded	1
4	33-06-0093	3/8"-16 x 2-1/2" Button Head Bolt (SS)	6
5	33-02-0008	3/8" Flat Washer (SS)	4
6	33-02-0007	5/16" SS Washer	21
7	33-03-0013	3/8" Kep Nut (SS)	4
8	33-05-0034	5/16" x 1-1/4" lag bolt, SS	21
9	BRN72-2x4B-LB, CDR72-2x4B-LB, GRN72-2x4B-LB, or GRY72-2x4B-LB	2 x 4 Brown Recycled Bench Bullnose Plank-Lag Bolts (6'), 2 X 4 Cedar Recycled Bench Bullnose Plank-Lag Bolts(6'), 2 x 4 Green Recycled Bench Bullnose Plank-Lag Bolts (6'), or 2 x 4 Grey Recycled Bench Bullnose Plank-Lag Bolts (6')	2
10	BRN72-2x4-LB, CDR72-2x4-LB, GRN72-2x4-LB, or GRY72-2x4-LB	2 x 4 Brown Recycled Bench Plank-Lag Bolts (6'), 2 X 4 Cedar Recycled Bench Plank-Lag Bolts (6'), 2 x 4 Green Recycled Bench Plank-Lag Bolts(6'), or 2 x 4 Grey Recycled Bench Plank-Lag Bolts (6')	5

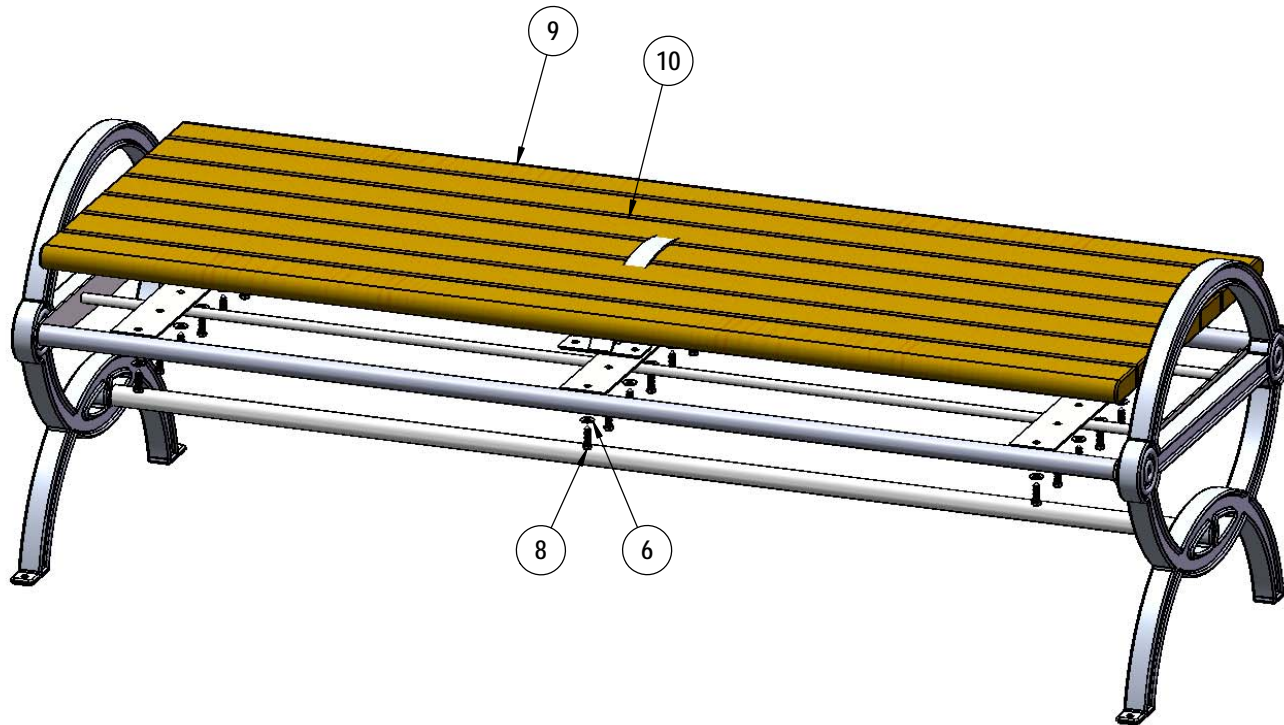
Optional Surface Mount Hardware:
3/8" x 3-1/2" Concrete Expansion Anchor Bolts
(Not Included)

STEP 1



Attach the Recycled Seat Support to the Cast End Frames using the specified hardware.

STEP 2



Attach the 6' Recycled Bench Planks to the Seat Support, placing the 2 Bullnose Planks on the outside, as shown using the specified hardware.

Warning: Over tightening of the Lag Bolts may result in cracking and/or stripping out of the Planks.

OVERALL DIMENSIONS

