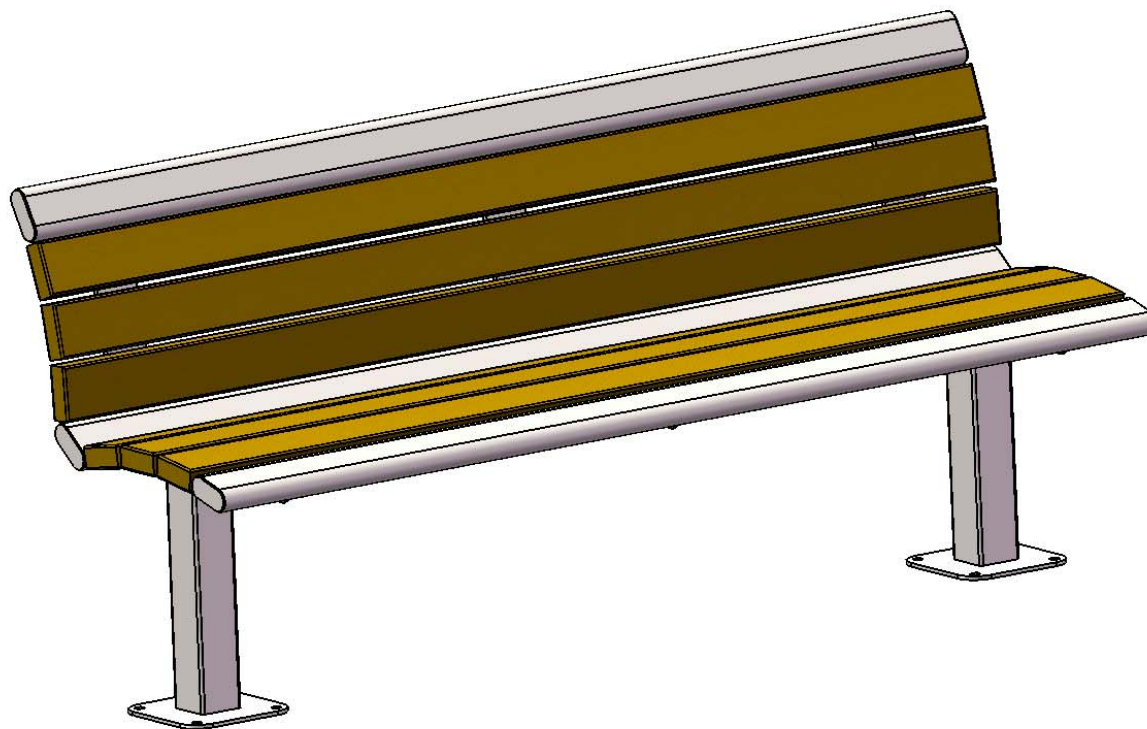


Site Amenities

BY SUPERIOR RECREATIONAL PRODUCTS



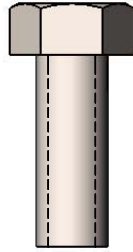
Model #
B6WBARSM-RC

 **SUPERIOR**[®]
RECREATIONAL PRODUCTS
A **PLAYCORE** Company

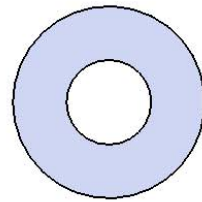
HARDWARE



5/16" x 1-1/4"
Lag Bolt

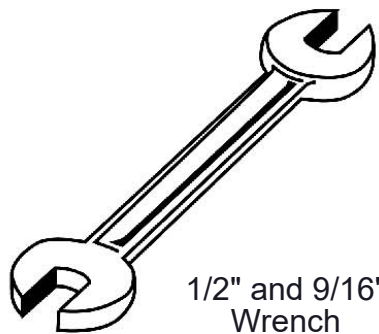


3/18" x 1"
Machine Bolt

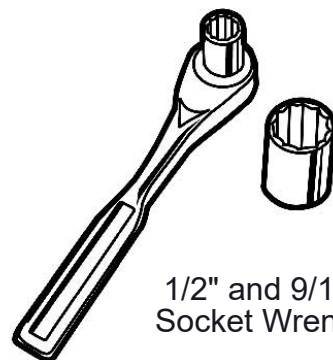


3/8" Flat Washer

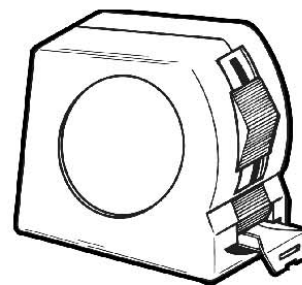
TOOLS REQUIRED



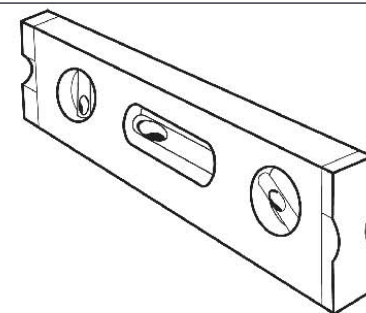
1/2" and 9/16"
Wrench



1/2" and 9/16"
Socket Wrench



Tape Measure



Level

PRODUCT SPECIFICATIONS

B6WBARSM-RC ARCHES SURFACE MOUNT BENCH

Seat & Back: 2x4 recycled planks are made from a minimum of 96% post-consumer or post-industrial recycled plastic. Contains UV stabilizers to prevent fading. End Planks are made from 1-1/2" x 3-1/2" Steel Oval Tube.

Frame: 3" x 3" square x 11 gauge structural steel tubing. Seat support is fabricated from 3/16" angle. All electrically MIG welded.

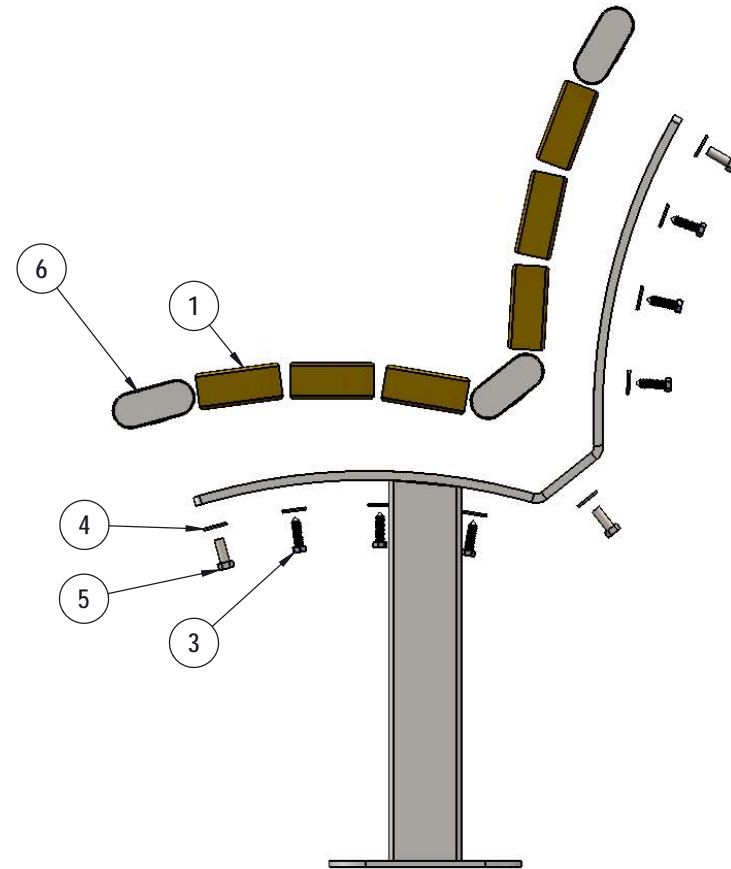
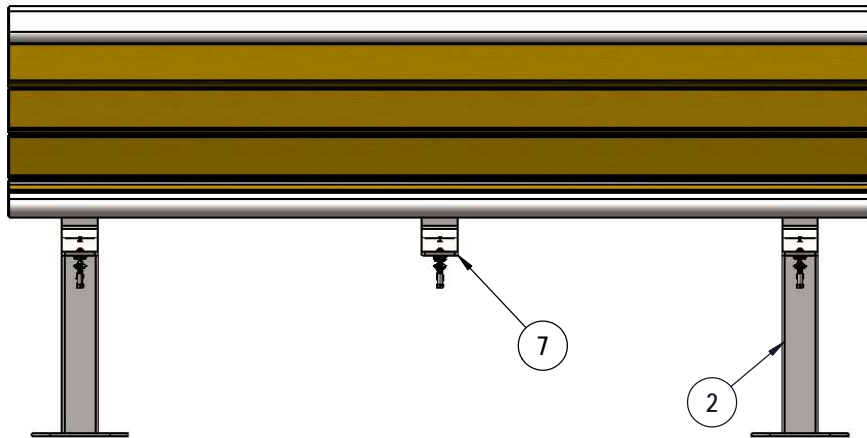
Frame Coating: TGIC electrostatic powder coated application oven cured.

Hardware: All fasteners are stainless steel.

Overall Dimensions: 72" W x 21-3/4" D x 32-3/4" H. Seat height is 18".

COMPONENTS

Attach the 6' Recycled and Steel Planks to the 61 Frames using specified hardware.



Recommended Surface Mount Hardware:
3/8" x 3-1/2" Concrete Expansion Anchor Bolts
(Not Included)

ITEM NO.	PartNo	DESCRIPTION	Qty.
1	BRN72-2x4-LB, CDR72-2x4-LB, GRN72-2x4-LB, or GRY72-2x4-LB	2 x 4 Brown Recycled Bench Plank-Lag Bolts (6'), 2 X 4 Cedar Recycled Bench Plank-Lag Bolts (6'), 2 x 4 Green Recycled Bench Plank-Lag Bolts(6'), or 2 x 4 Grey Recycled Bench Plank-Lag Bolts (6')	6
2	P-01-01-0388	61 Series SM Leg	2
3	33-05-0034	5/16" x 1-1/4" lag bolt, SS	18
4	33-02-0008	3/8" Flat Washer (SS)	27
5	33-06-0056	3/8" x 1" Machine Bolt (SS)	9
6	01-01-0664	6' Oval Tube	3
7	01-01-0665	61 Series Boomerang	1

OVERALL DIMENSIONS

