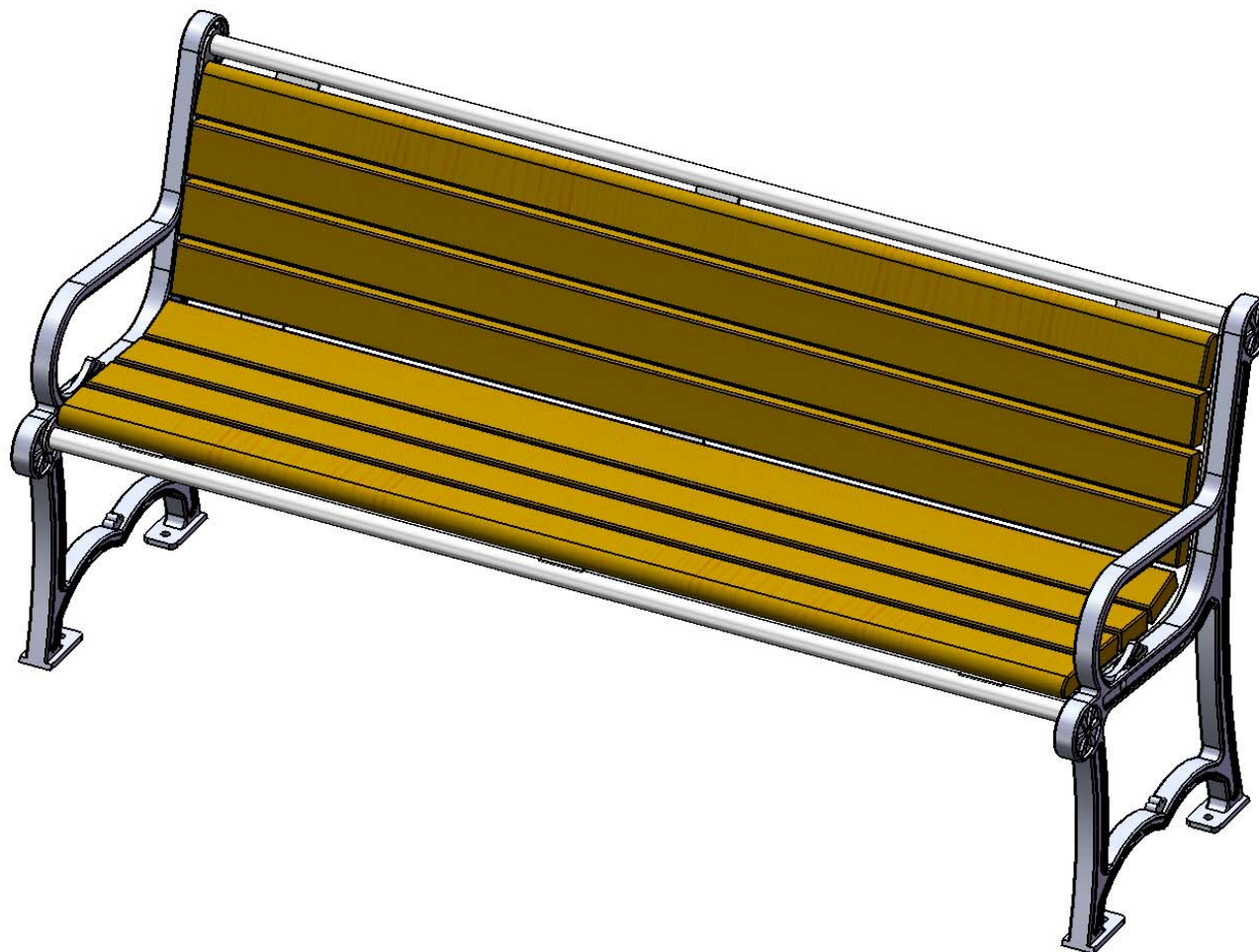


Site Amenities

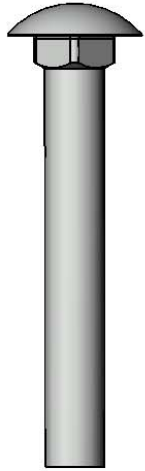
BY SUPERIOR RECREATIONAL PRODUCTS



Model #
B6WBCC

 **SUPERIOR**[®]
RECREATIONAL PRODUCTS
A PLAYCORE Company

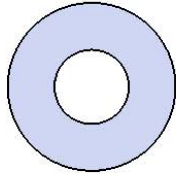
HARDWARE



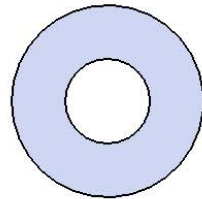
5/16" X 2-1/4"
Carriage Bolt



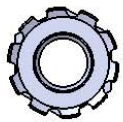
5/16" x 1-1/4"
Lag Bolt



5/16" Washer

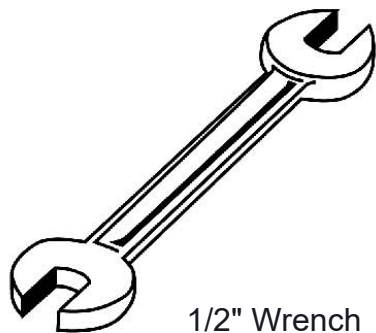


3/8" Washer

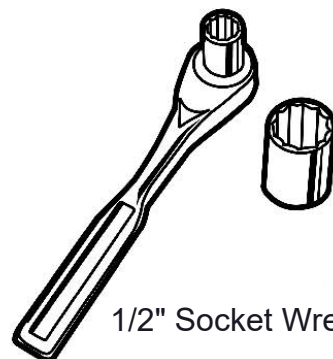


5/16" Washer

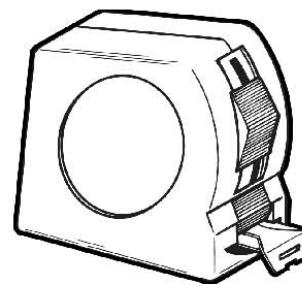
TOOLS REQUIRED



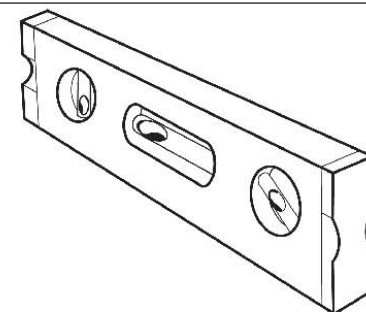
1/2" Wrench



1/2" Socket Wrench



Tape Measure



Level

PRODUCT SPECIFICATIONS

B6WBCC CASCADES BENCH WITH BACK

Seats: 2x4 planks are made from a minimum of 96% post-consumer or post-industrial recycled plastic. Contains UV stabilizers to prevent fading. Seat support frame is made of 7 ga steel plate. Electrically MIG welded.

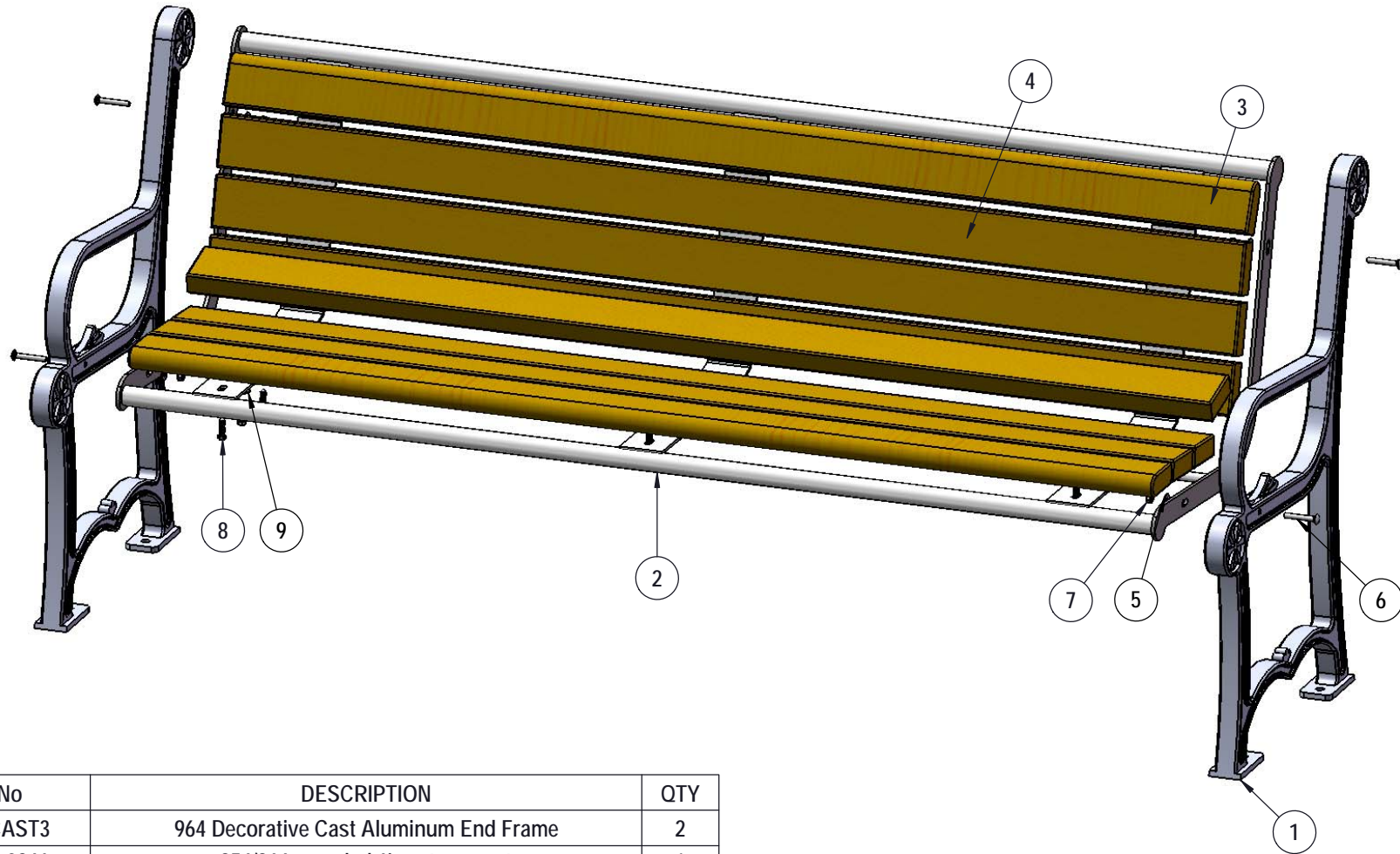
Frame: Legs are cast aluminum.

Frame Coating: Oven fused functionalized polyethylene copolymer-based thermoplastic. Fluidized bed coating application with superior mechanical performance, impact resistance and UV-stability.

Hardware: All fasteners are stainless steel.

Dimensions: 6' portable/surface mount bench with back. Seats are 18" wide x 72" long. Seat height is 19-1/4" from the ground to the top of the seat. The overall dimensions are 76" x 26-3/4" x 35-3/4".

COMPONENTS

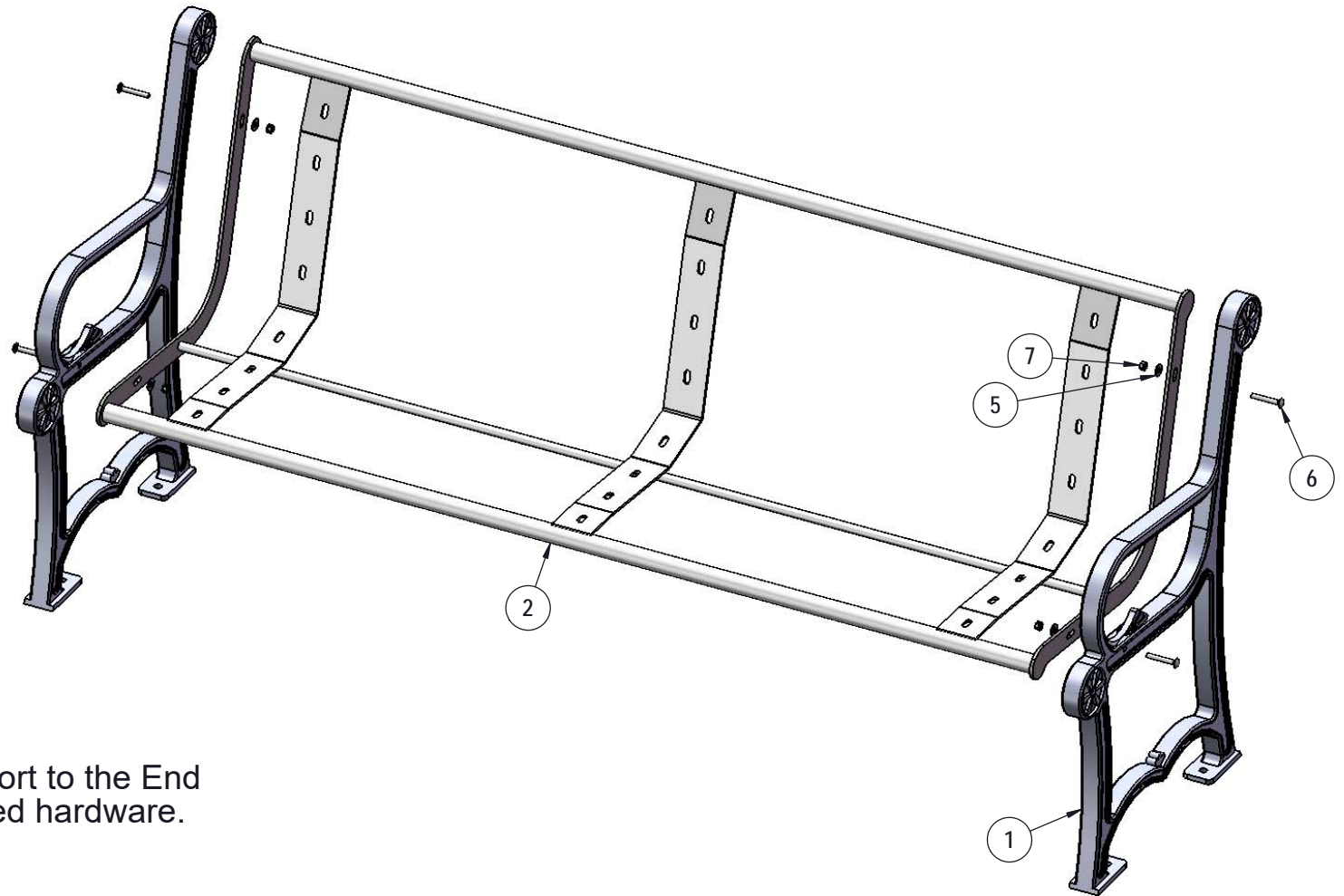


ITEM NO.	PartNo	DESCRIPTION	QTY
1	11-01-CAST3	964 Decorative Cast Aluminum End Frame	2
2	T-01-01-0246	954/964 recycled 6' seat support	1
3	BRN72-2x4B-LB, CDR72-2x4B-LB, GRN72-2x4B-LB, or GRY72-2x4B-LB	2 x 4 Brown Recycled Bench Bullnose Plank-Lag Bolts (6'), 2 X 4 Cedar Recycled Bench Bullnose Plank-Lag Bolts(6'), 2 x 4 Green Recycled Bench Bullnose Plank-Lag Bolts (6'), or 2 x 4 Grey Recycled Bench Bullnose Plank-Lag Bolts (6')	2
4	BRN72-2x4-LB, CDR72-2x4-LB, GRN72-2x4-LB, or GRY72-2x4-LB	2 x 4 Brown Recycled Bench Plank-Lag Bolts (6'), 2 X 4 Cedar Recycled Bench Plank-Lag Bolts (6'), 2 x 4 Green Recycled Bench Plank-Lag Bolts(6'), or 2 x 4 Grey Recycled Bench Plank-Lag Bolts (6')	6
5	33-02-0007	5/16" SS Washer	4
6	33-06-0053	5/16" x 2-1/4" Carriage Bolt (SS)	4
7	33-03-0012	5/16" Kep Nut (SS)	4
8	33-05-0034	5/16" x 1-1/4" lag bolt, SS	24
9	33-02-0008	3/8" Flat Washer (SS)	25

Optional Surface Mount Hardware:
3/8" x 3-1/2" Concrete Expansion Anchor Bolts
(Not Included)

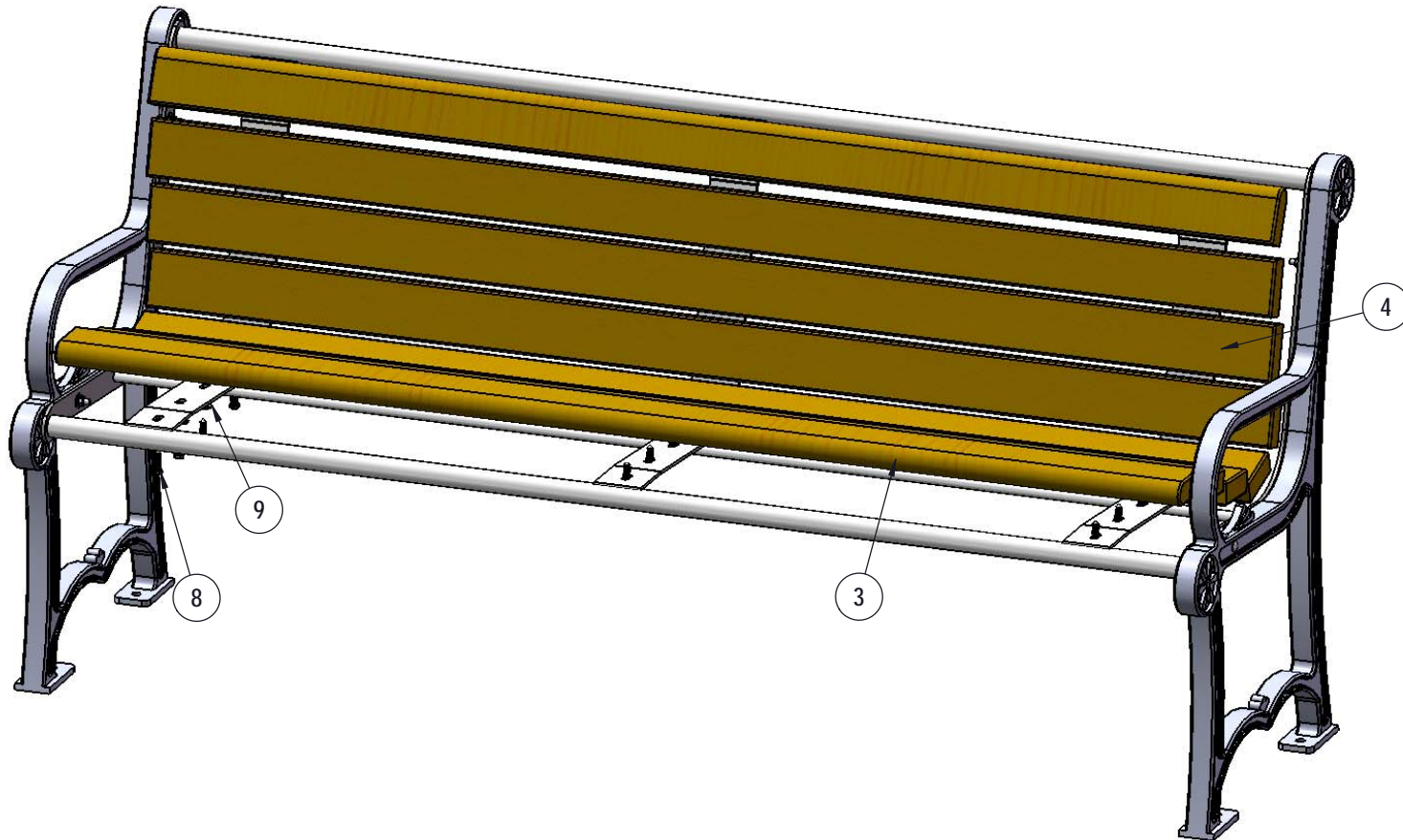


STEP 1



Attach the Seat Support to the End Frames using specified hardware.

STEP 2



Attach the 6' Recycled Bench Planks to the Seat Support, placing the 2 Bullnose Planks on the outside, as shown using specified hardware.

Warning: Over tightening of the Lag Bolts may result in cracking and/or stripping out of the Planks.

OVERALL DIMENSIONS

