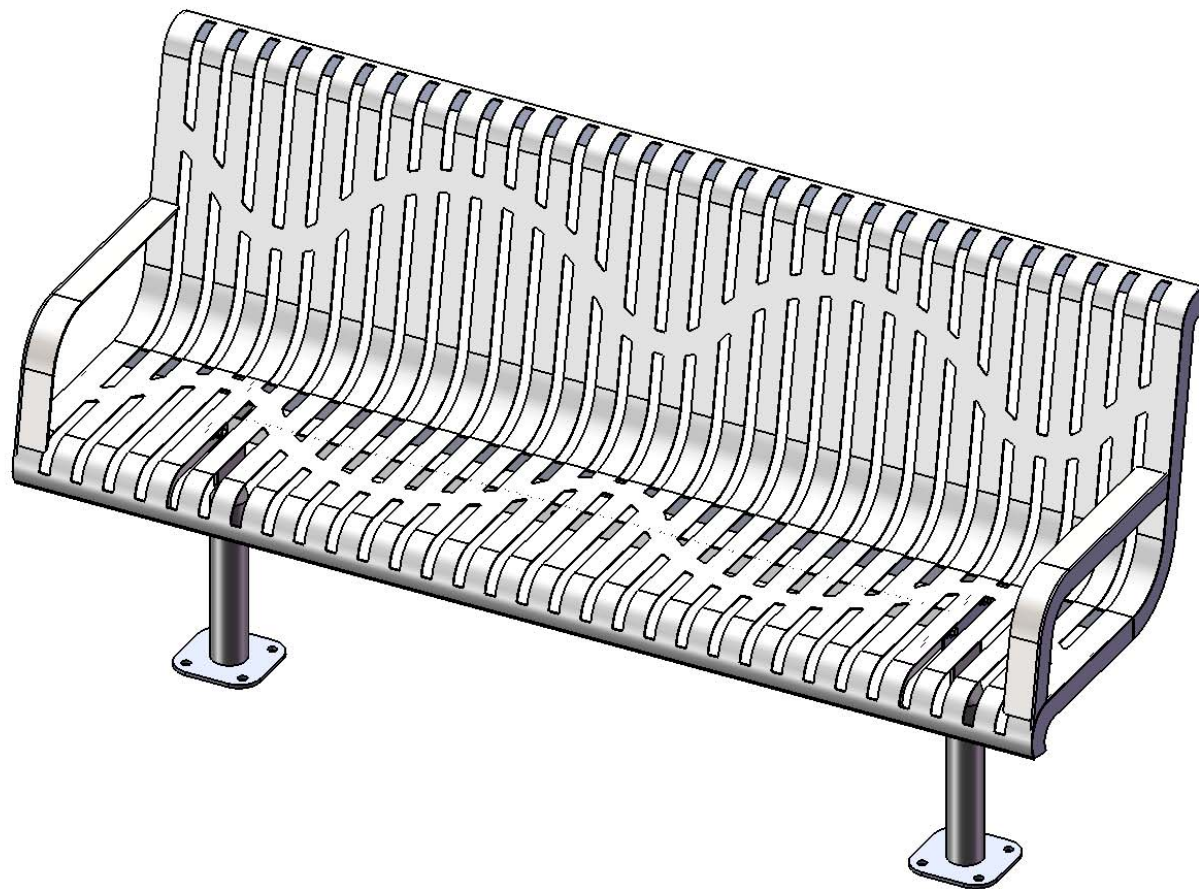


# Site Amenities

BY SUPERIOR RECREATIONAL PRODUCTS



Model #  
B6WBCLASSICWINGLSM

 **SUPERIOR**<sup>®</sup>  
RECREATIONAL PRODUCTS  
A **PLAYCORE** Company

# PRODUCT SPECIFICATIONS

## **B6WBCLASSICWINGLSM SURFACE MOUNT CONTOURED BENCH WITH BACK**

Seats: 12 gauge die formed flat steel plate with laser cut design. End plates are made of 10 gauge flat steel plate. Reinforced with 3/16 x 1-1/2" flat strip. Armrest are made from 7ga steel plate. Electrically MIG welded.

Coating: Oven fused functionalized polyethylene copolymer-based thermoplastic. Fluidized bed coating application with superior mechanical performance, impact resistance and UV-stability.

Frame: Legs are 2-3/8" O.D. x 12 gauge pre-galvanized structural steel tubing. Seat mounting points are 10 gauge x 1-1/2" die stamped steel flat bar. A 6"x6"x1/4" steel plate makes up the surface mount footings. All electrically MIG welded.

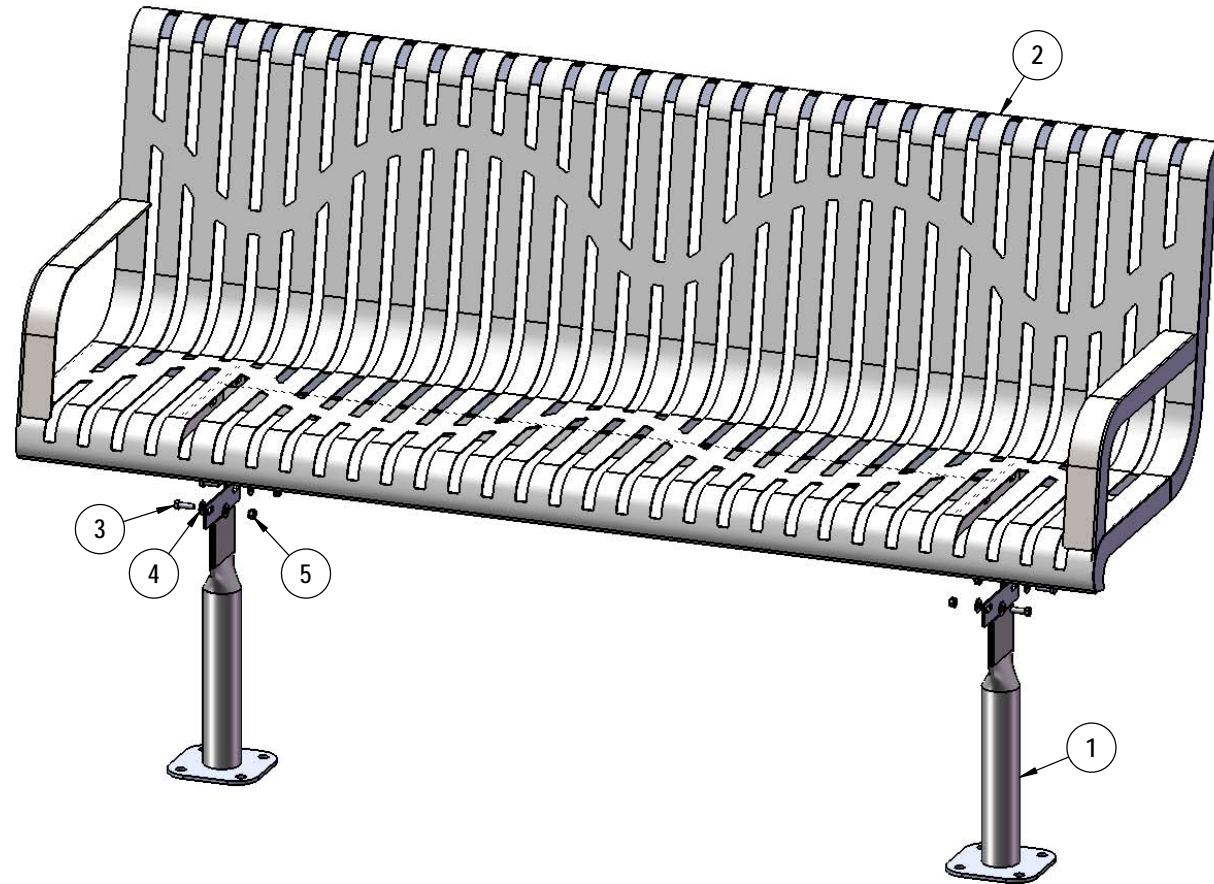
Frame Coating: Electrostatic powder coated application oven cured.

Hardware: All hardware shall be stainless steel.

Dimensions: 6' surface mount bench with back. Seats are 17-3/4" wide x 67-5/8" long. Seat height is 18-5/8" from the ground to the top of the seat. The overall dimensions are 72" x 24-3/4" x 37-13/16".

# COMPONENTS

Attach the 6' Seat to the 942 Legs using specified hardware.



Recommended Surface Mount Hardware:  
3/8" x 3-1/2" Concrete Expansion Anchor Bolts  
(Not Included)

| ITEM NO. | PartNo       | DESCRIPTION                  | QTY |
|----------|--------------|------------------------------|-----|
| 1        | P-V942SM     | 942SM VINYL LEG              | 2   |
| 2        | T-01-01-0930 | 963 6' Classic Modern Seat   | 1   |
| 3        | 33-05-0029   | 5/16" x 1" Machine Bolt (SS) | 4   |
| 4        | 33-02-0007   | 5/16" SS Washer              | 8   |
| 5        | 33-03-0012   | 5/16" Kep Nut (SS)           | 4   |

# OVERALL DIMENSIONS

