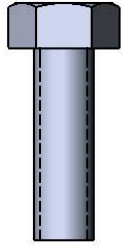
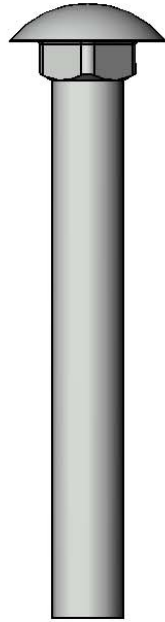


Model # B6WBRCP

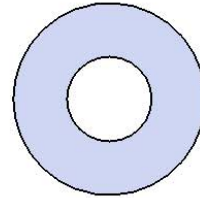
HARDWARE



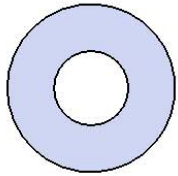
5/16" x 1"
Machine Bolt



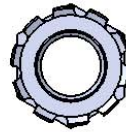
3/8" x 3-1/2"
Carriage Bolt



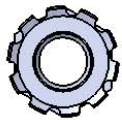
3/8" Washer



5/16" Washer

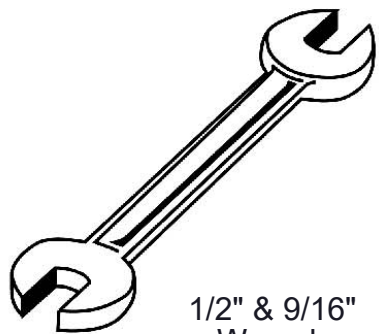


3/8" Kep Nut

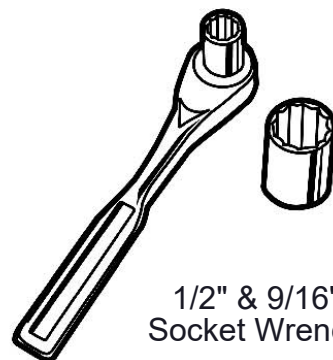


5/16" Kep Nut

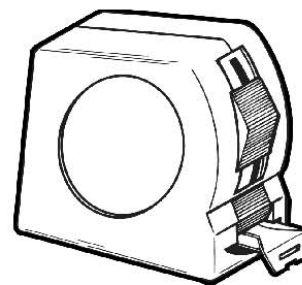
TOOLS REQUIRED



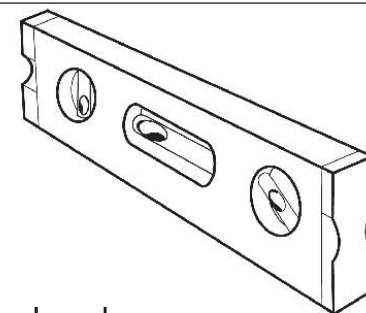
1/2" & 9/16"
Wrench



1/2" & 9/16"
Socket Wrench



Tape Measure



Level

PRODUCT SPECIFICATIONS

B6WBRCP PORTABLE BENCH WITH BACK

Seats & Back: Angle frame made with 2" x 2" x 1/8" structural steel angle. 3/4" #9 steel expanded metal. 10 gauge x 1-1/2" flat bar center support and mounting bracket understructure. Electrically MIG welded.

Coating: Oven fused functionalized polyethylene copolymer-based thermoplastic. Fluidized bed coating application with superior mechanical performance, impact resistance and UV-stability.

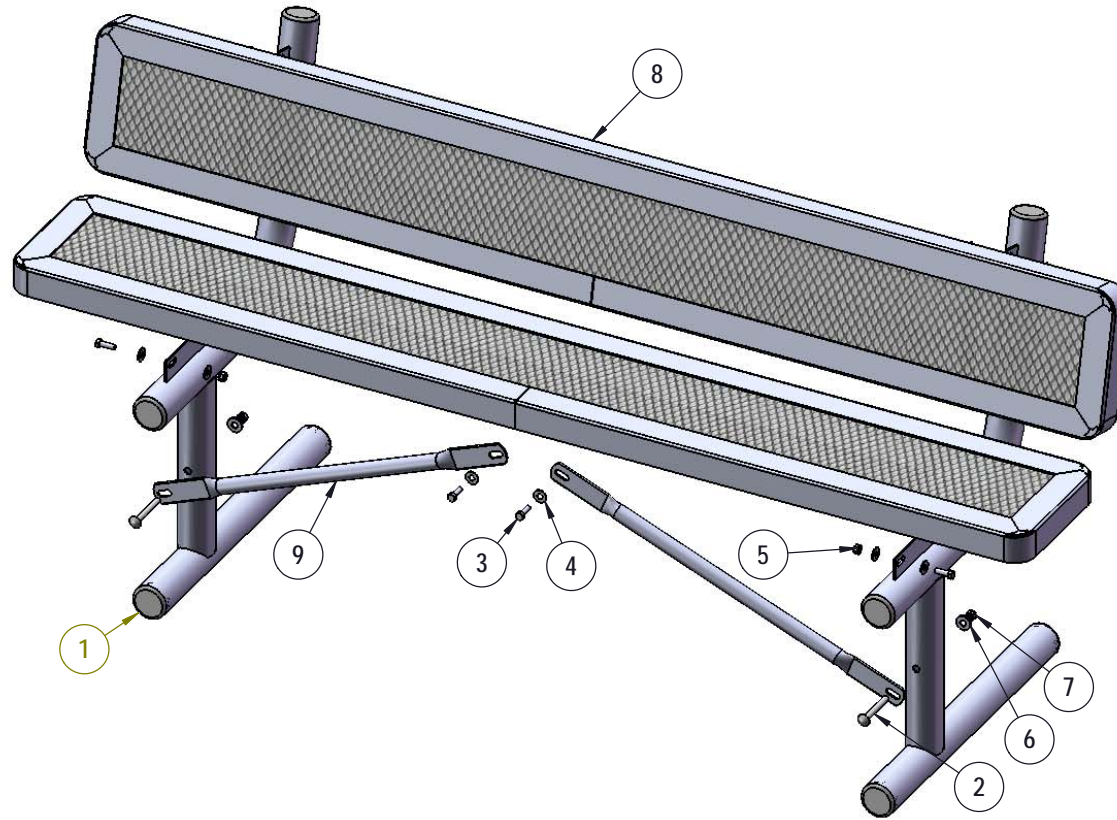
Frame: 2-3/8" O.D. x 12 gauge pre-galvanized structural steel tubing. Seat/back support is bent over a mandrel through the bend radius producing a wrinkle free bend. Tube ends are pre-galvanized steel capped. Seat mounting points are 7 gauge x 1-1/2" die stamped steel flat bar. Cross braces are 1" O.D. x 16 gauge pre-galvanized structural steel tubing. All electrically MIG welded.

Frame Coating: Electrostatic powder coated application oven cured.

Hardware: All stainless steel hardware fasteners.

Dimensions: 6' bench portable with back. Seats and back are 10" wide x 72" long. Seat height is 18-3/8", seat back height is 34-1/4". Total depth of seat with back is 22-3/8".

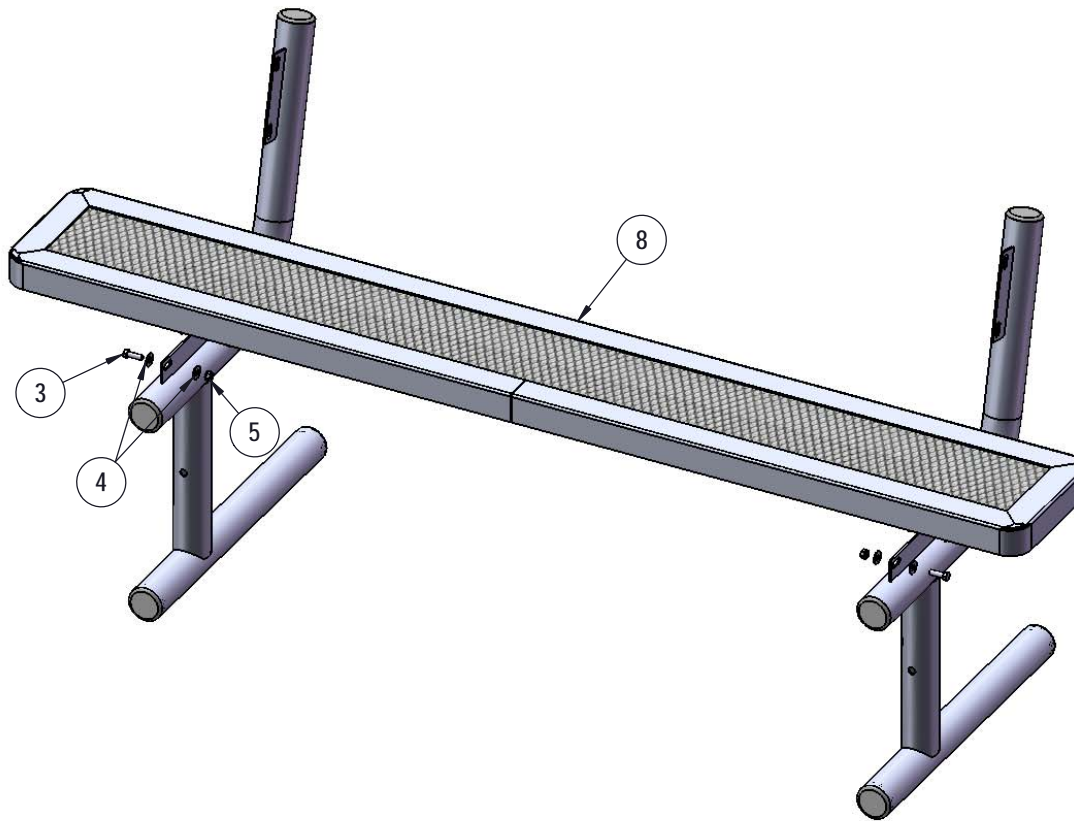
COMPONENTS



ITEM NO.	PartNo	DESCRIPTION	Qty.
1	P-V940P	940P Vinyl Leg	2
2	33-06-0058	3/8" x 3" Carriage Bolt (SS)	2
3	33-05-0029	5/16" x 1" Machine Bolt (SS)	10
4	33-02-0007	5/16" SS Washer	20
5	33-03-0012	5/16" Keps Nut (SS)	10
6	33-02-0008	3/8" Flat Washer (SS)	2
7	33-03-0013	3/8" Keps Nut (SS)	2
8	RC72-S	6' long x 10" wide regal expanded seat	2
9	P-01-04-0129	26 3/4" Brace	2

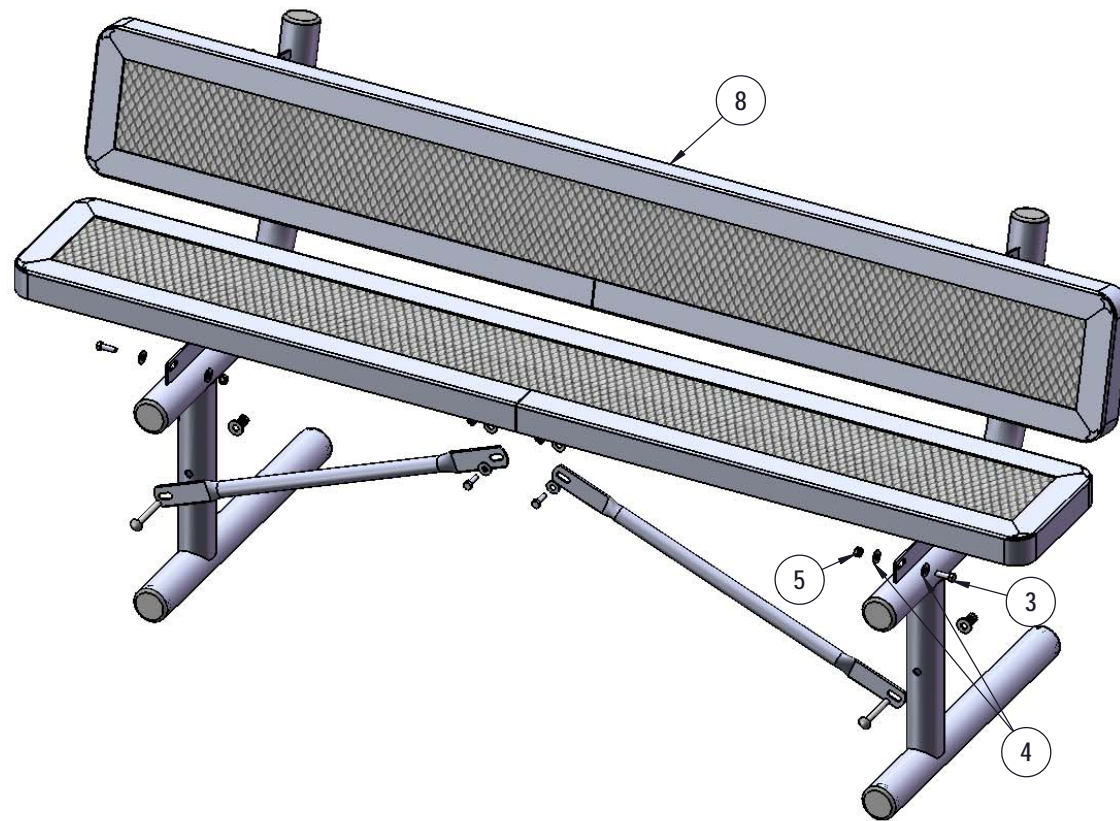
Superior[®]
 RECREATIONAL PRODUCTS
A PLAYCORE Company

STEP 1



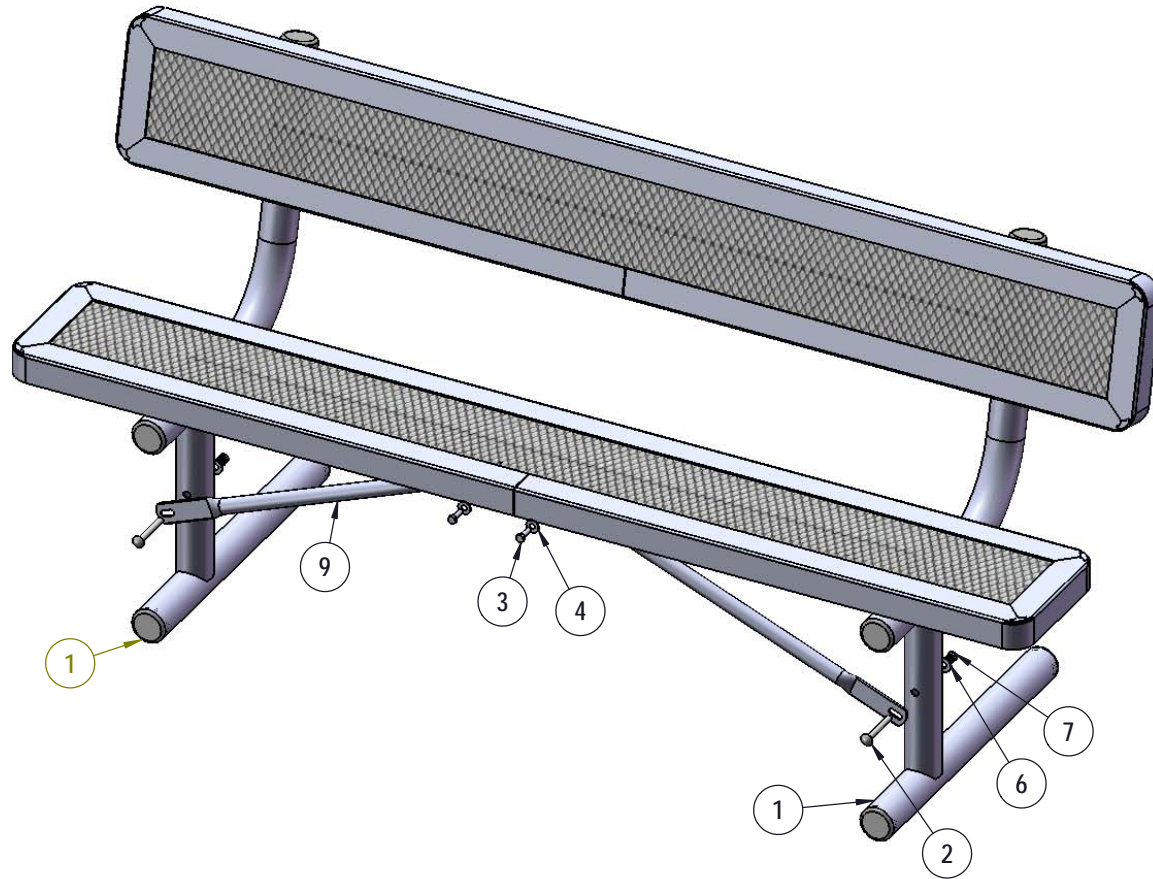
Attach the 6' Expanded Seat to the 940 legs using specified hardware.

STEP 2



Repeat Step 1 for the back.

STEP 3



Attach the 29-1/2" Braces to the 940 legs as shown using specified hardware.

OVERALL DIMENSIONS

