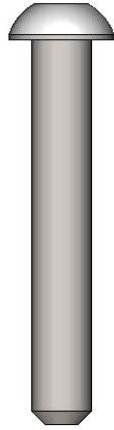
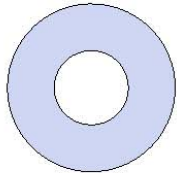


Model # B6WBRN

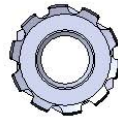
HARDWARE



5/16" x 2"
Button Head Bolt

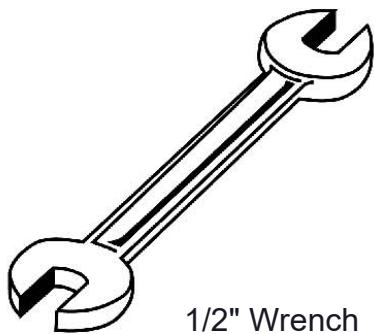


5/16" Washer

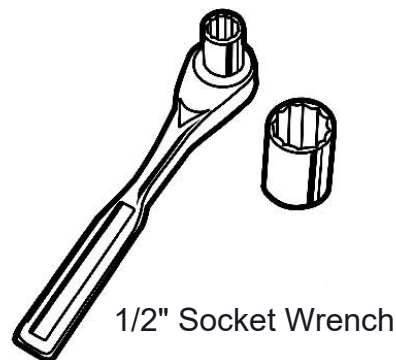


5/16" Keps Nut

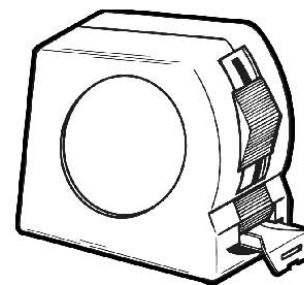
TOOLS REQUIRED



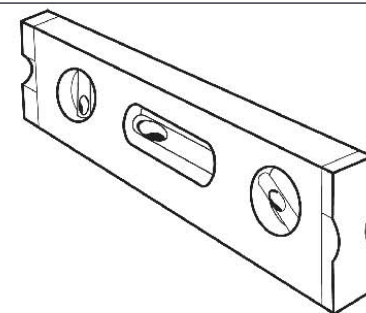
1/2" Wrench



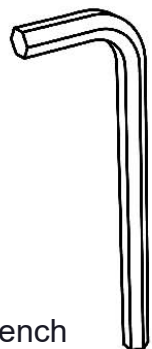
1/2" Socket Wrench



Tape Measure



Level



1/2" Allen Wrench

PRODUCT SPECIFICATIONS

B6WBRN 6' Rainier Bench with Back

Seats: Seats dimensions are 16" x 26" x 72". 12 gauge die formed flat steel plate with precision punched design. End plates are made of 10 gauge flat steel plate. Reinforced with 3/16 x 1-1/2" flat strip and 1" sch 40 Pipe. Electrically MIG welded.

Frame: Legs are cast aluminum.

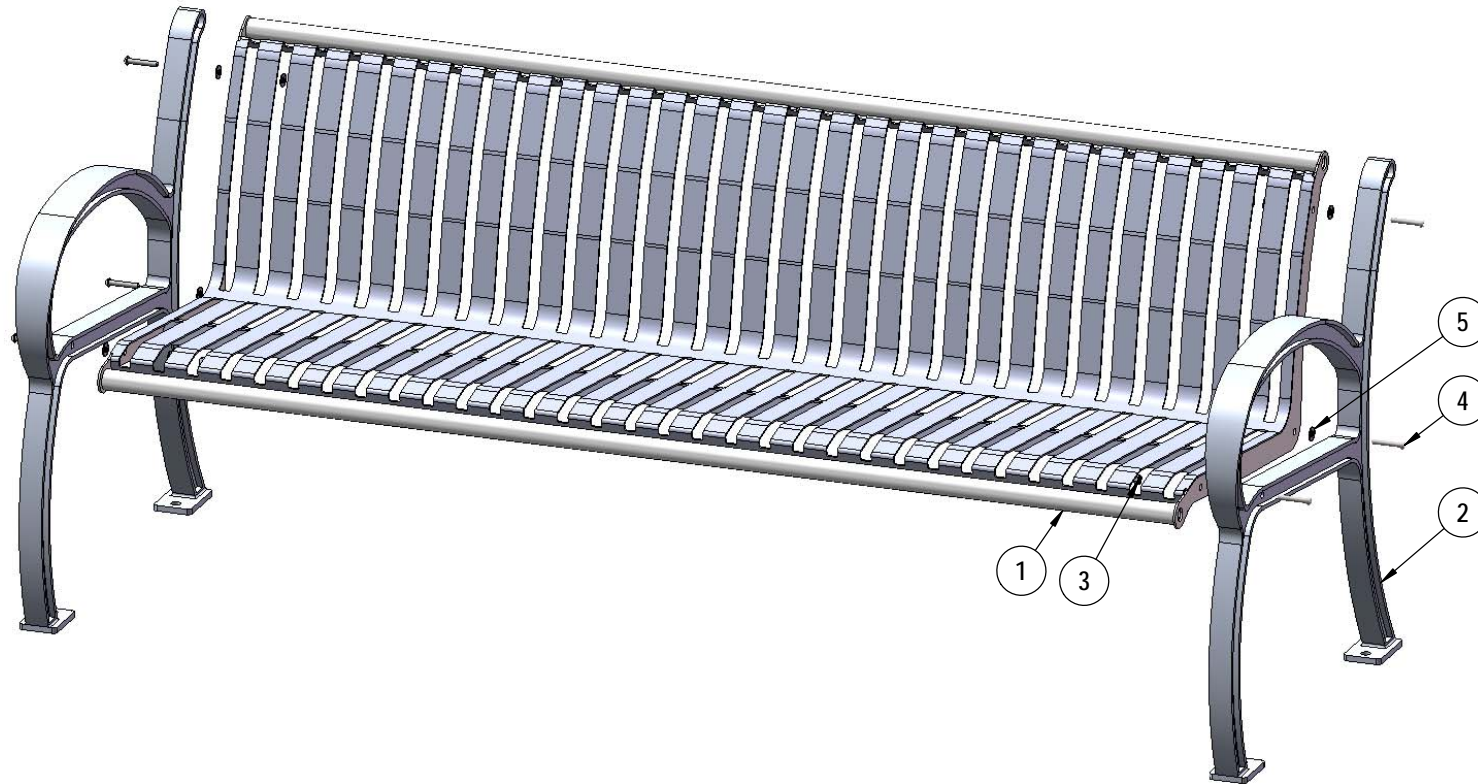
Seat & Frame Coating: Steel is sandblasted to near white condition. Coated with zinc rich epoxy primer and top coated with electrostatic powdercoat, oven cured.

Hardware: All stainless steel hardware fasteners.

Dimensions: 6' portable/surface mount bench with back. Seat is 26" wide x 71-11/16" long. Seat height is 18" from the ground to the top of the seat. The overall dimensions are 32-5/16" x 29" x 76".

COMPONENTS

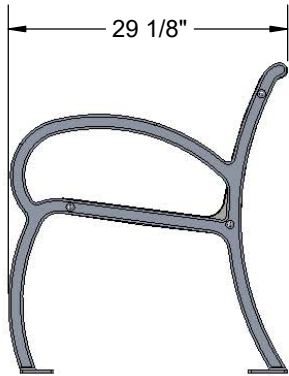
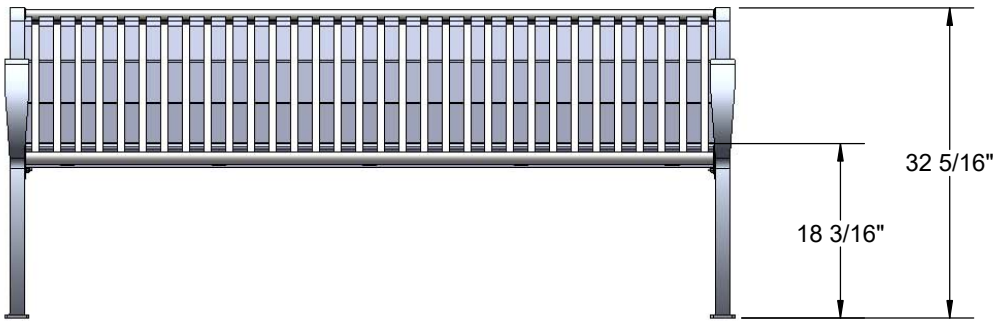
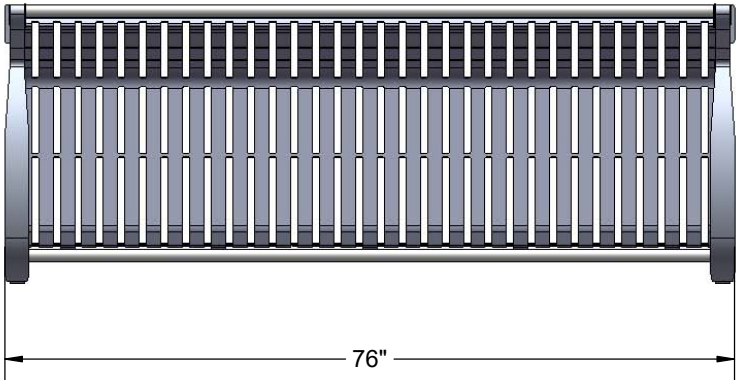
Attach the 6' Contour Seat to the 974 Legs using the specified hardware.



ITEM NO.	PartNo	DESCRIPTION	Qty.
1	01-01-0539	6' Slat Wilmington Contour Seat	1
2	11-01-CAST5	974 Casted Aluminum Bench Frame	2
3	33-03-0012	5/16" Kep Nut (SS)	6
4	P-33-06-0125	5/16"-18 x 2" Button Head Bolt (SS)	6
5	33-02-0007	5/16" SS Washer	12

Superior[®]
 RECREATIONAL PRODUCTS
A PLAYCORE Company

OVERALL DIMENSIONS



Superior[®]
RECREATIONAL PRODUCTS
A PLAYCORE Company