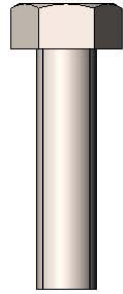


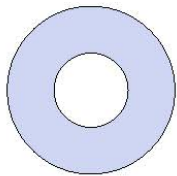


Model # B8BCGS

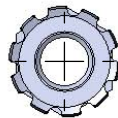
# HARDWARE



5/16" x 1-1/4"  
Machine Bolt

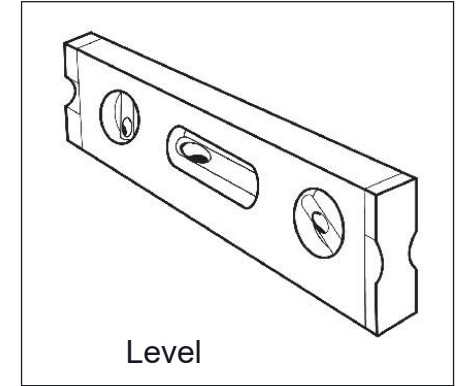
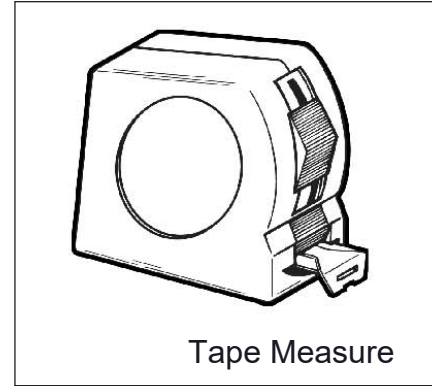
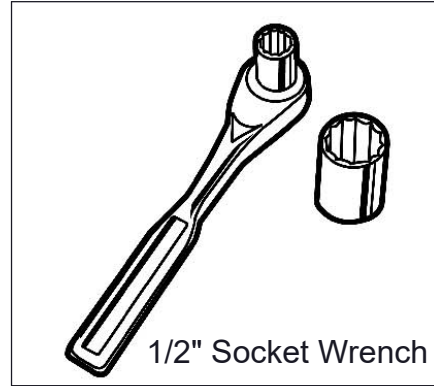
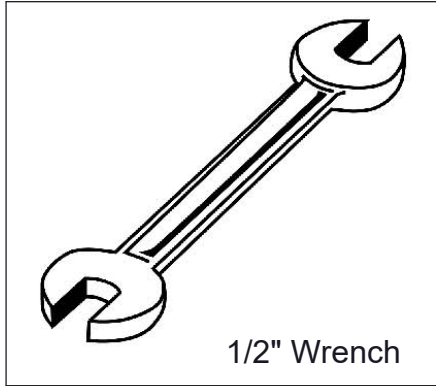


5/16" Washer



5/16" Kep Nut

## TOOLS REQUIRED



# PRODUCT SPECIFICATIONS

## **B8BCGS**

### **8' Biscayne Geometric Bench without Back, Inground Mount**

Seat and Back: Seats are fabricated from 1" x 1" x 11 ga. steel square and 2" x 1" x 11ga steel tubing. Attachment brackets are 7ga formed sheet steel. All electrically MIG welded.

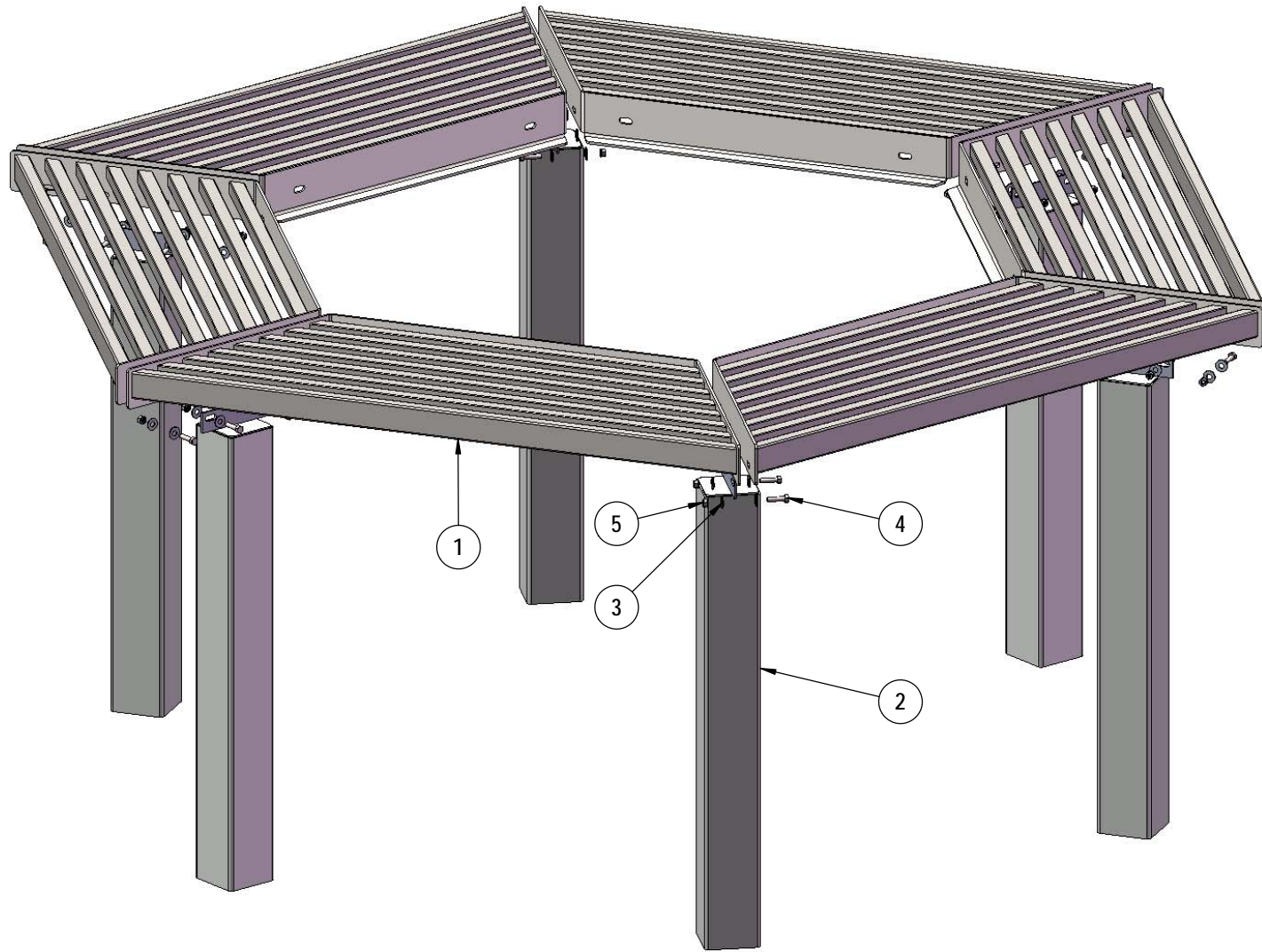
Frame: Bench legs shall be fabricated from 4" x 4" x 11 gauge pre-galvanized steel square tubing. Attachment plates are made from 10ga sheet steel. Surface mounting plates shall be 8" sq x 1/4" steel plate. All electrically MIG welded.

Coating: Steel is sandblasted to near white condition. Coated with zinc rich epoxy primer and top coated with electrostatic powder coat, oven cured.

Hardware: All stainless steel hardware.

Dimensions: 8' inground bench without back: Seats are 15-7/8" wide x 46" long. Seat height is 19" from the ground to the top of the seat. The overall dimensions are 79-3/4" x 92-7/16" x 37-1/8".

# COMPONENTS

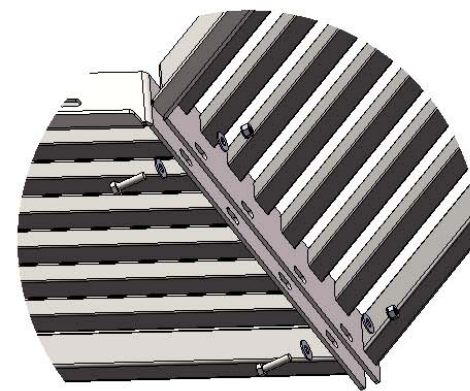
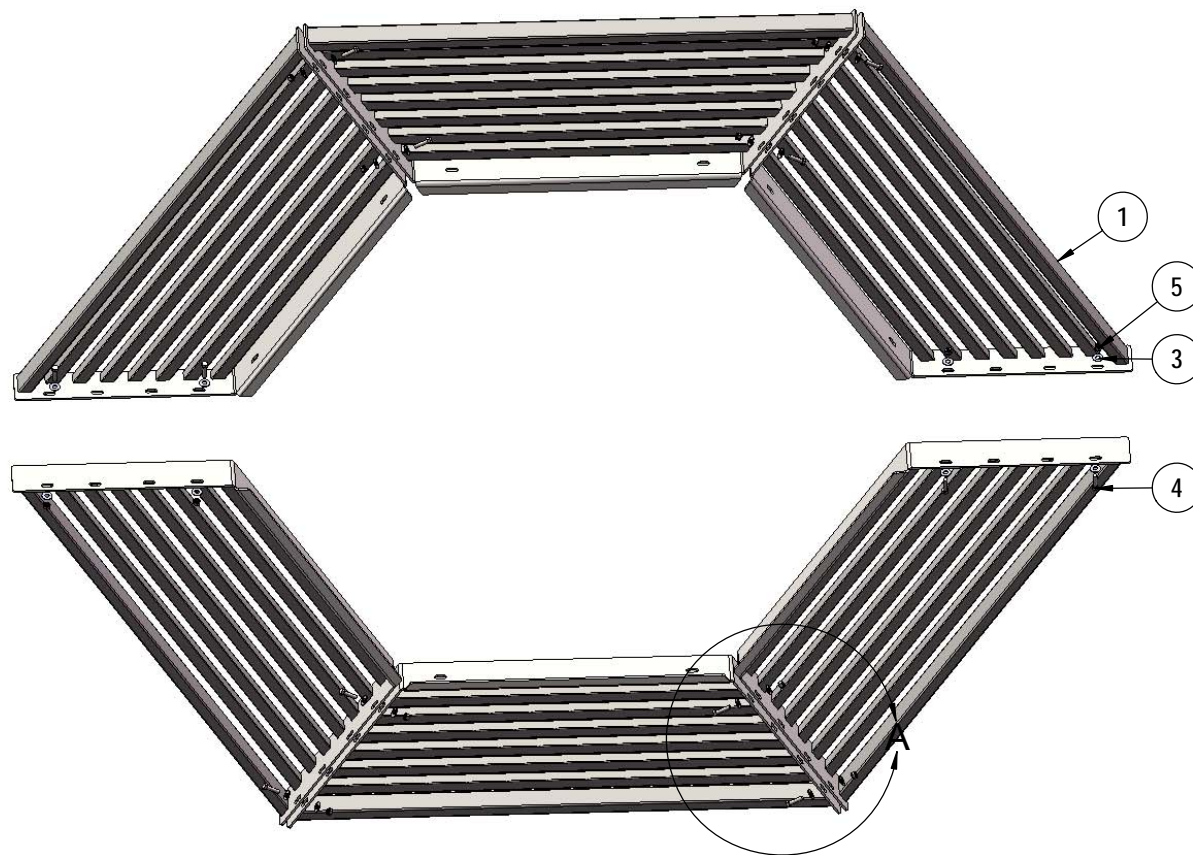


ITEM NO.	PartNo	DESCRIPTION	Qty.
1	01-01-0998	Hexagon Tree Bench Seat 4'	6
2	P-V349S-S	Vinyl S Seat leg	6
3	33-02-0007	5/16" SS Washer	48
4	33-05-0028	5/16" x 1 1/4" Machine Bolt (SS)	24
5	33-03-0012	5/16" Kep Nut (SS)	24

**Superior**<sup>®</sup>  
 RECREATIONAL PRODUCTS  
A PLAYCORE Company

# STEP 1

Seat planks bolt together using the 2 outside attachment holes.  
The legs are easier to attach if seat sections are pre-assembled in sections of 2-3.

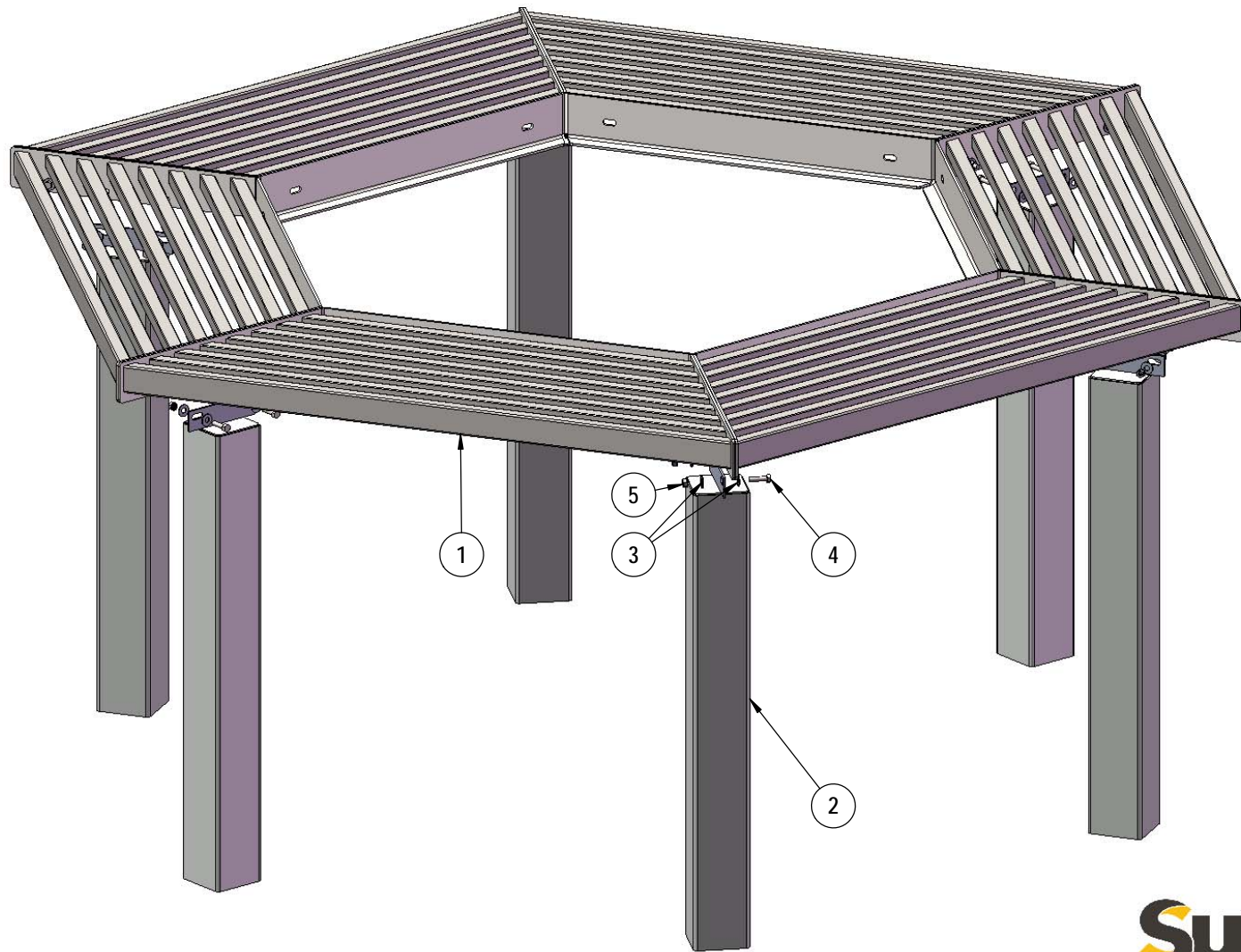


DETAIL A  
SCALE 1 : 8

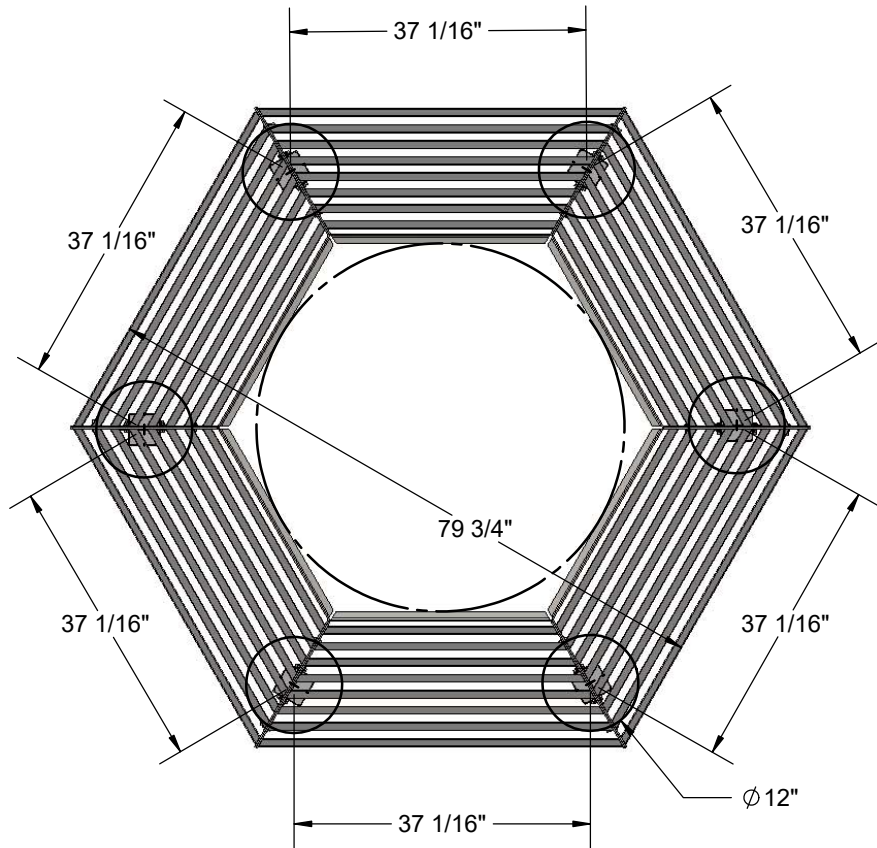
**Superior**<sup>®</sup>  
RECREATIONAL PRODUCTS  
A PLAYCORE Company

## STEP 2

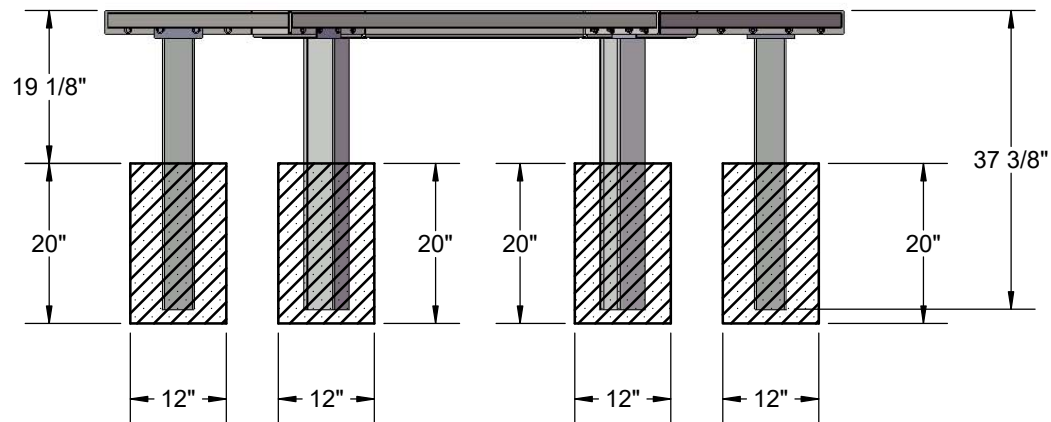
Attach legs to the planks using the 2 center attachment holes. Please note- each leg should be attached to each set of planks on the same side as you work your way around the bench.



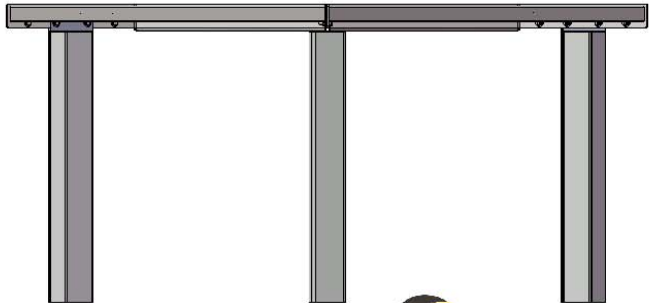
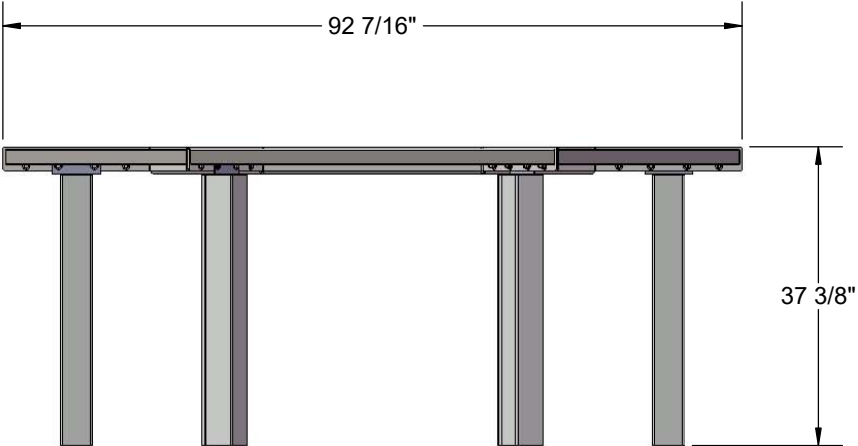
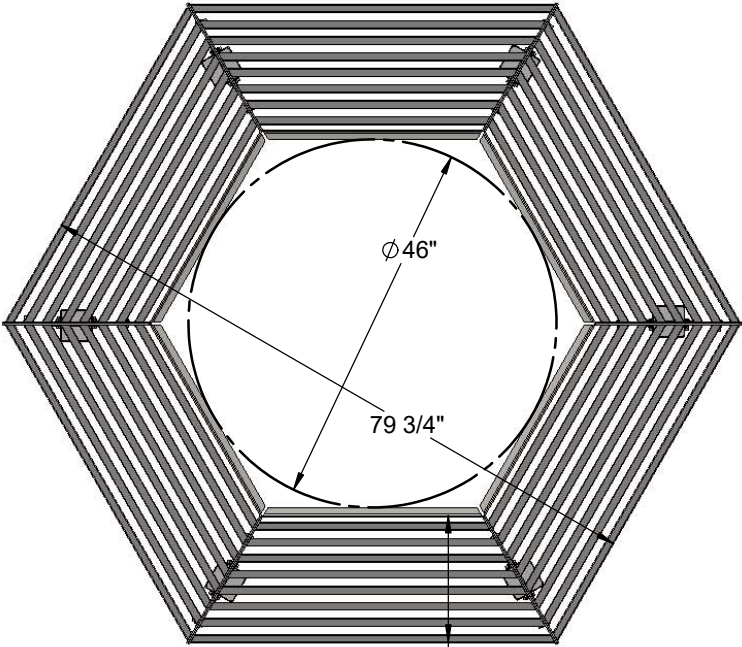
# FOOTINGS



Estimated Required Concrete  
21 - 50 lb Bas of Concrete Mix



# OVERALL DIMENSIONS



**Superior**<sup>®</sup>  
RECREATIONAL PRODUCTS  
A PLAYCORE Company