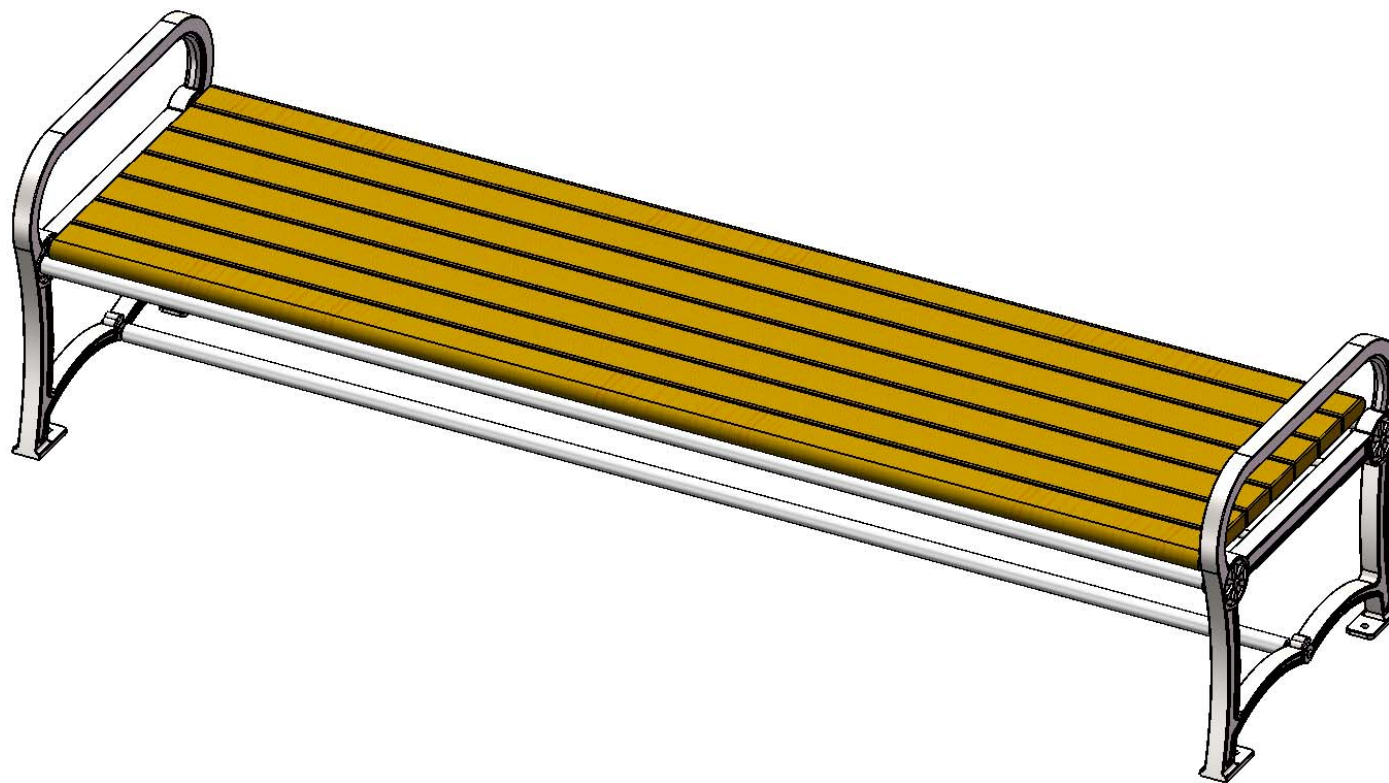


Site Amenities

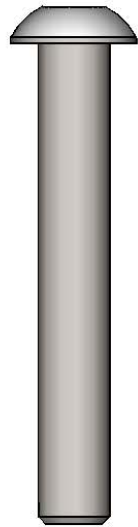
BY SUPERIOR RECREATIONAL PRODUCTS



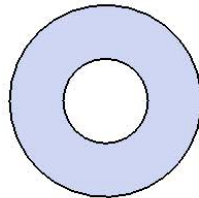
Model #
B8CC

 **SUPERIOR**[®]
RECREATIONAL PRODUCTS
A **PLAYCORE** Company

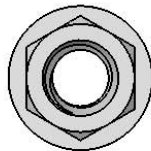
HARDWARE



3/8" x 2-1/2" Button
Head Allen Bolt



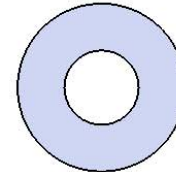
3/8" Flat Washer



3/8" Flange Nut

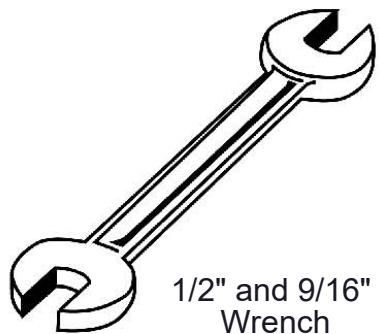


5/16" x 1-1/4"
Lag Bolt

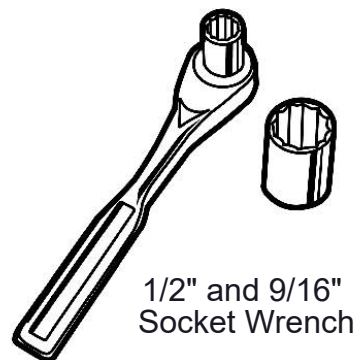


5/16" Flat Washer

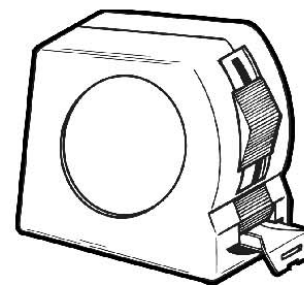
TOOLS REQUIRED



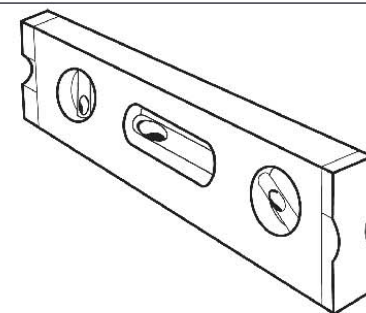
1/2" and 9/16"
Wrench



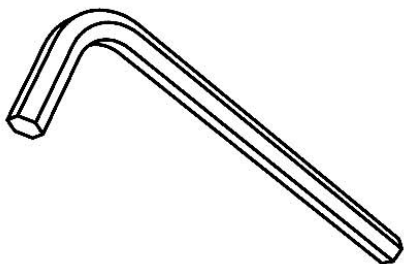
1/2" and 9/16"
Socket Wrench



Tape Measure



Level



7/32" Allen Wrench

PRODUCT SPECIFICATIONS

B8CC CASCADES RECYCLED BENCH WITHOUT BACK

Seats: Seats dimensions are 26-1/2" x 72". 2x4 planks are made from a minimum of 96% post-consumer or post-industrial recycled plastic. Contains UV stabilizers to prevent fading. Reinforced with 1/8" x 3" flat strip and 1-5/16" tube. Electrically MIG welded.

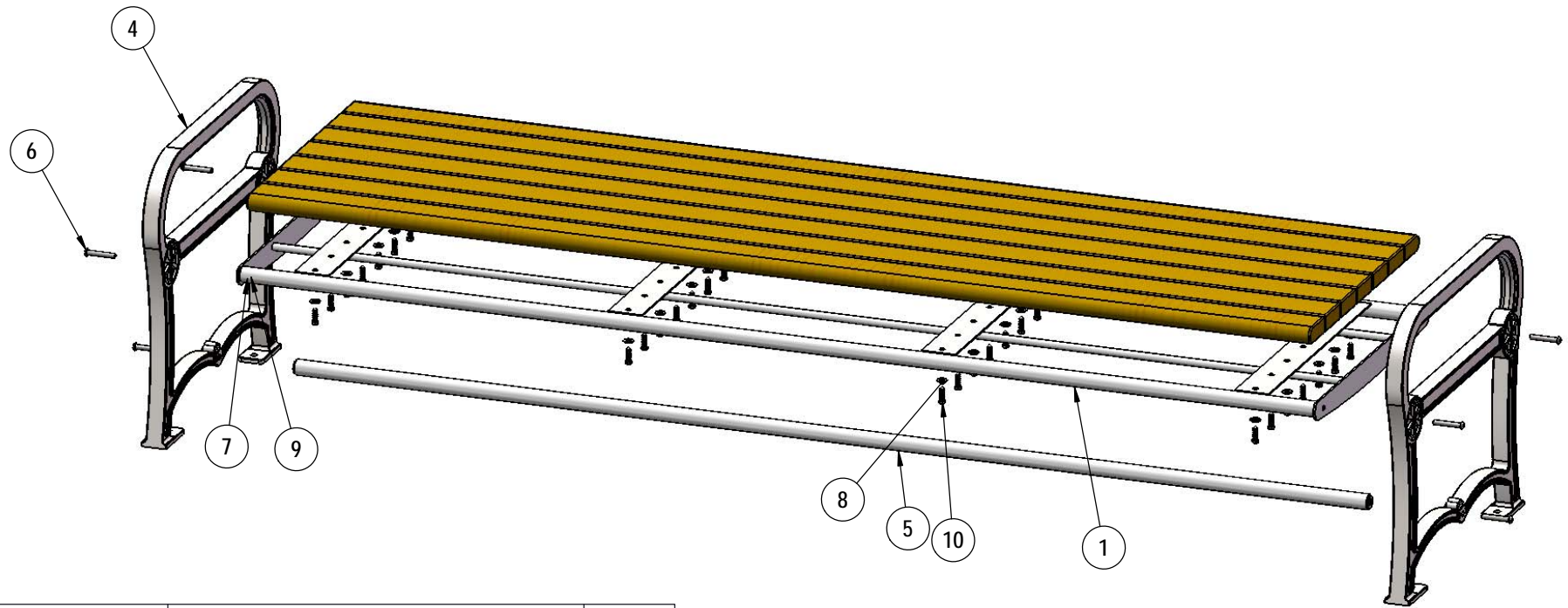
Frame: Legs are cast aluminum.

Seat & Frame Coating: Oven fused functionalized polyethylene copolymer-based thermoplastic. Fluidized bed coating application with superior mechanical performance, impact resistance and UV-stability.

Hardware: All stainless steel hardware fasteners.

Dimensions: 8' portable/surface mount bench without back. Seats are 26-1/2" wide x 96" long. Seat height is 18" from the ground to the top of the seat. The overall dimensions are 100" x 28" x 25".

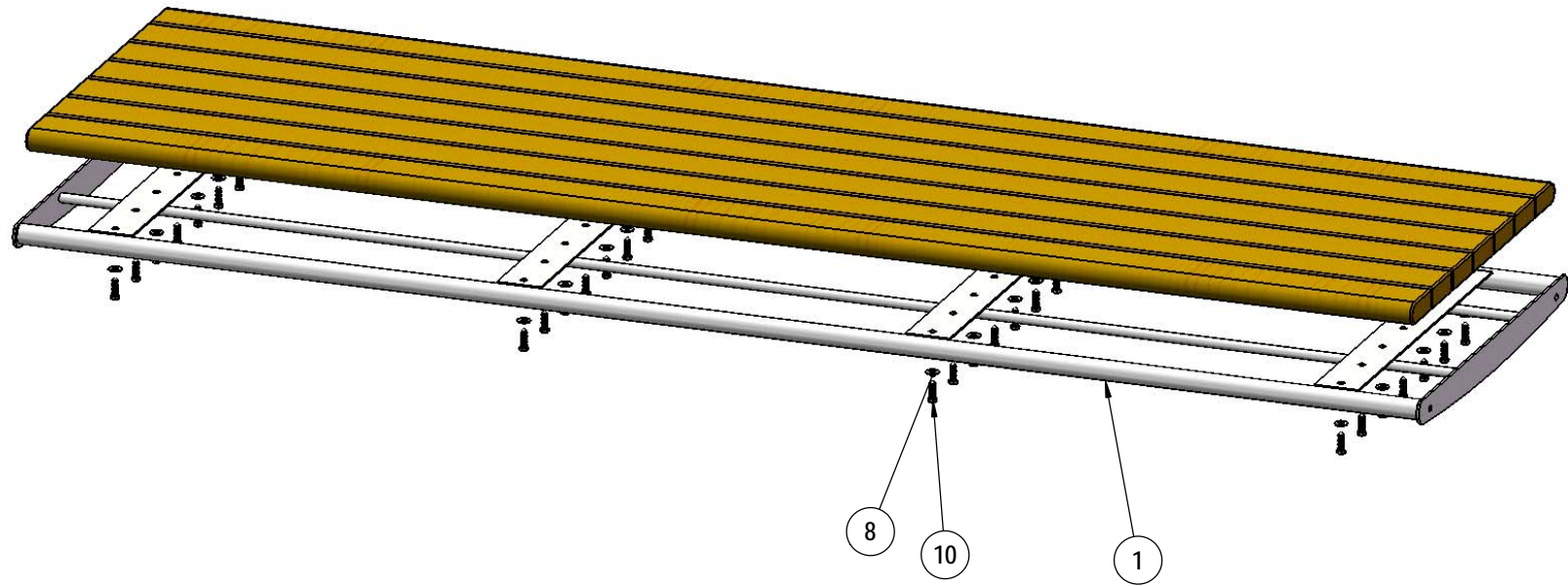
INSTRUCTIONS



ITEM NO.	PartNo	DESCRIPTION	QTY
1	T-01-01-0528	8' Recycled Flat Contour Frame - Welded	1
2	BRN96-2x4-LB, CDR96-2x4-LB, GRN96-2x4-LB, or GRY96-2x4-LB	2 x 4 Brown Recycled Bench Plank-Lag Bolts (8'), 2 X 4 Cedar Recycled Bench Plank-Lag Bolts (8'), 2 x 4 Green Recycled Bench Plank-Lag Bolts (8'), or 2 x 4 Grey Recycled Bench Plank-Lag Bolts (8')	5
3	BRN96-2x4B-LB, CDR96-2x4B-LB, GRN96-2x4B-LB, or GRY96-2x4B-LB	2 x 4 Brown Recycled Bench Bullnose Plank-Lag Bolts (8'), 2 X 4 Cedar Recycled Bench Bullnose Plank-Lag Bolts(8'), 2 x 4 Green Recycled Bench Bullnose Plank-Lag Bolts (8'), or 2 x 4 Grey Recycled Bench Bullnose Plank-Lag Bolts (8')	2
4	11-01-CAST4	968 Casted Aluminum Frame (Contoured Flat Bench)	2
5	01-01-0500	96" Support Bar	1
6	33-06-0093	3/8"-16 x 2-1/2" Button Head Bolt (SS)	6
7	33-02-0008	3/8" Flat Washer (SS)	4
8	33-02-0007	5/16" SS Washer	28
9	33-03-0013	3/8" Kep Nut (SS)	4
10	33-05-0034	5/16" x 1-1/4" lag bolt, SS	28

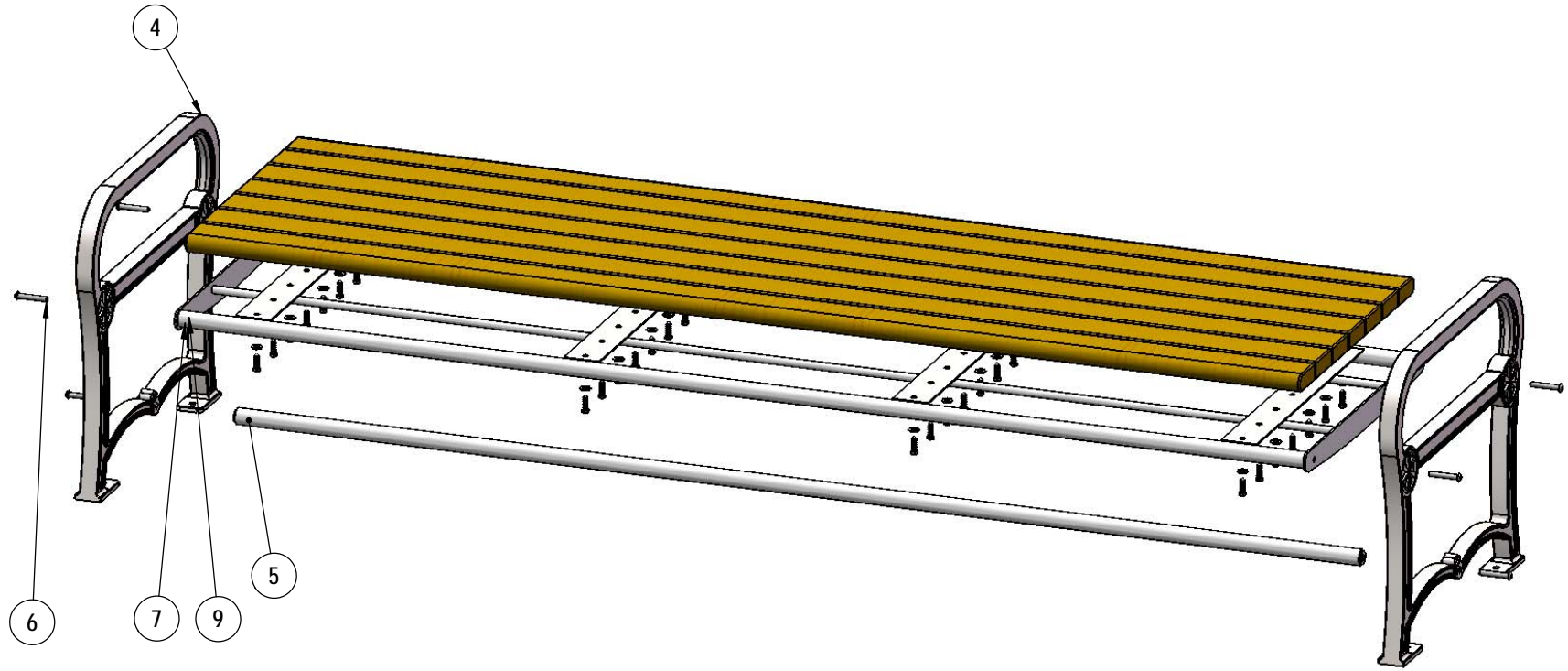
Recommended Surface Mount Hardware:
3/8" x 3-1/2" Concrete Expansion Anchor Bolts
(Not Included)

INSTRUCTIONS



Attach the 8' Recycled Planks to the Seat Frame using the specified hardware.

INSTRUCTIONS



Attach the 8' Seat Frame and Support Bar to the Cast End Frames using the specified hardware.

OVERALL DIMENSIONS

