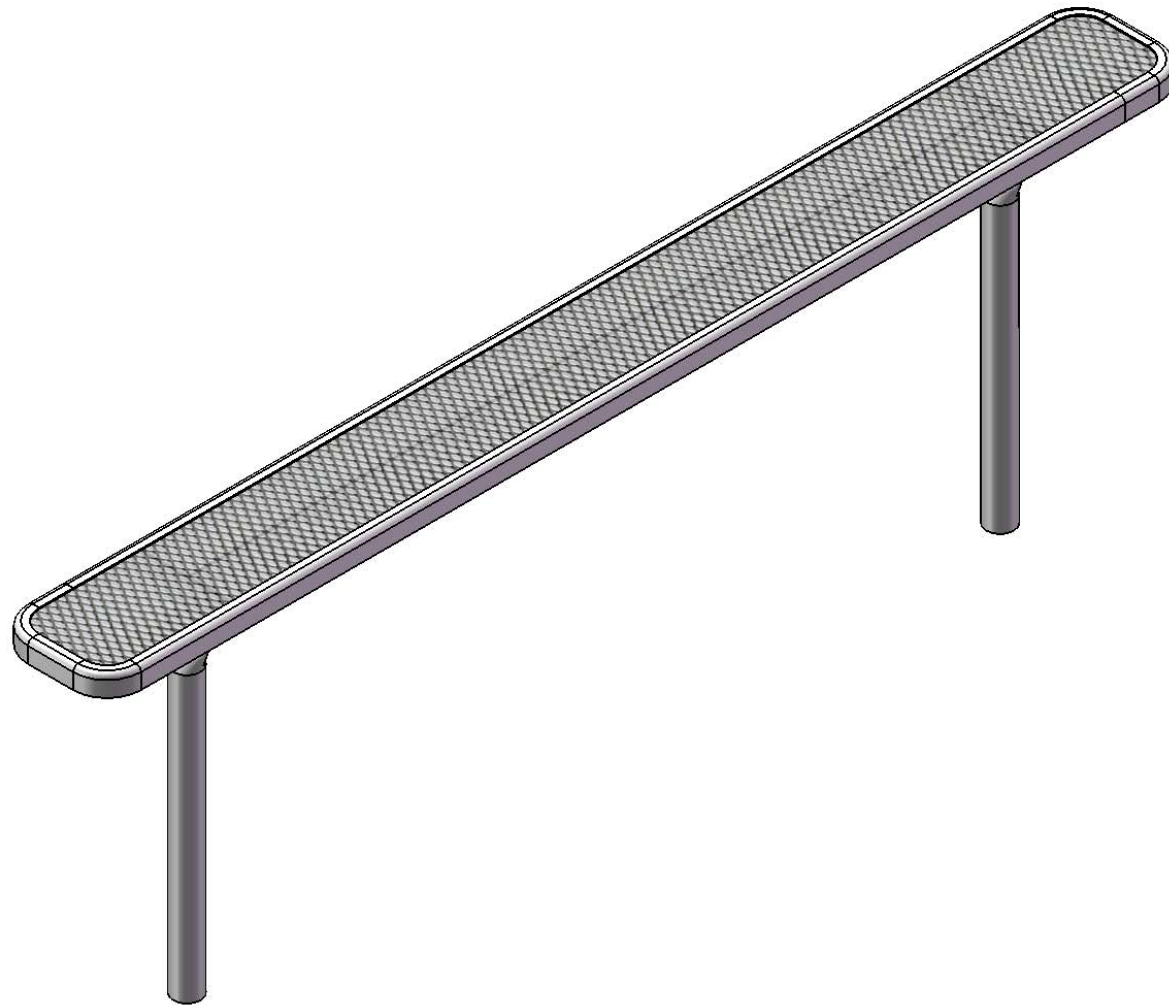


# Site Amenities

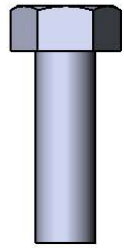
BY SUPERIOR RECREATIONAL PRODUCTS



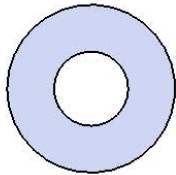
Model # B8ULS

 **SUPERIOR**<sup>®</sup>  
RECREATIONAL PRODUCTS  
A **PLAYCORE** Company

# HARDWARE



5/16" x 1"  
Machine Bolt



5/16" Washer



5/16" Kep Nut

## PRODUCT SPECIFICATIONS

### **B8ULS INGROUND BENCH WITHOUT BACK**

**Seats:** 11 gauge die formed angle frame 1"x1-7/8" with 3" radius corners. 3/4" #9 steel expanded metal. 10 gauge x 1-1/2" flat bar center support and mounting bracket understructure. Electrically MIG welded.

**Seat Coating:** Oven fused functionalized polyethylene copolymer-based thermoplastic. Fluidized bed coating application with superior mechanical performance, impact resistance and UV-stability.

**Frame:** 2-3/8" O.D. x 12 gauge pre-galvanized structural steel tubing. Seat mounting points 7 gauge x 1-1/2" die stamped steel flat bar. Electrically MIG welded.

**Frame Coating:** Electrostatic powder coated application oven cured.

**Hardware:** All stainless steel hardware fasteners.

**Dimensions:** 8' bench inground without back. Seats are 10" wide x 96" long. Seat height is 18". Total depth of bench is 10".

# COMPONENTS

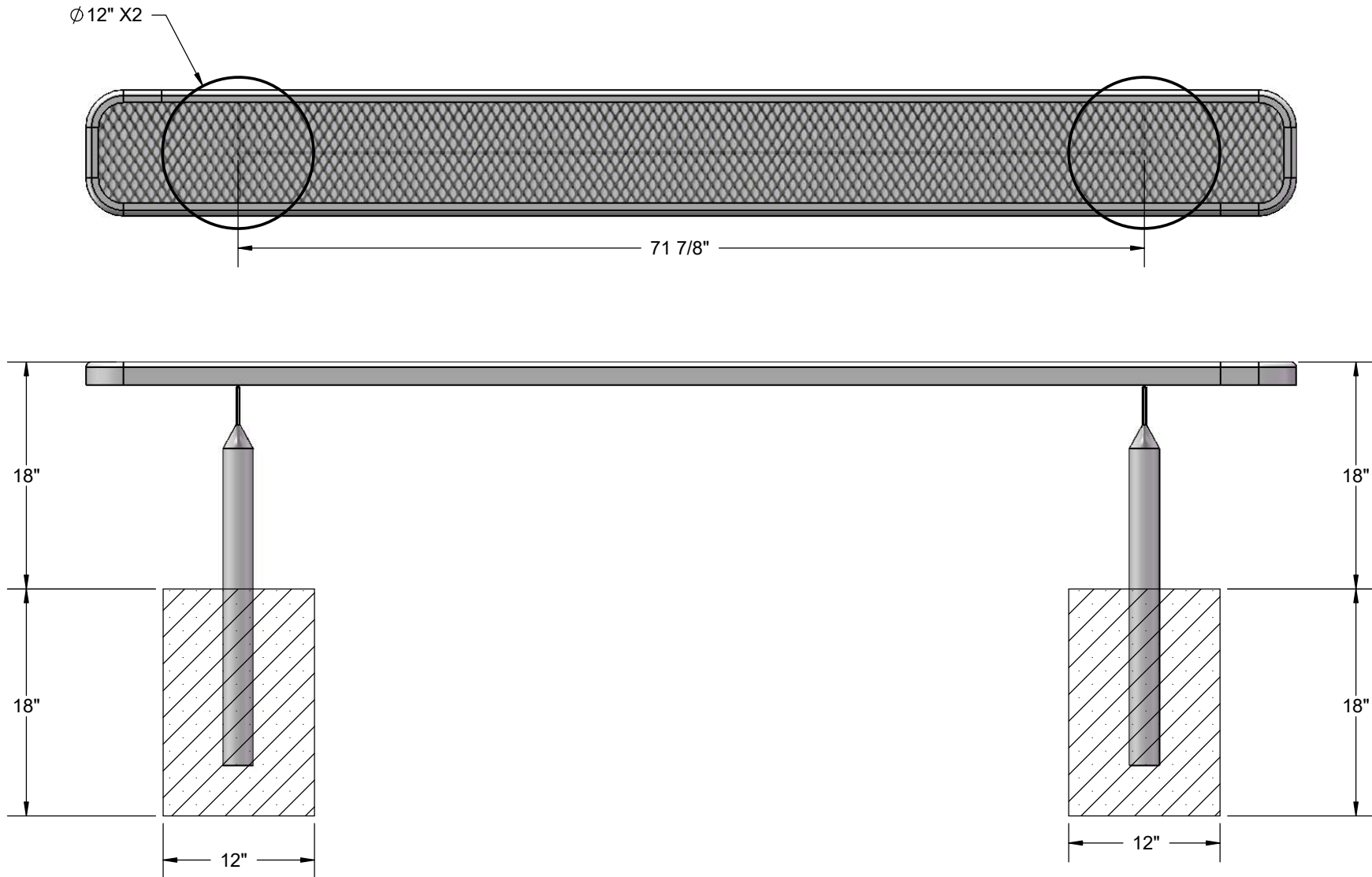
Attach the 8' Seat to the Legs using specified hardware.



ITEM NO.	PartNo	DESCRIPTION	QTY
1	P-V942S	942S VINYL LEG	2
2	T-EV96-S	8' x 10" expanded seat	1
3	33-02-0007	5/16" SS Washer	8
4	33-05-0029	5/16" x 1" Machine Bolt (SS)	4
5	33-03-0012	5/16" Kep Nut (SS)	4

# FOOTINGS

Estimated Required Concrete: 7 - 50 lb. Bags of Concrete



# OVERALL DIMENSIONS

