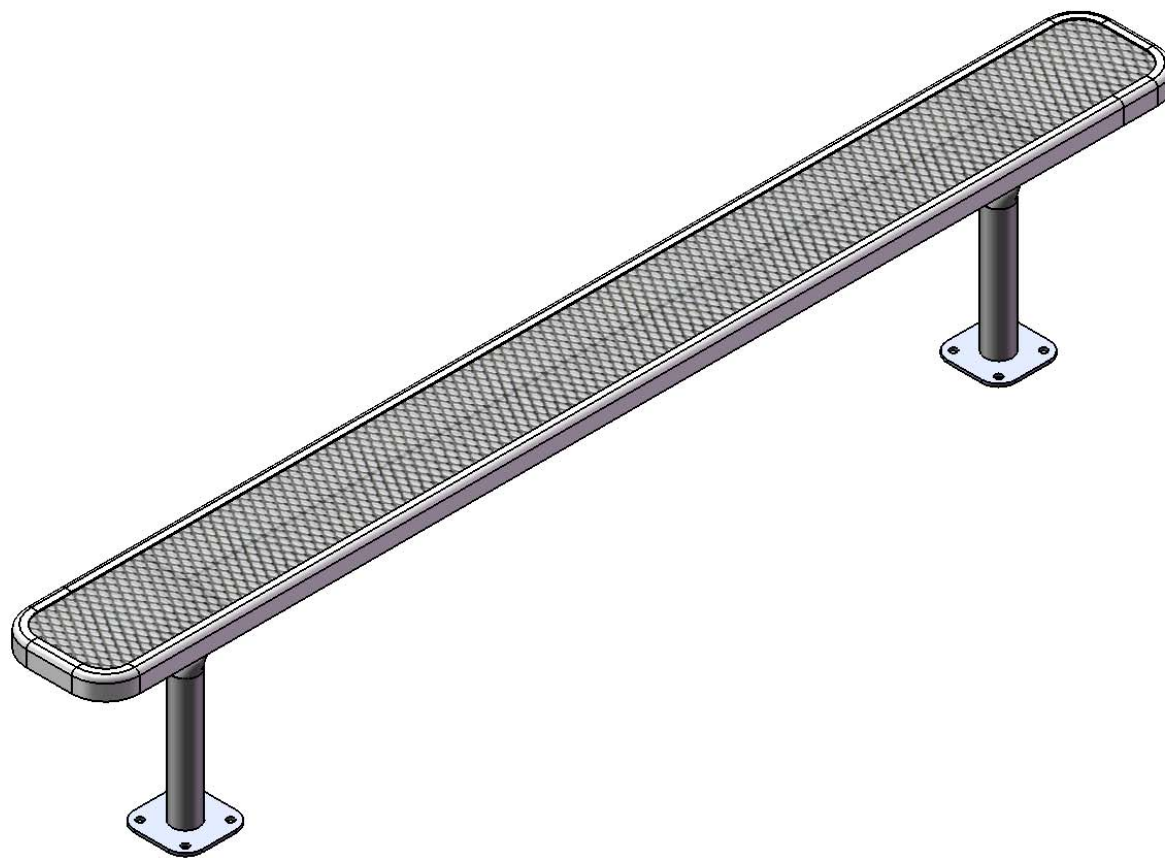


Site Amenities

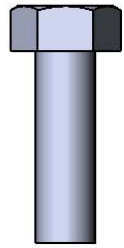
BY SUPERIOR RECREATIONAL PRODUCTS



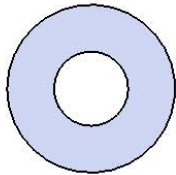
Model # B8ULSM



HARDWARE



5/16" x 1"
Machine Bolt



5/16" Washer



5/16" Kep Nut

PRODUCT SPECIFICATIONS

B8ULSM SURFACE MOUNT BENCH WITHOUT BACK

Seats: 11 gauge die formed angle frame 1"x1-7/8" with 3" radius corners. 3/4" #9 steel expanded metal. 10 gauge x 1-1/2" flat bar center support and mounting bracket understructure. Electrically MIG welded.

Seat Coating: Oven fused functionalized polyethylene copolymer-based thermoplastic. Fluidized bed coating application with superior mechanical performance, impact resistance and UV-stability.

Frame: 2-3/8" O.D. x 12 gauge pre-galvanized structural steel tubing. Seat mounting points 7 gauge x 1-1/2" die stamped steel flat bar. A 6" x 6" steel plate makes up the surface mount footing. The surface mount plate has four holes for stable mounting, and clipped corners for a more finished look. Electrically MIG welded.

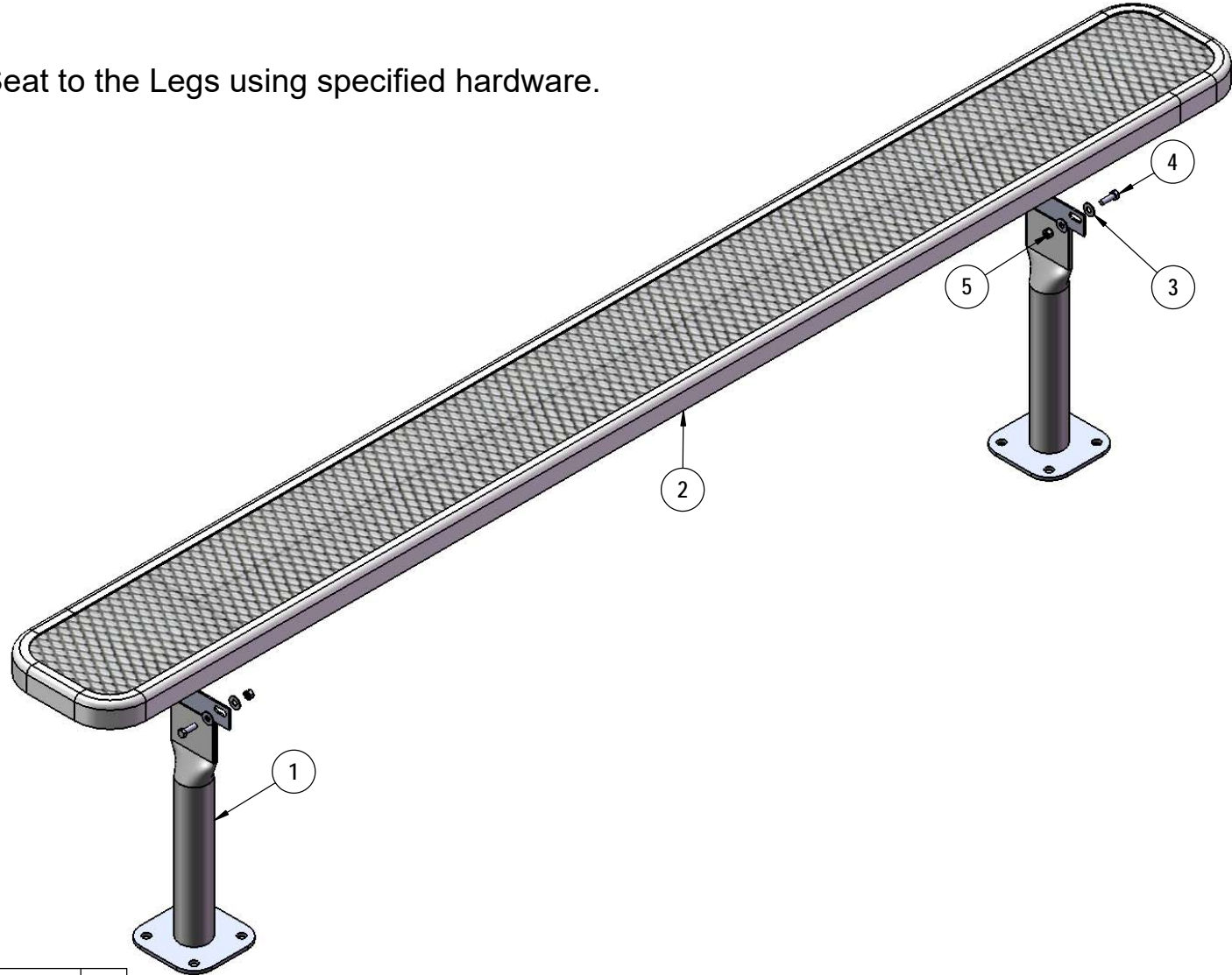
Frame Coating: Electrostatic powder coated application oven cured.

Hardware: All stainless steel hardware fasteners.

Dimensions: 8' bench surface mount without back. Seats are 10" wide x 96" long. Seat height is 18-3/4". Total depth of bench is 10".

COMPONENTS

Attach the 8' Seat to the Legs using specified hardware.



| ITEM NO. | PartNo | DESCRIPTION | QTY |
|----------|------------|------------------------------|-----|
| 1 | P-V942SM | 942SM VINYL LEG | 2 |
| 2 | T-EV96-S | 8' x 10" expanded seat | 1 |
| 3 | 33-02-0007 | 5/16" SS Washer | 8 |
| 4 | 33-05-0029 | 5/16" x 1" Machine Bolt (SS) | 4 |
| 5 | 33-03-0012 | 5/16" Kep Nut (SS) | 4 |

Recommended Surface Mount Hardware:
3/8" x 3-1/2" Concrete Expansion Anchor Bolts
(Not Included)



OVERALL DIMENSIONS

