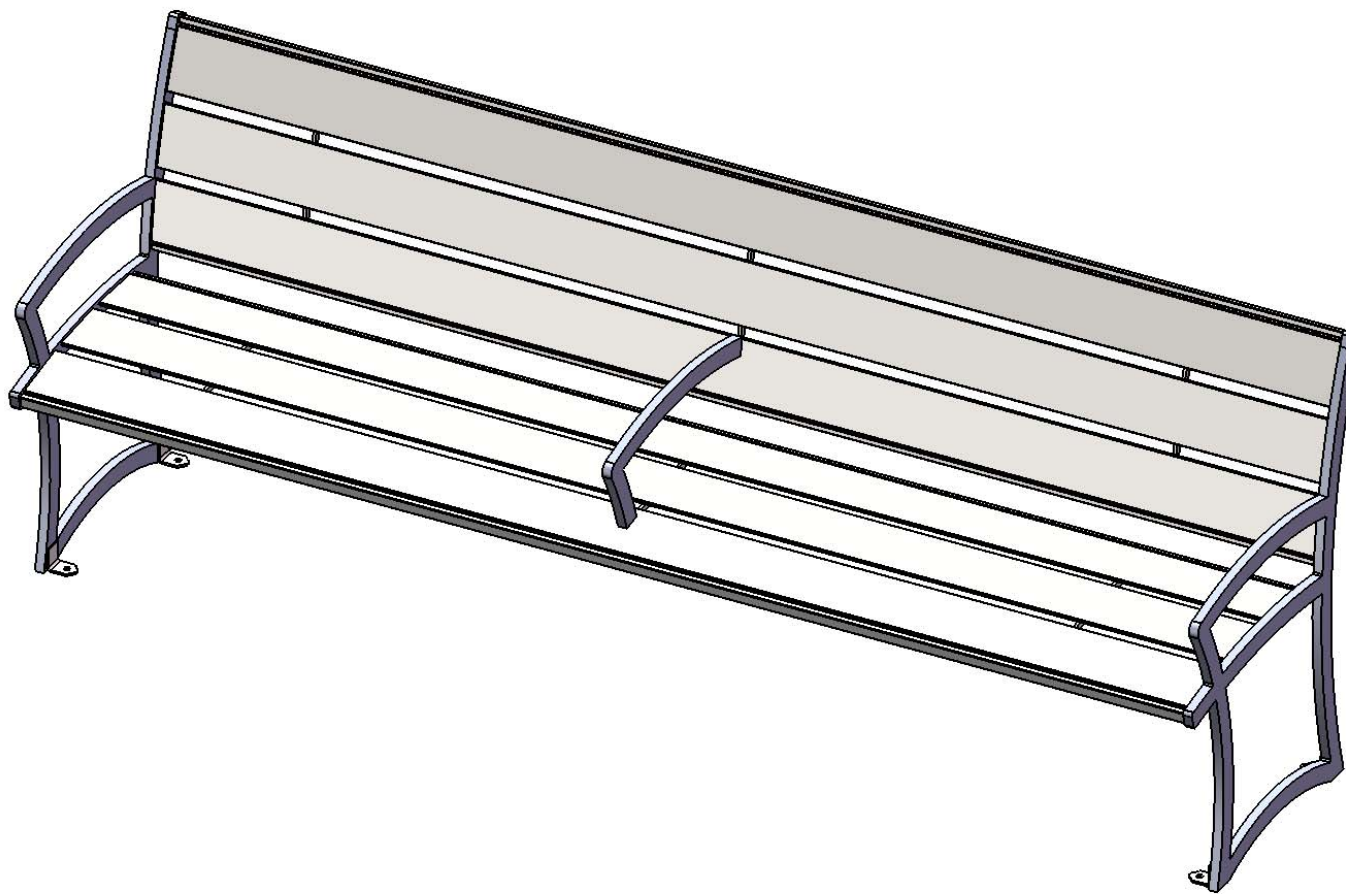


Site Amenities

BY SUPERIOR RECREATIONAL PRODUCTS



Model #
B8WBBY-ST

 **SUPERIOR**[®]
RECREATIONAL PRODUCTS
A **PLAYCORE** Company

PRODUCT SPECIFICATIONS

B8WBBY-ST BRYCE PORTABLE BENCH WITH BACK

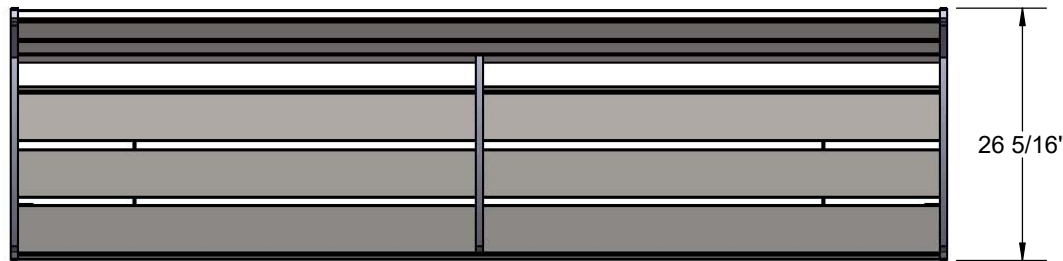
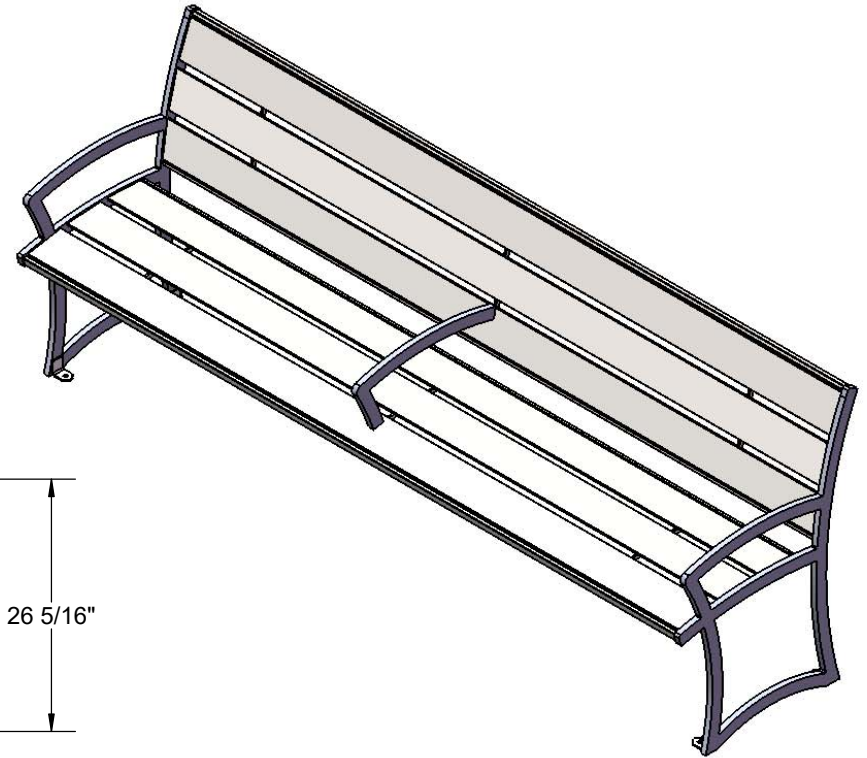
Seats: Seats are fabricated from 1/4" x 5" flat steel strips and 1/2" x 1" solid bar. Reinforced with 1/4" thick support ribs. Legs are 3/4" steel Plate. Mounting plates shall be made from 7 gauge steel. All electrically MIG welded.

Coating: Steel is sandblasted to near white condition. Coated with zinc rich epoxy primer and top coated with electrostatic powder coat, oven cured.

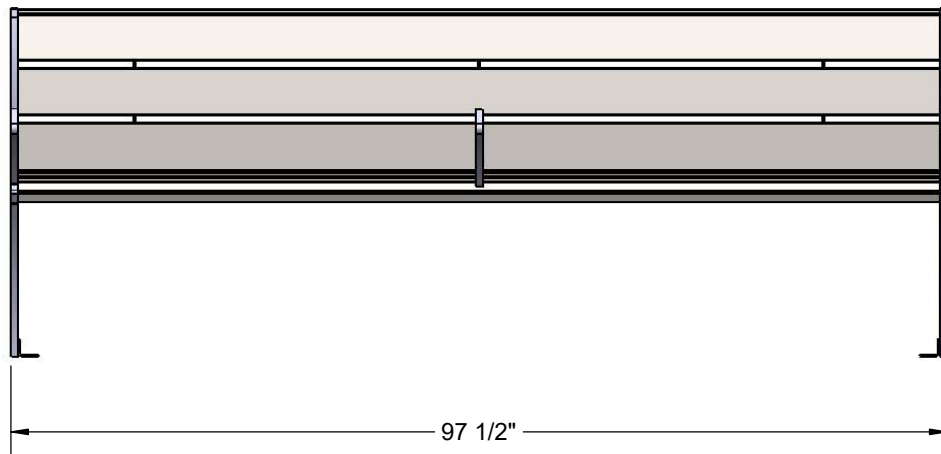
Dimensions: 8' portable bench with back. Seats are 18" wide x 96" long. Seat height is 18-3/4" from the ground to the top of the seat. The overall dimensions are 97-1/2" x 26-5/16" x 36-1/4"

Recommended Surface Mount Hardware: 3/8" x 3-1/2" Concrete Expansion Anchor Bolts (Not Included)

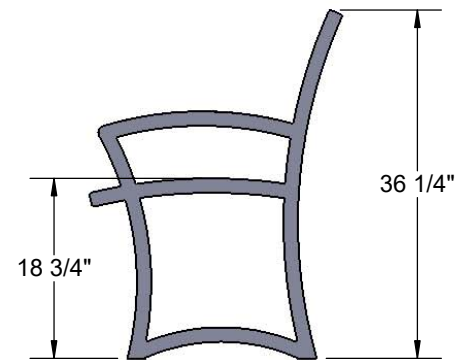
OVERALL DIMENSIONS



26 5/16"



97 1/2"



18 3/4"

36 1/4"