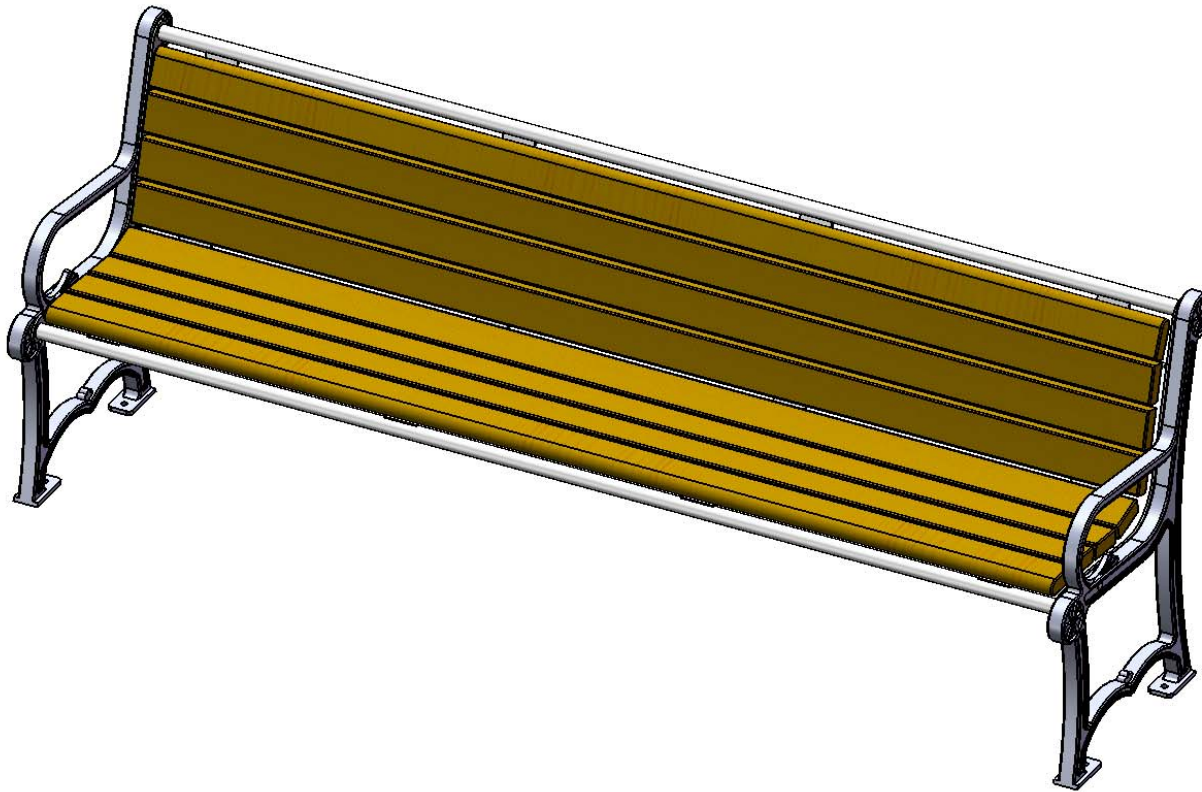


# *Site Amenities*

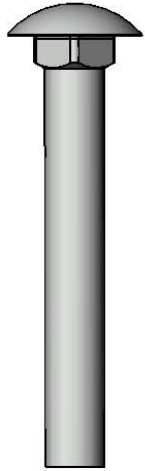
BY SUPERIOR RECREATIONAL PRODUCTS



Model #  
B8WBCC

 **SUPERIOR**<sup>®</sup>  
RECREATIONAL PRODUCTS  
A **PLAYCORE** Company

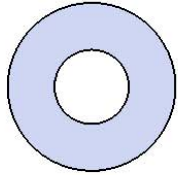
# HARDWARE



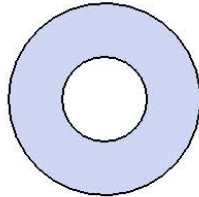
5/16" X 2-1/4"  
Carriage Bolt



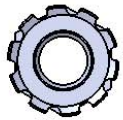
5/16" x 1-1/4"  
Lag Bolt



5/16" Washer

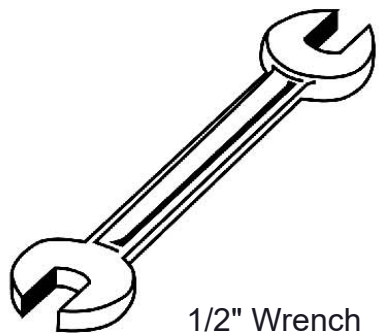


3/8" Washer

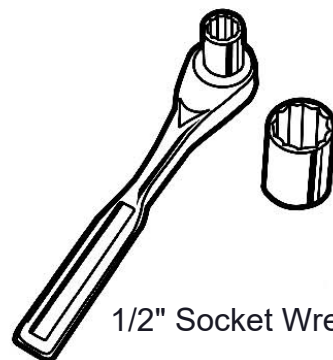


5/16" Washer

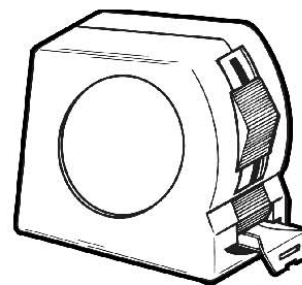
## TOOLS REQUIRED



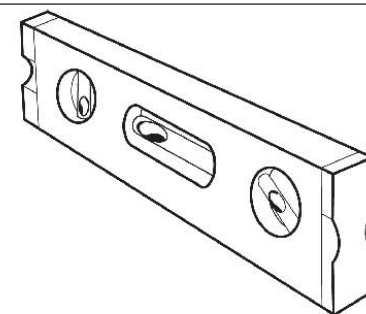
1/2" Wrench



1/2" Socket Wrench



Tape Measure



Level

# PRODUCT SPECIFICATIONS

## **B8WBCC CASCADES BENCH WITH BACK**

Seats: 2x4 planks are made from a minimum of 96% post-consumer or post-industrial recycled plastic. Contains UV stabilizers to prevent fading. Seat support frame is made of 7 ga steel plate. Electrically MIG welded.

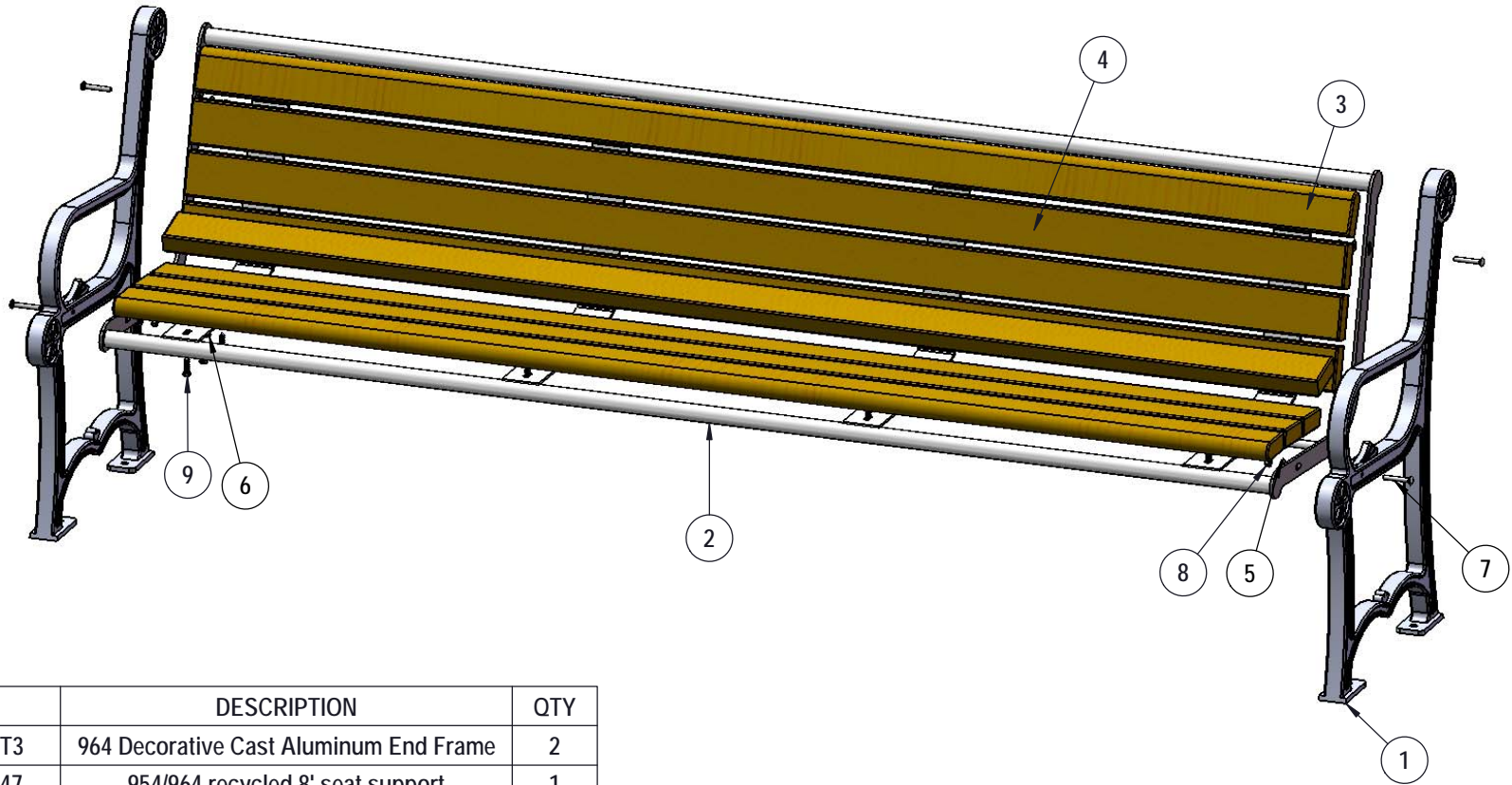
Frame: Legs are cast aluminum.

Frame Coating: Oven fused functionalized polyethylene copolymer-based thermoplastic. Fluidized bed coating application with superior mechanical performance, impact resistance and UV-stability.

Hardware: All fasteners are stainless steel.

Dimensions: 8' portable/surface mount bench with back. Seats are 18" wide x 95" long. Seat height is 19-1/4" from the ground to the top of the seat. The overall dimensions are 99-1/2" x 26-3/4" x 35-3/4".

# COMPONENTS

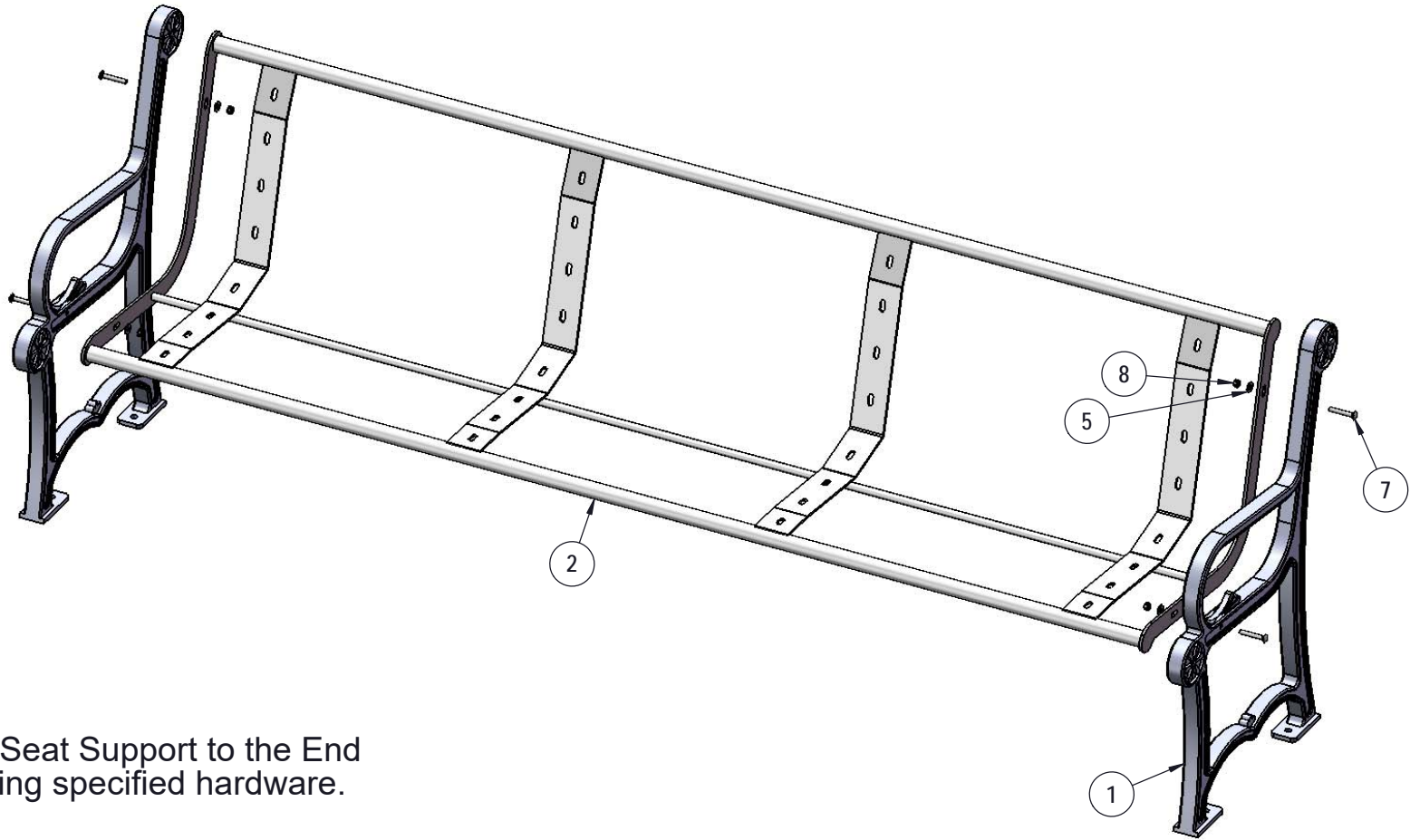


ITEM NO.	PartNo	DESCRIPTION	QTY
1	11-01-CAST3	964 Decorative Cast Aluminum End Frame	2
2	T-01-01-0247	954/964 recycled 8' seat support	1
3	BRN96-2x4B-LB, CDR96-2x4B-LB, GRN96-2x4B-LB, or GRY96-2x4B-LB	2 x 4 Brown Recycled Bench Bullnose Plank-Lag Bolts (8'), 2 X 4 Cedar Recycled Bench Bullnose Plank-Lag Bolts(8'), 2 x 4 Green Recycled Bench Bullnose Plank-Lag Bolts (8'), or 2 x 4 Grey Recycled Bench Bullnose Plank-Lag Bolts (8')	2
4	BRN96-2x4-LB, CDR96-2x4-LB, GRN96-2x4-LB, or GRY96-2x4-LB	2 x 4 Brown Recycled Bench Plank-Lag Bolts (8'), 2 X 4 Cedar Recycled Bench Plank-Lag Bolts (8'), 2 x 4 Green Recycled Bench Plank-Lag Bolts (8'), or 2 x 4 Grey Recycled Bench Plank-Lag Bolts (8')	6
5	33-02-0007	5/16" SS Washer	4
6	33-02-0008	3/8" Flat Washer (SS)	33
7	33-06-0053	5/16" x 2-1/4" Carriage Bolt (SS)	4
8	33-03-0012	5/16" Kep Nut (SS)	4
9	33-05-0034	5/16" x 1-1/4" lag bolt, SS	32

Optional Surface Mount Hardware:  
3/8" x 3-1/2" Concrete Expansion Anchor Bolts  
(Not Included)



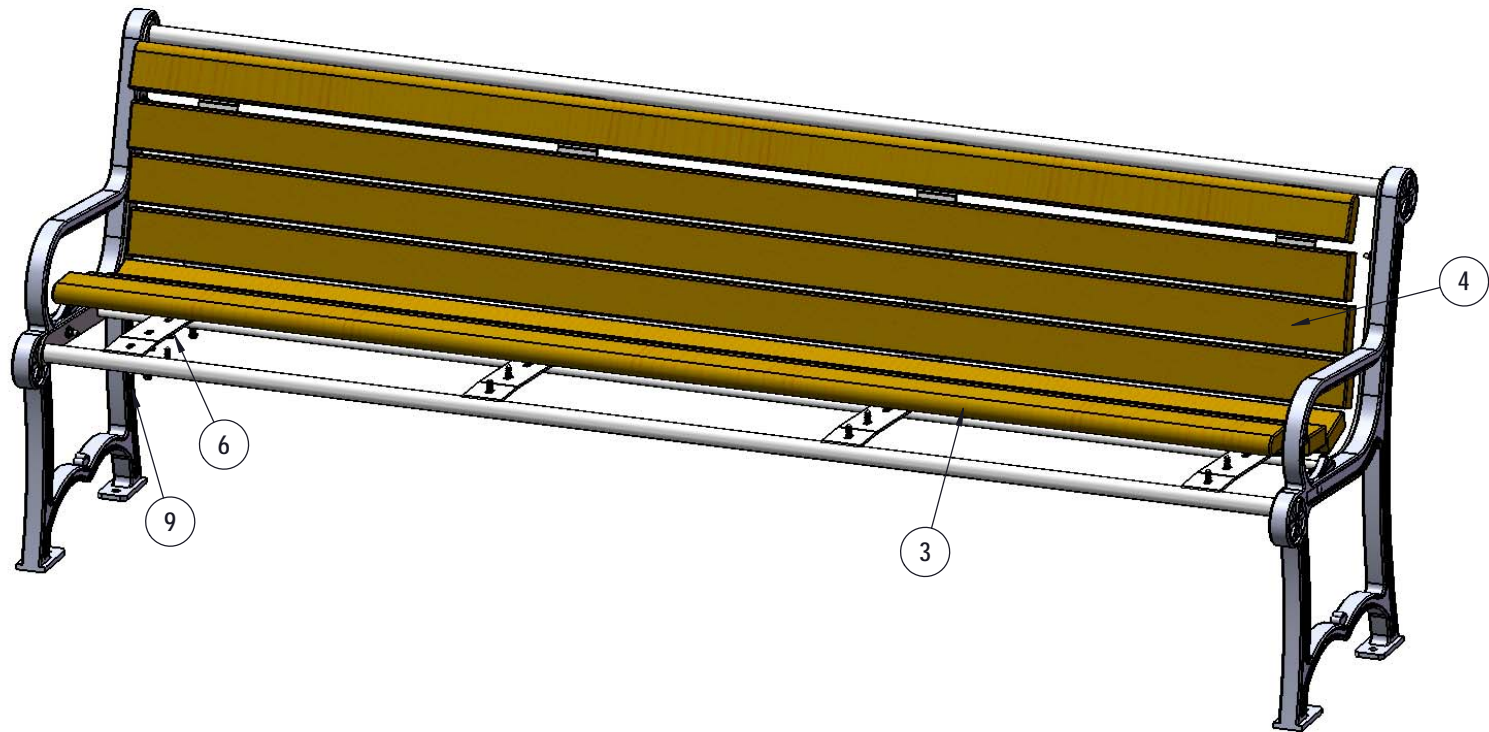
# STEP 1



Attach the Seat Support to the End Frames using specified hardware.



## STEP 2



Attach the 8' Recycled Bench Planks to the Seat Support, placing the 2 Bullnose Planks on the outside, as shown using specified hardware.

Warning: Over tightening of the Lag Bolts may result in cracking and/or stripping out of the Planks.

# OVERALL DIMENSIONS

