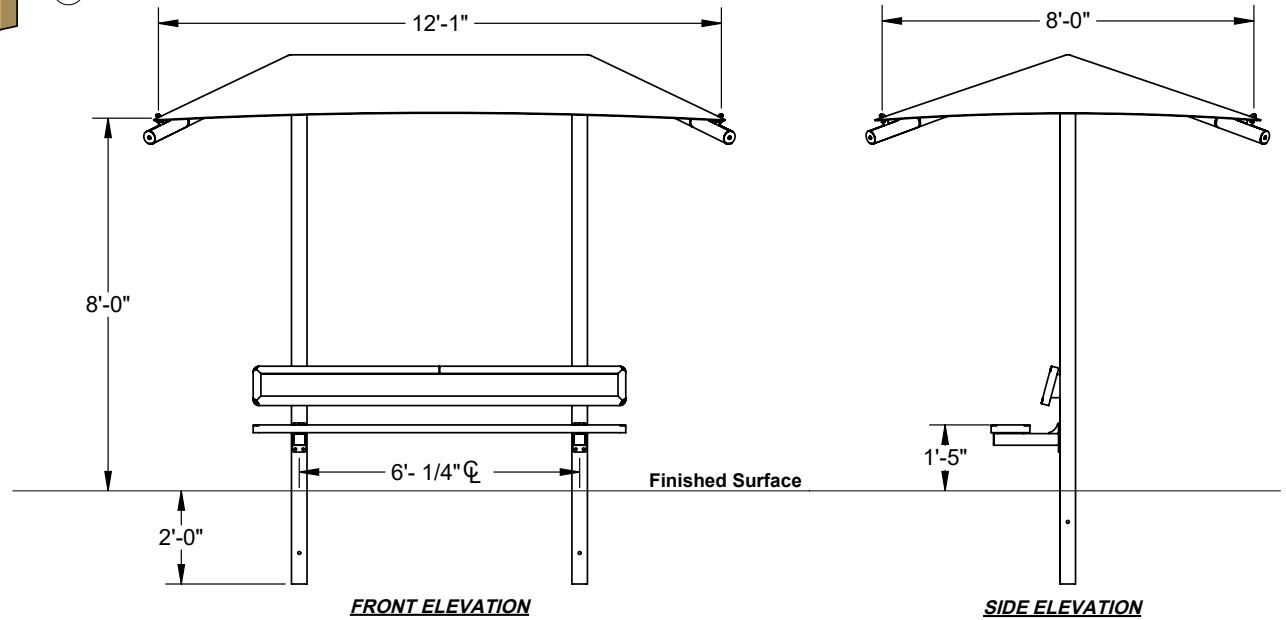
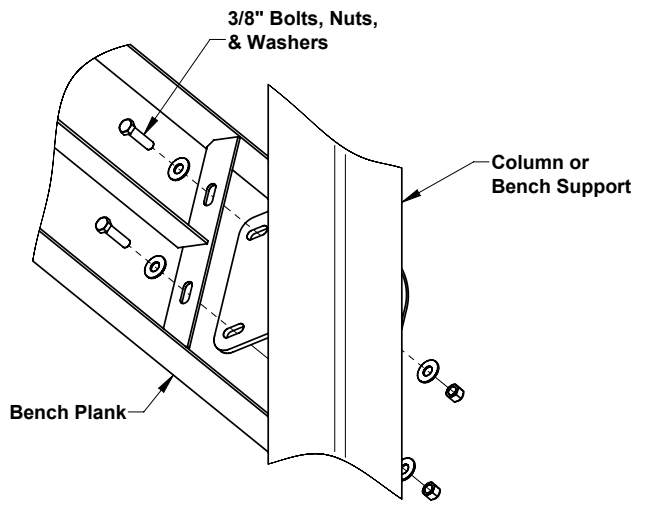


ITEM NO.	PART NUMBER	DESCRIPTION	QTY.
1	PSA-7056XX	Column - Right - 4" x 4" x 135 1/8" w/ Holes, Sockets, & Bracket	1
2	PSA-7057XX	Column - Left - 4" x 4" x 135 1/8" w/ Holes, Sockets, & Bracket	1
3	FAB-RI-3511-064_50XX	Ridge - Swaged Both Ends Ø3 1/2" 11-Gauge x 64 1/2" (Coated)	1
4	FAB-RA-3511-047_50XX	Rafter - Swaged Ø3 1/2" 11-Gauge x 47 1/2" (Coated)	4
5	MTA25592XX	Extension - 3 1/2" OD Rafter Glide Mechanism	4
6	AFB-36845XX	Bench Support - 3" x 3" x 17 1/8" w/ Flange & Bracket	2
7	RC96-S	Seat - 96" RC	2
8	FBRU1208	Fabric - 12' x 8' Rectangle Umbrella, with Glide	1

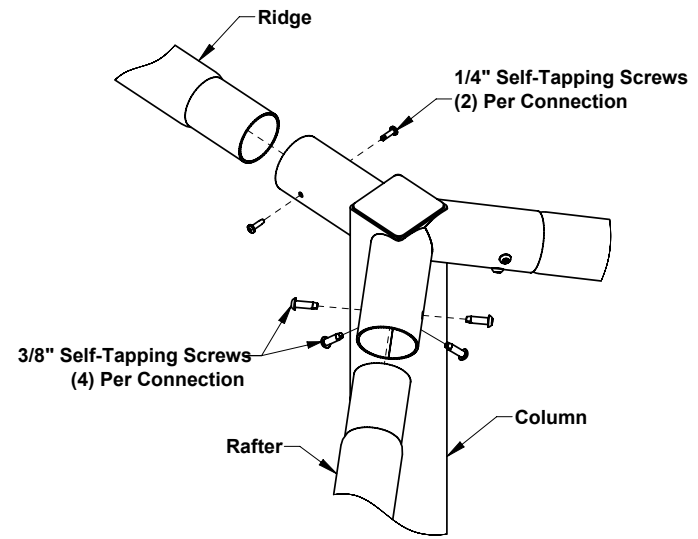


BRU120808IG

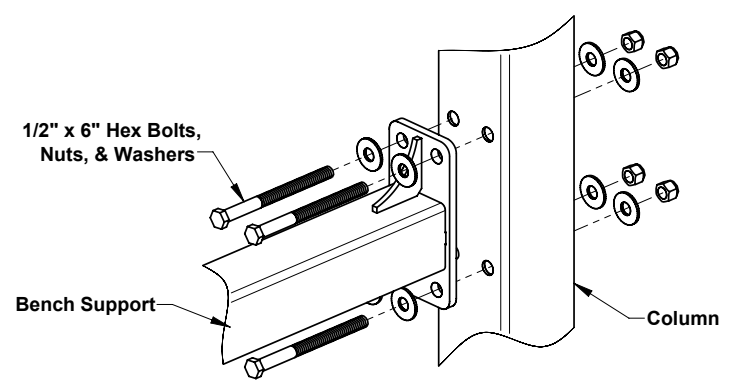
SUPERIOR SHADE	DESCRIPTION: Shade - Rectangle Umbrella - 12' x 8' x 8', Embedded, with Glides & Bench		
	SCALE: Varies	SHADE STYLE: Mech.	SHEET: 1 of 3
150 ADAMSON INDUSTRIAL BOULEVARD CARROLLTON, GA 30117 1-888-829-8997	DATE:	UNITS: INCHES / FEET	PROPOSAL NO:



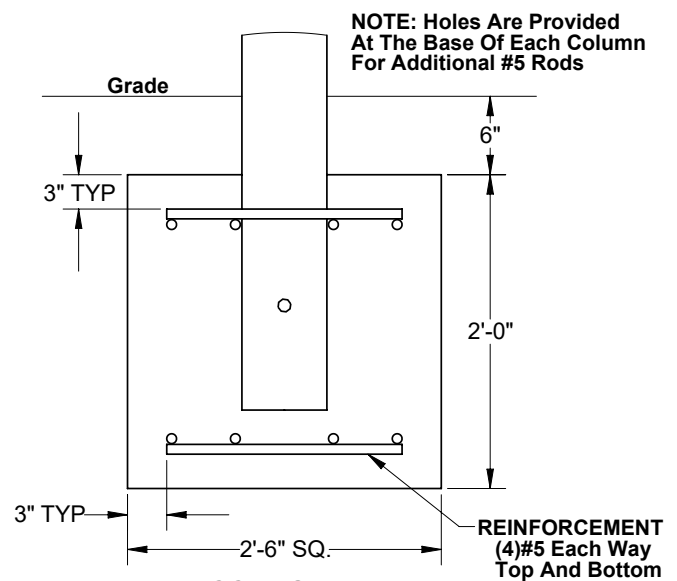
BENCH CONNECTION



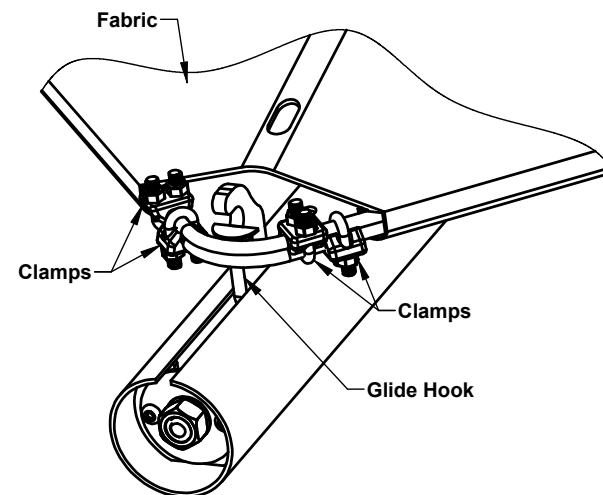
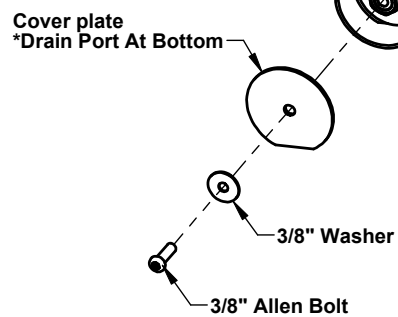
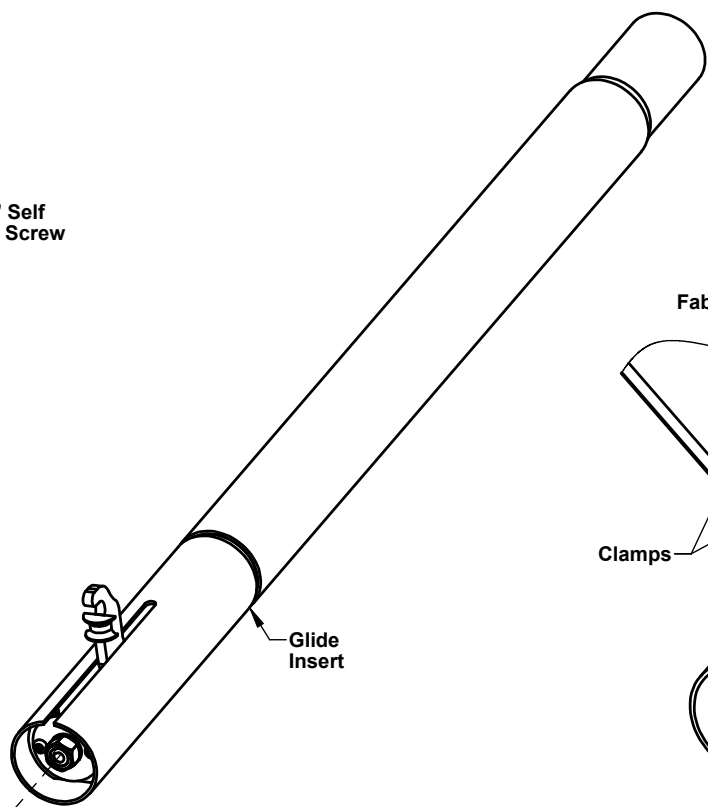
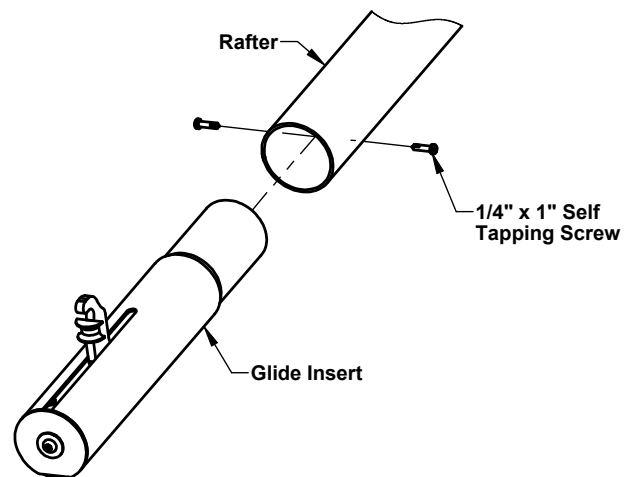
COLUMN-RIDGE-RAFTER CONNECTION



BENCH SUPPORT CONNECTION



FOOTING DETAIL



NOTE: On three Of The Four Corners The Cable Will Loop Over Glide Hook Followed By Fabric.

On The Fourth Corner The Cable Ends Will Overlap Under Hook And Secured With TWO Cable Clamps On Both Sides Of Hook. Loose Ends Are Then Tucked Back Into Fabric Hems.