



**SRP**FX

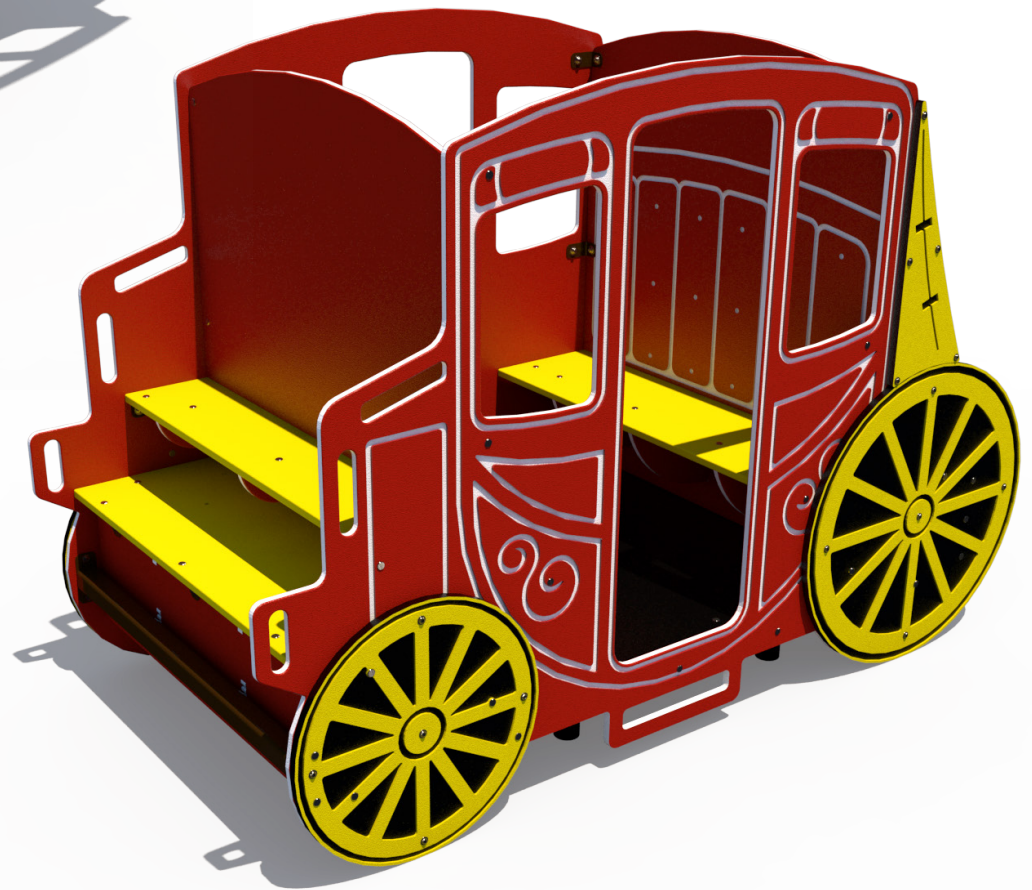
2-12

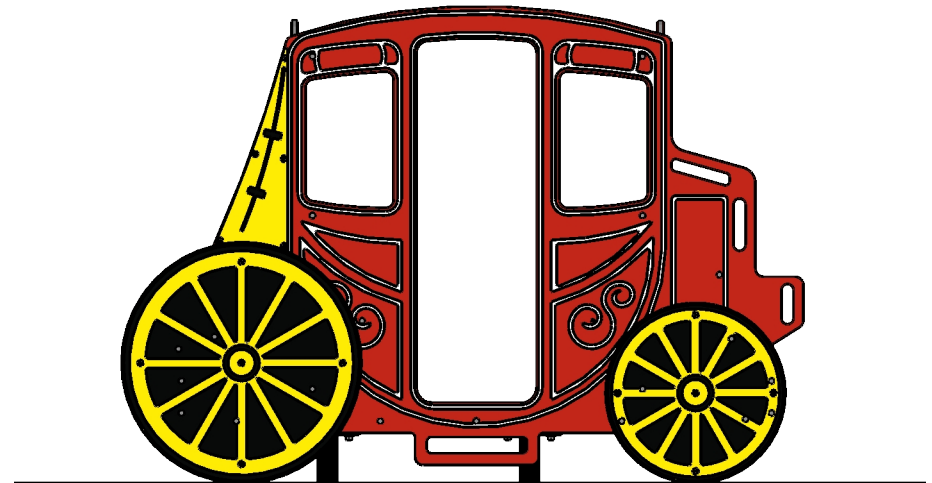
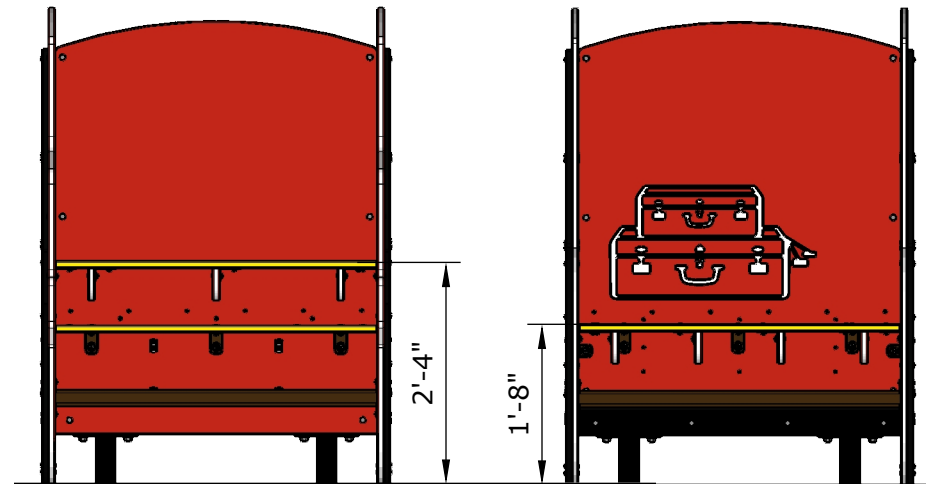
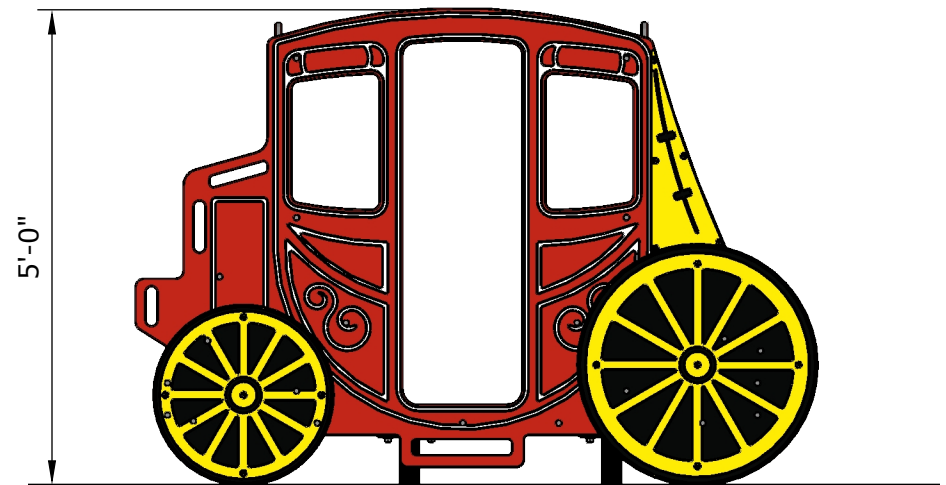
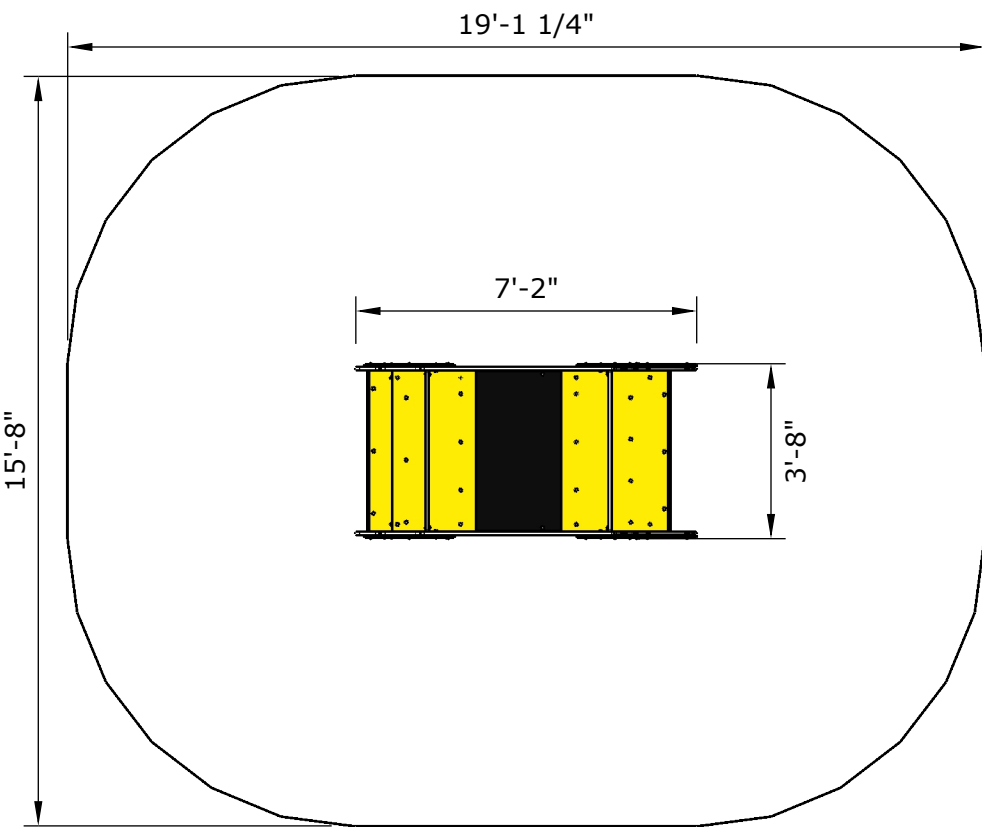
Age Group

**Activity: EFR0123XX**  
Theme: Stage Coach Playhouse

**Preliminary Concept Design**  
Designer: N.Guice      Date: 06/02/20

*Conceptual Renderings Only. Subject to change without notice at SRP's Discretion*





Ages	Capacity	Use Zone	Fall Height	Actual Size	Timber Count
2-12	8	20'x16'	28"	8'x4'	15

SRP **FX**

 **SUPERIOR**  
RECREATIONAL PRODUCTS

A **PLAYCORE** Company

[superiorecreation.com](http://superiorecreation.com) • [sales@siibrands.com](mailto:sales@siibrands.com) • 800.327.8774