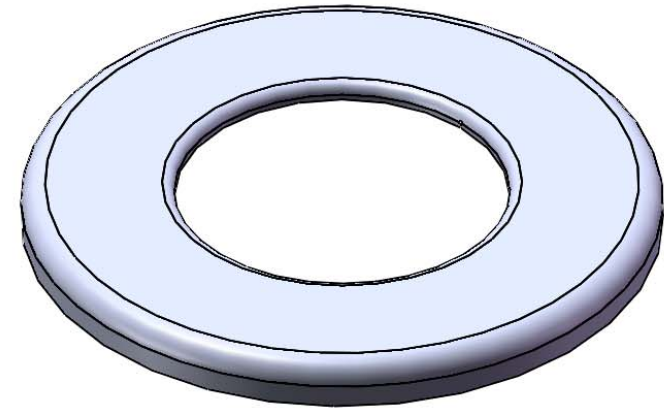
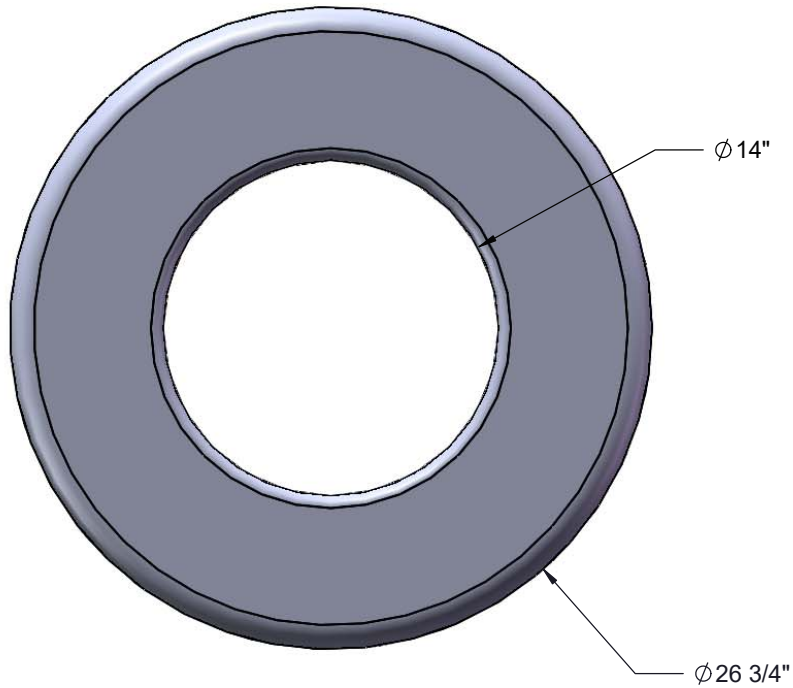


Site Amenities

BY SUPERIOR RECREATIONAL PRODUCTS

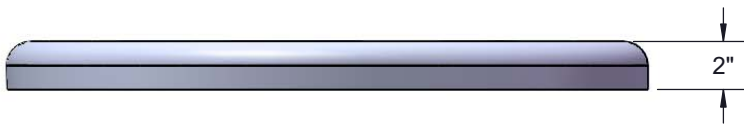


MODEL #: FLATTOP55-14-HW
55 GALLON FLAT TOP

MATERIAL: FLAT TOP SHALL BE FABRICATED FROM 18 GAUGES STEEL FLAT, SPUN TO FORM. OUTSIDE EDGE SHALL HAVE A 1" RADIUS.

COATING: OVEN FUSED FUNCTIONALIZED POLYETHYLENE COPOLYMER-BASED THERMOPLASTIC. FLUIDIZED BED COATING APPLICATION WITH SUPERIOR MECHANICAL PERFORMANCE, IMPACT RESISTANCE AND UV-STABILITY.

TOP DIMENSIONS: CENTER OPENING SHALL BE 14" INSIDE DIAMETER. THE OVERALL DIMENSIONS SHALL BE 26 3/4" DIAMETER X 2" HIGH.



 **SUPERIOR**[®]
RECREATIONAL PRODUCTS
A **PLAYCORE** Company