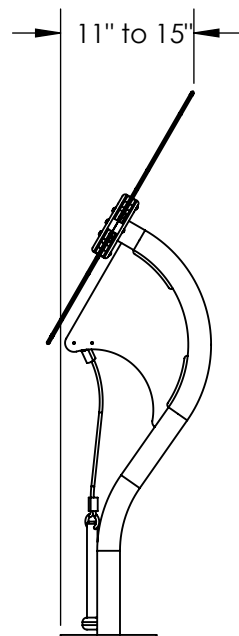
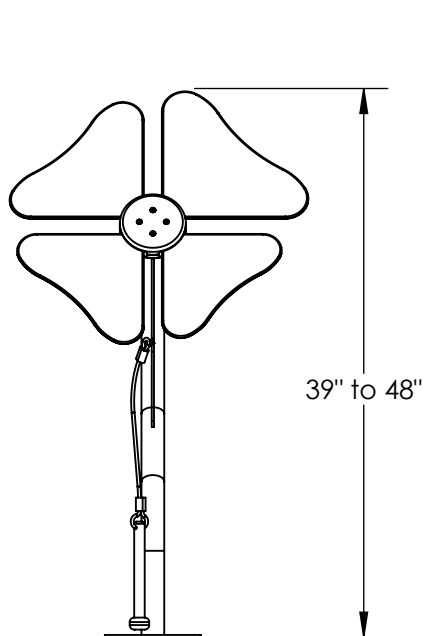
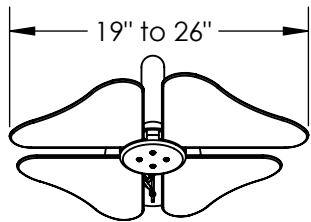


FLOWERS INSTALLATION GUIDE

FREENOTES HARMONY PARK
 194 BODO DRIVE, UNIT F
 DURANGO CO 81303
 TEL: (970) 375-7825
 FAX: (970) 247-0856
 WWW.FREENOTESHARMONYPARK.COM

PROPRIETARY AND CONFIDENTIAL
 THE INFORMATION CONTAINED IN THIS
 DRAWING IS THE SOLE PROPERTY OF
 FREENOTES HARMONY PARK. ANY
 REPRODUCTION IN PART OR AS A
 WHOLE WITHOUT THE WRITTEN
 PERMISSION OF FREENOTES HARMONY
 PARK IS PROHIBITED.



Main Features:

- Powder Coated Steel Frame
- Anodized Aluminum Flower Petals
- Stainless Steel Hardware

Contents:

- SHEET 2 - Parts List and Petal to Post Installation
- SHEET 3 - In Ground and Surface Mount Installation

Weights:

- Instrument Weight, 11-19lbs.
- Boxed Instrument Weight, 22-30lbs.

TITLE:
Flowers - Installation Guide

DWG. NO. FWR-INSTALL

REVISION: A

SCALE: 1:16

DATE: 2/9/2018

SHEET 1 OF 3

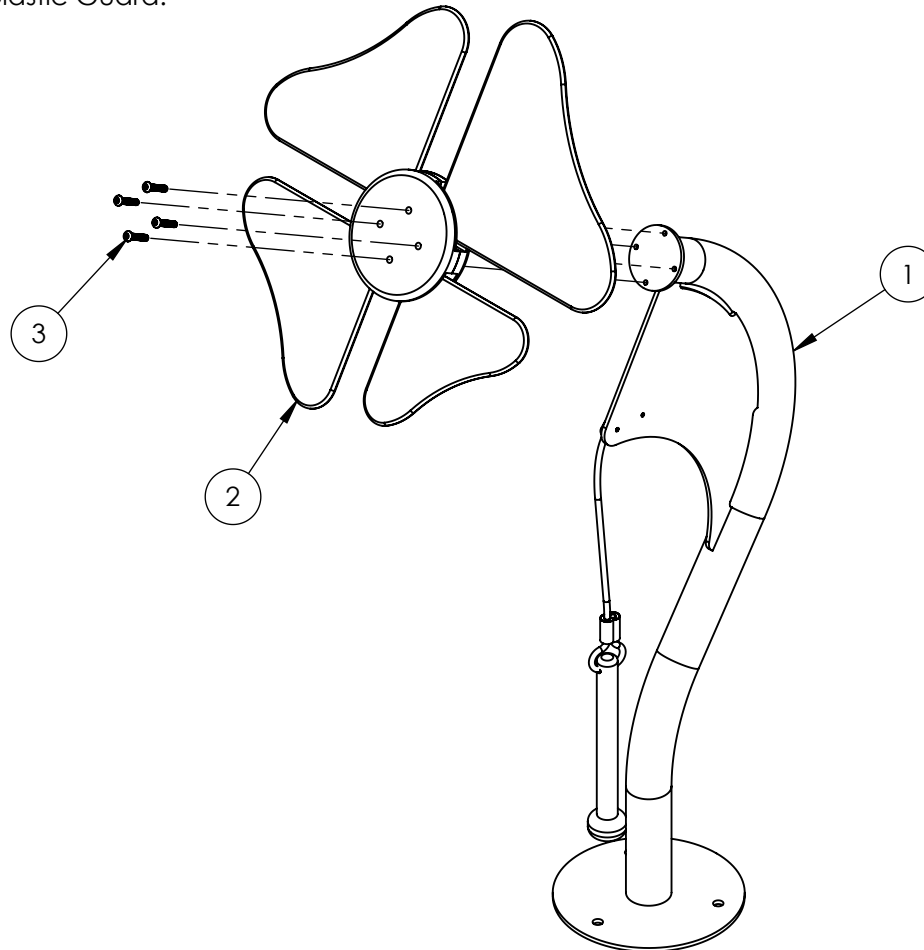
Parts List:

ITEM NO.	PART DESCRIPTION	QTY.
1	Steel Post	1
2	Aluminum Petal Plate W/ Guards	1
3	1/4"-20 Button Head Screw, 1.25"lg. SS,T27 tamp	4
4	Security Driver	1
5	3/8"-16 Wedge Expansion Anchor, SS	3
6	35/64" Hex Nut Cap	3

Step 1: Mount the Aluminum Petal with pre attached Guards to the Steel Post with the provided 1/4"-20 Button Head Screws and Security Driver.

Step 2: When mounting the Petal, make sure that is is mounted with the smallest petal sections at the bottom. Be sure to keep the side of the Flower Petal with the solid Guard to the outside.

Step 3: Drive the screws through the Petal into the Post slowly to prevent stripping. Tighten them down until the head of the screw just starts to sink into the plastic Guard.



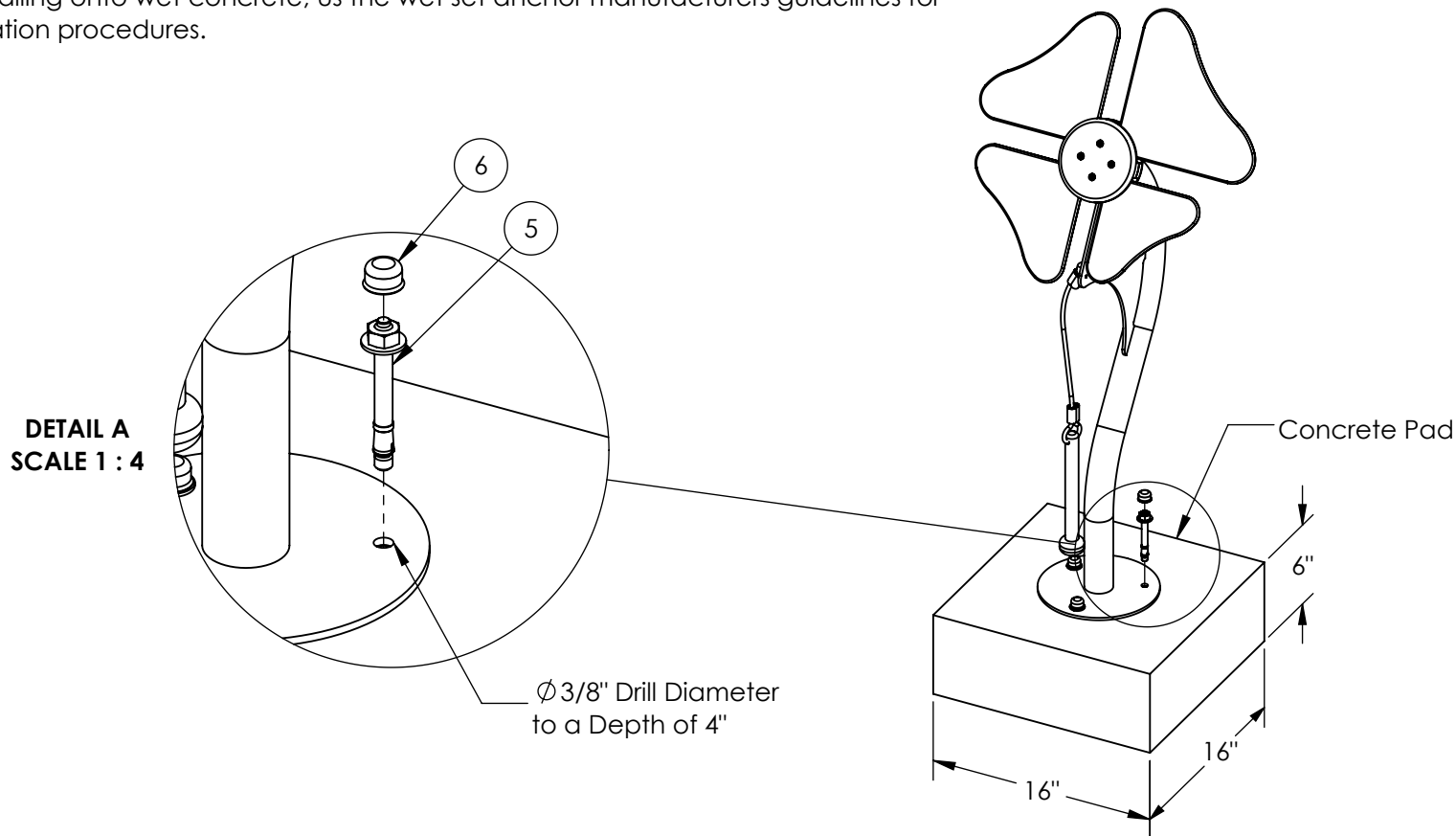
Step 1: Determine installation location. Verify concrete footing is a minimum of 16" long x 16" wide x 6" thick. If the concrete pad is at an angle, steel washers are required to act as shims (Shims not provided). If there is not already an existing pad, approximately (2) 80lb. bags will be needed. Allow concrete to cure per concrete manufacturers guidelines.
 (If a In-Ground appearance is desired recess the concrete pad 4" below finished grade)
 If installing more than one Flower together, distance between Flowers must be less than 3" or greater than 9" apart.
WARNING: Between 3" and 9" there lies a chance for a child's head to become stuck. Reference: US Consumer Product Safety Commission

Step 2: With two people place the Instrument Assembly onto the concrete pad and mark the center of the holes on the surface mount plate. After you have made your marks, set aside the Instrument in order to drill for anchor holes. With a hammer or rotary drill, drill through concrete at marked locations. Drill to a minimum depth of 4". A 3/8" masonry drill bit will be needed.

Step 3: Place the Instrument back over the drilled out holes. Insert provided anchor bolts into aligned holes. Position anchor nut so that it is flush with the top of the bolt. Pound anchor bolts into the hole until the anchor washer is flush with the steel base. Tighten anchor bolts until they are snug. Cover remaining bolt sections with provided nut caps.

Step 4: Verify the correct placement, levelness, and finished height of the instrument. Also check for sufficient clearance around the instrument. A 36" perimeter around the instrument is recommended for wheelchair accessibility.

Step 5: If installing onto wet concrete, us the wet set anchor manufacturers guidelines for installation procedures.



TITLE:
 In Ground and Surface Mount Installation

DWG. NO. FWR-INSTALL

REVISION: A

SCALE: 1:12

DATE: 2/9/2018

SHEET 3 OF 3