



**Structure:
FX3-FRM212-001-00**

Theme: Barn

Preliminary Concept Design

Conceptual Renderings Only. Subject to change without notice at SRP's Discretion



Transfer



Steel



Age Group

Designer: N.Guice

Date: 06/15/2023



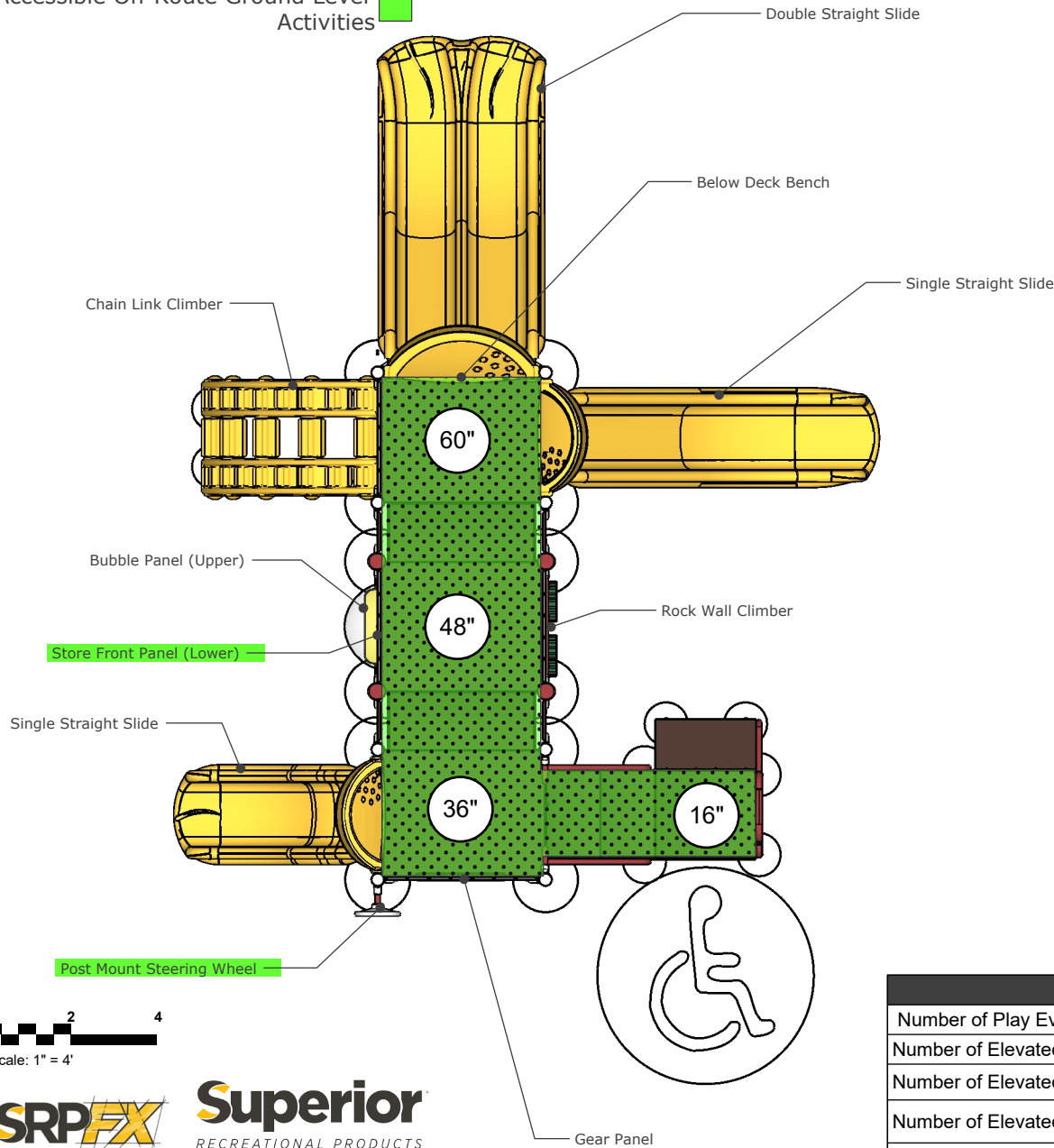
Structure: FX3-FRM212-001-00
Age: 2-12 / Series: 3.5" Steel / Theme: Barn

Preliminary Concept Design

Conceptual Renderings Only. Subject to change without notice at SRP's Discretion



- Accessible On-Route Elevated Path
- Non-Accessible Elevated Path
- Accessible On-Route Ground Level Activities



Minimal Fall Zone Surfaced with Resilient Material

Use Zone Area: 717 SqFt
Use Zone Perimeter: 104' Ft
Use Zone Dimensions: 33'x29'

Structure Size: 17'x21'
Structure Overall Height: 15'

Structure is Designed for Children Ages: 2-12

Post Diameter: 3.5" Steel

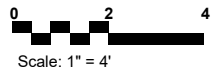
User Capacity: 33

Fall Height: 5'

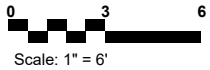
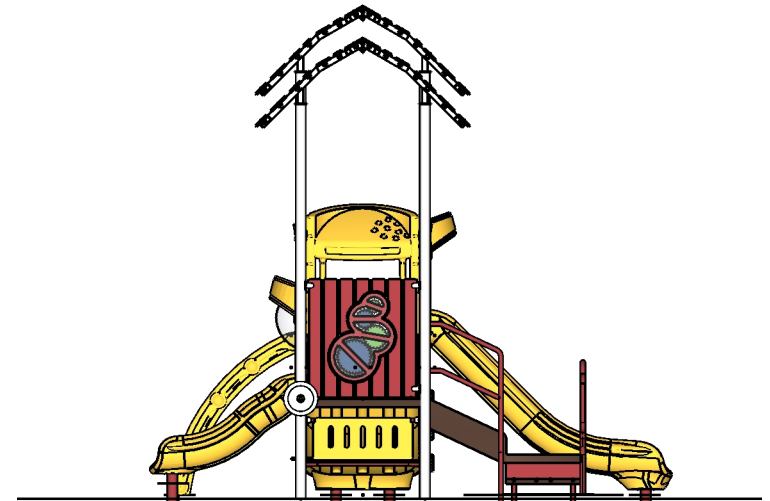
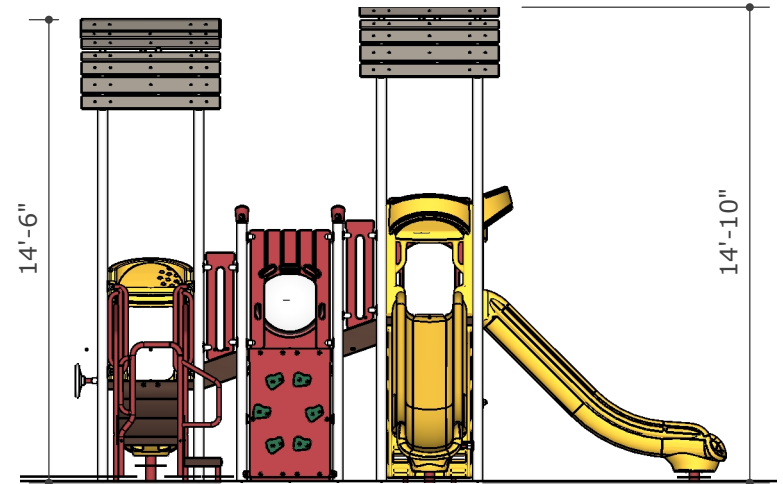
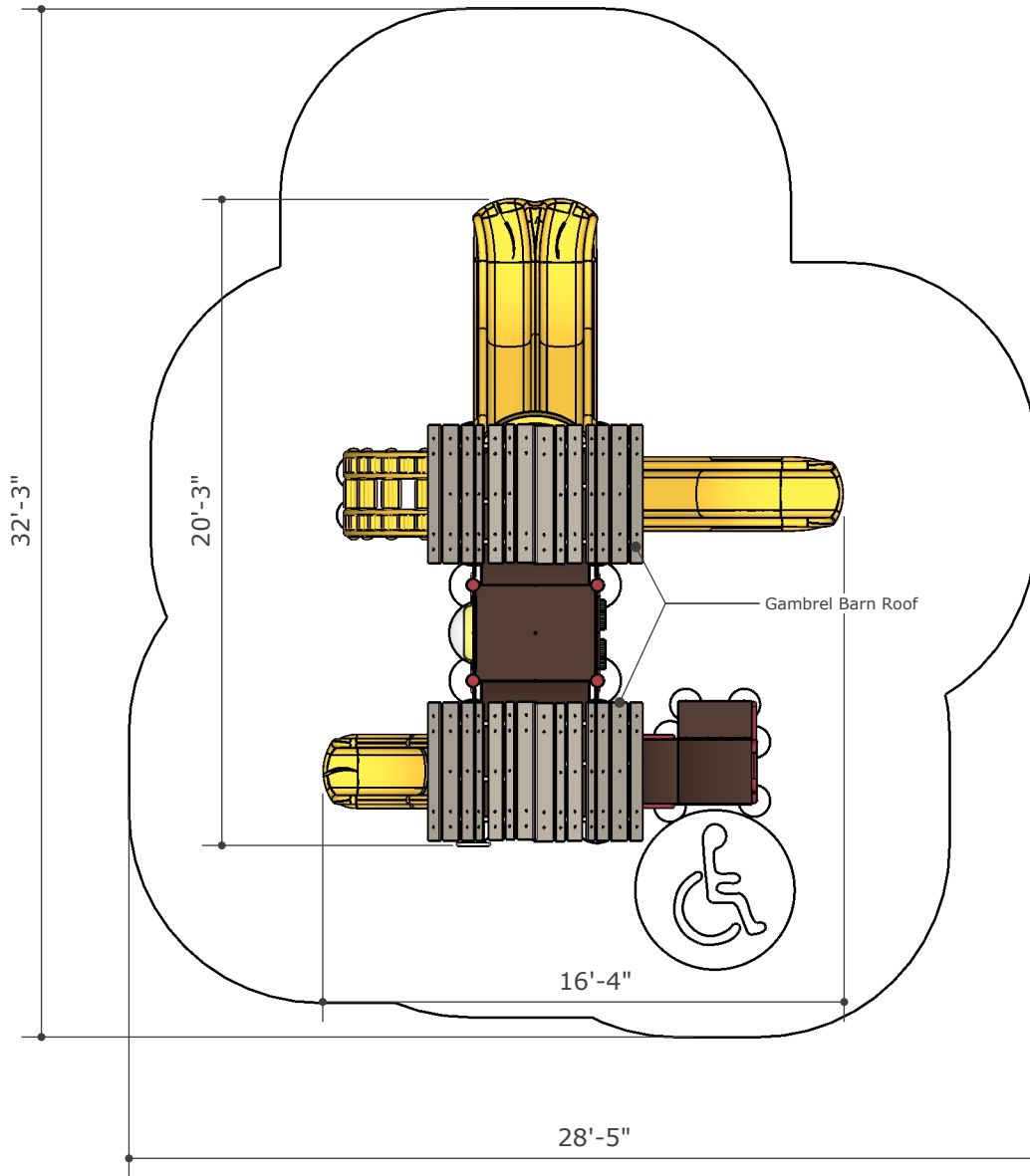
48" Timber Count: 26

Designer: N Guice

Revised By:



ADA Accessibility		
Number of Play Events	10	
Number of Elevated Play Events	7	
Number of Elevated Play Events Accessible By Ramp	0	Required 0
Number of Elevated Play Events Accessible by Transfer System	Provided 7	Required 4
Number of Ground Level Play Events on Accessible Route	Provided 2	Required 2
Number of Types of Ground Level Play Events on Accessible Route	Provided 2	Required 2



Partner

Superior[®]
RECREATIONAL PRODUCTS
A PLAYCORE Company

<https://srpplayground.com/>



srpplayground.com
866-795-7545