

**Structure:
FX3-TRN212-001-00**

Theme: Train

Preliminary Concept Design

Conceptual Renderings Only. Subject to change without notice at SRP's Discretion



Transfer



Steel

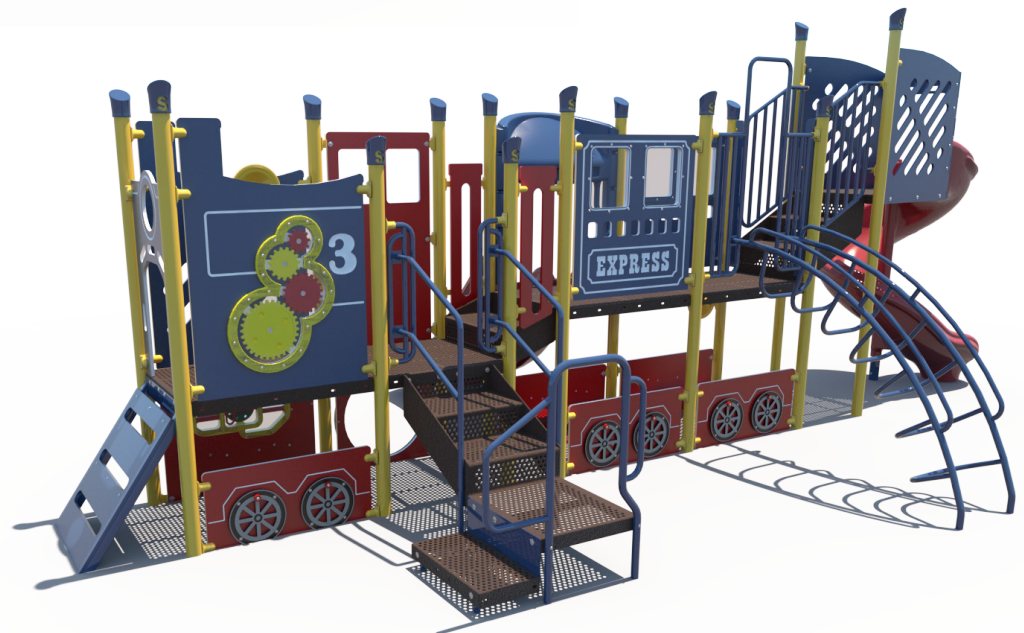


Age Group



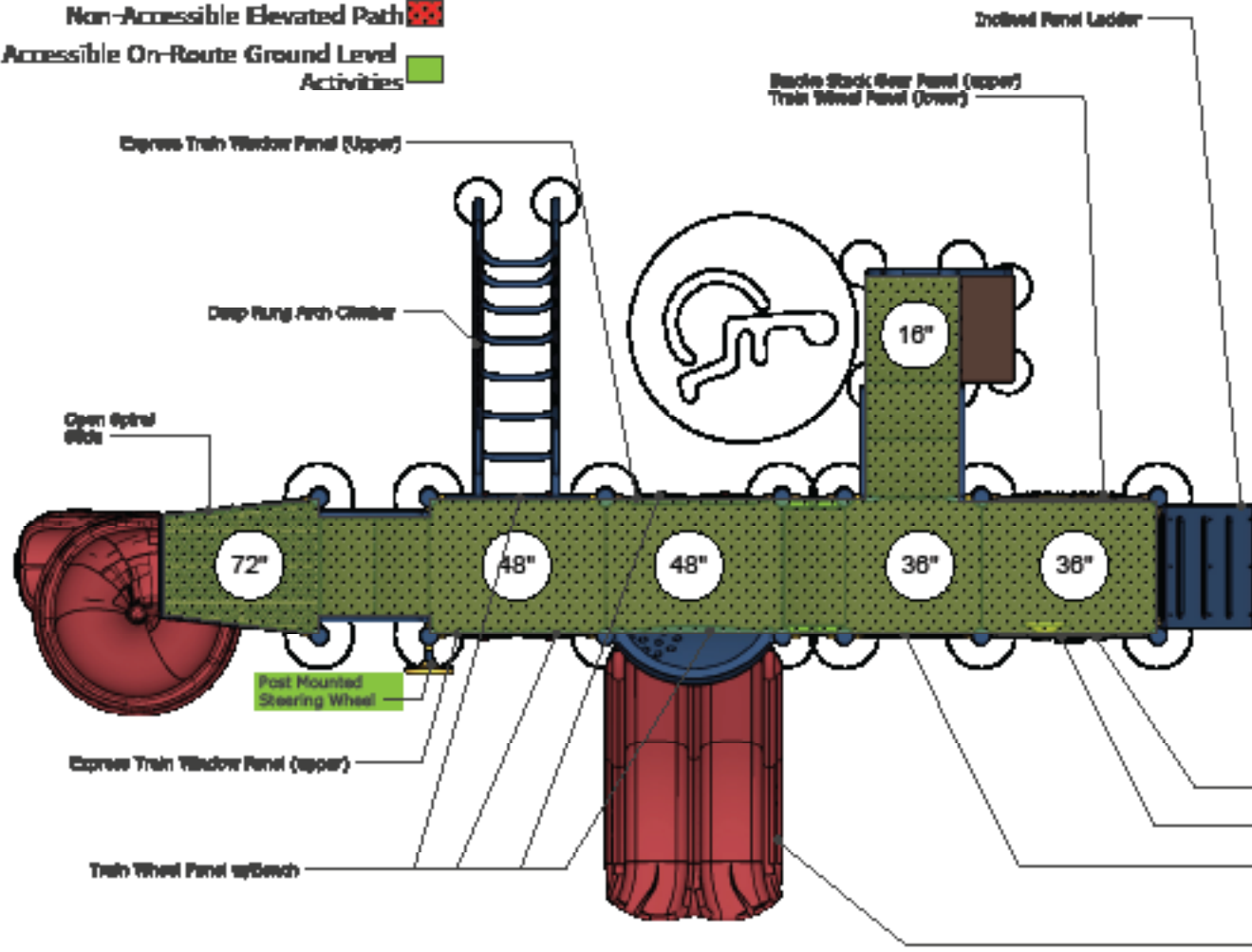
Designer: N.Guice

Date: 6/13/2023





- Accessible On-Route Elevated Path ■
- Non-Accessible Elevated Path ■
- Accessible On-Route Ground Level ■
- Activities ■



Minimal Fall Zone Surfaced with Resilient Material

Use Zone Area: 785 SqFt
 Use Zone Perimeter: 118' Ft
 Use Zone Dimensions: 40'x28'

Structure Size: 28'x18'
 Structure Overall Height: 11'

Structure is Designed for Children
 Ages: 2-12

Post Diameter: 3.5" Steel

User Capacity: 41

Fall Height: 8'

48" Timber Count: 29

Designer: N Guice

Revised By:

Buckle Block Panel w/Wheel (upper)

Train Wheel / Yoke Motion Panel (lower)

Train Cab Window Panel (upper)
 Train Wheel Control Tire Panel (lower)

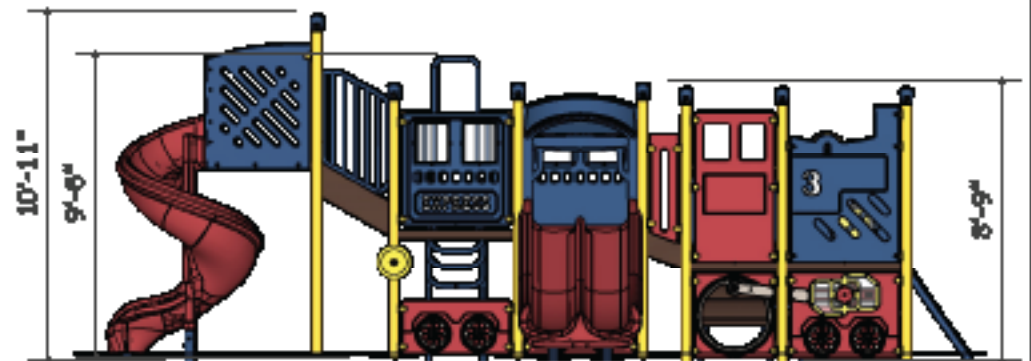
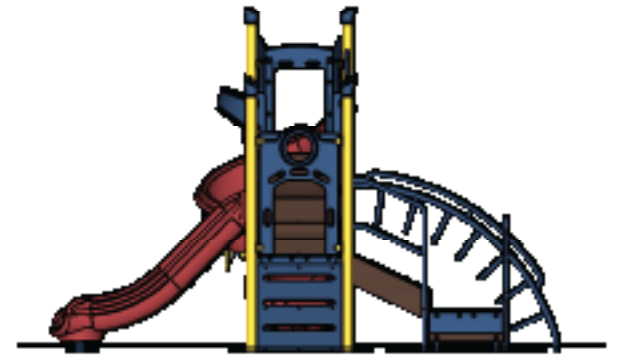
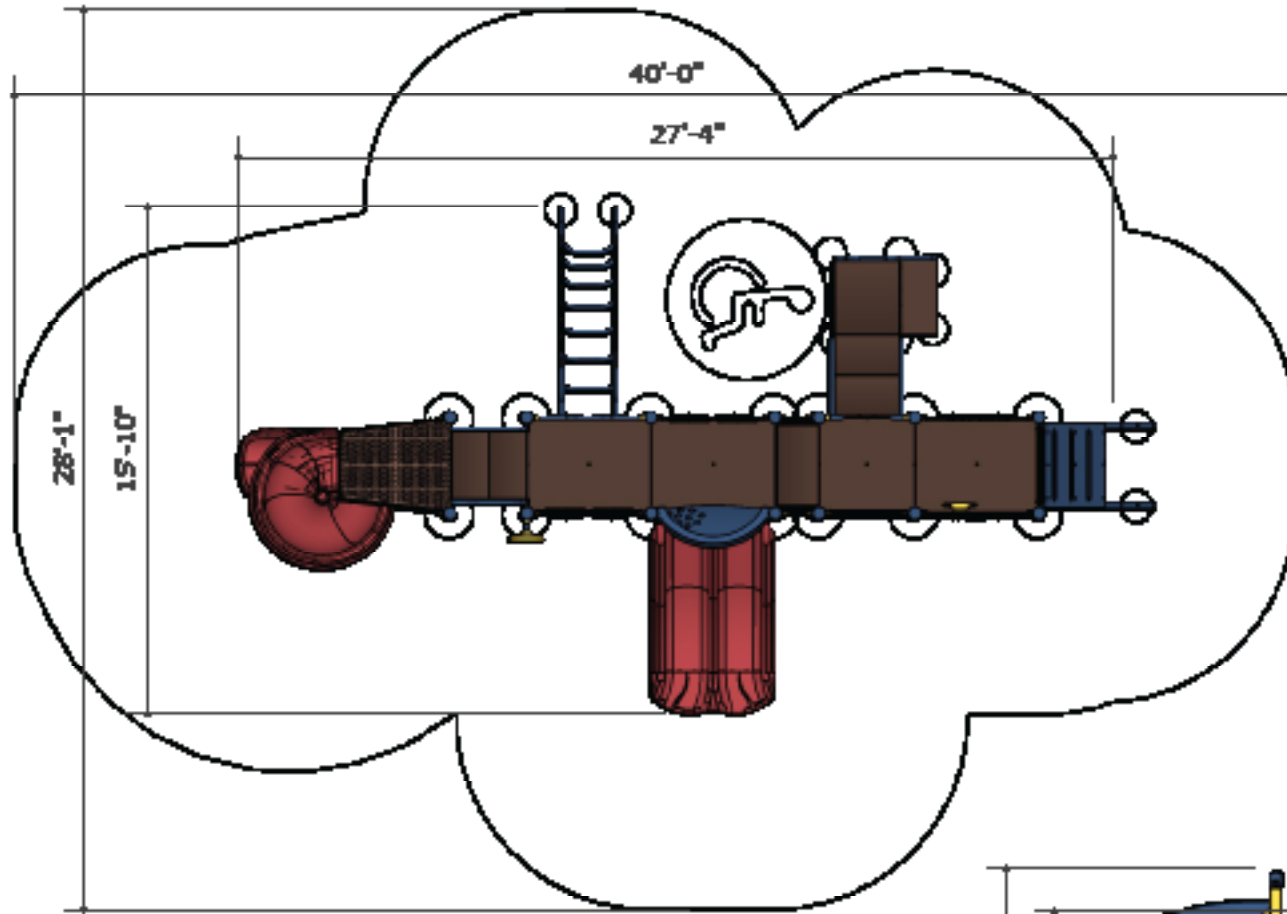
Double Straight Slide



ADA Accessibility

Number of Play Events	13	
Number of Elevated Play Events	8	
Number of Elevated Play Events Accessible by Ramp	0	Required 0
Number of Elevated Play Events Accessible by Transfer System	Provided 6	Required 3
Number of Ground Level Play Events on Accessible Route	Provided 2	Required 2
Number of Types of Ground Level Play Events on Accessible Route	Provided 2	Required 2





Partner

Superior[®]
RECREATIONAL PRODUCTS
A PLAYCORE Company

<https://srpplayground.com/>



srpplayground.com
866-795-7545