



Structure:
FX3-WST212-001-00
Theme: Western

Preliminary Concept Design

Conceptual Renderings Only. Subject to change without notice at SRP's Discretion



Transfer



Steel



Post Dia.



Age Group

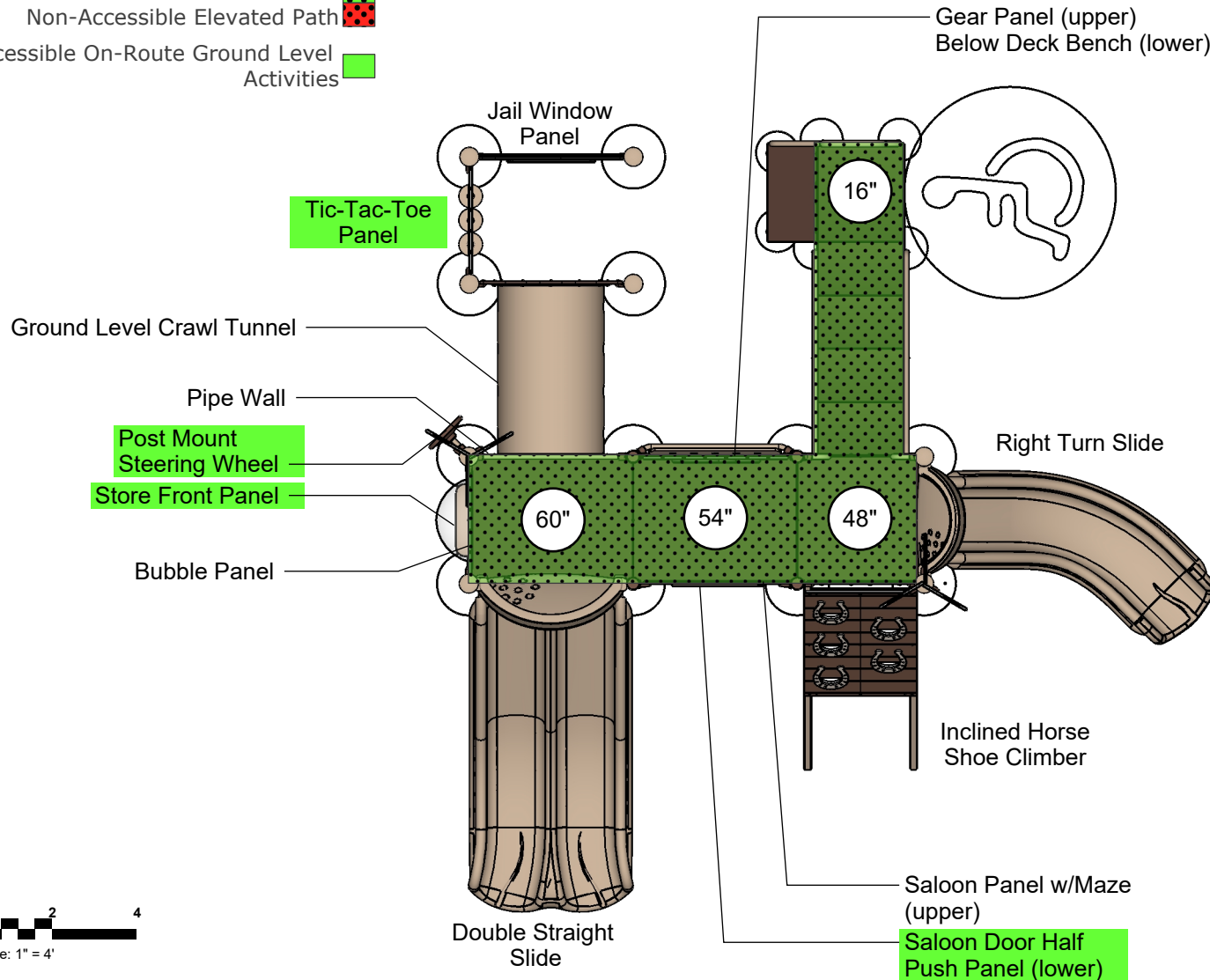
Designer: N.Guice

Date: 5/5/2023





- Accessible On-Route Elevated Path
- Non-Accessible Elevated Path
- Accessible On-Route Ground Level
- Activities



Minimal Fall Zone Surfaced with Resilient Material

Use Zone Area: 701 SqFt
Use Zone Perimeter: 103' Ft
Use Zone Dimensions: 31'x31'

Structure Size: 19'x19'
Structure Overall Height: 15'

Structure is Designed for Children Ages: 2-12

Post Diameter: 3.5" Steel

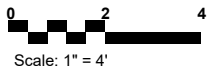
User Capacity: 29

Fall Height: 5'

48" Timber Count: 26

Designer: N Guice

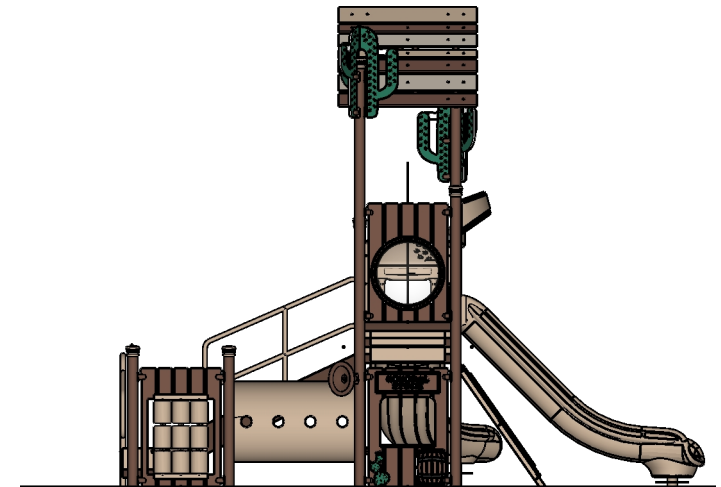
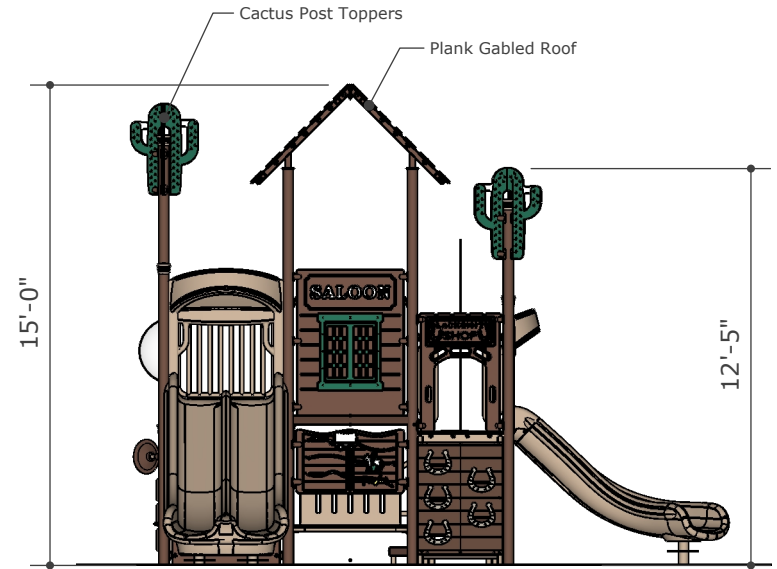
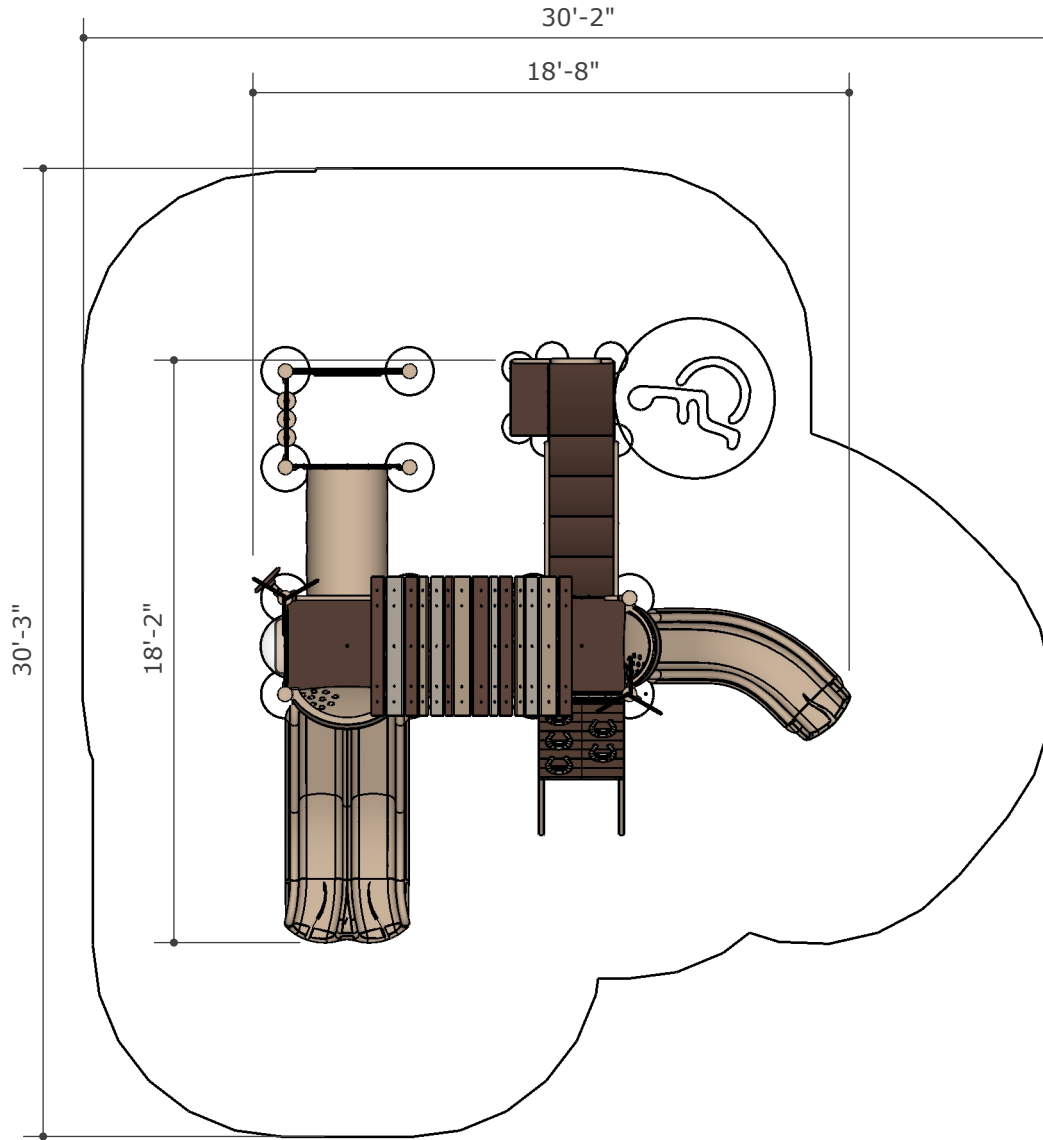
Revised By:



ADA Accessibility

Number of Play Events	13	
Number of Elevated Play Events	6	
Number of Elevated Play Events Accessible By Ramp	0	Required 0
Number of Elevated Play Events Accessible by Transfer System	Provided 6	Required 3
Number of Ground Level Play Events on Accessible Route	Provided 4	Required 2
Number of Types of Ground Level Play Events on Accessible Route	Provided 4	Required 2





Partner

Superior[®]
RECREATIONAL PRODUCTS
A PLAYCORE Company

<https://srpplayground.com/>



srpplayground.com
866-795-7545