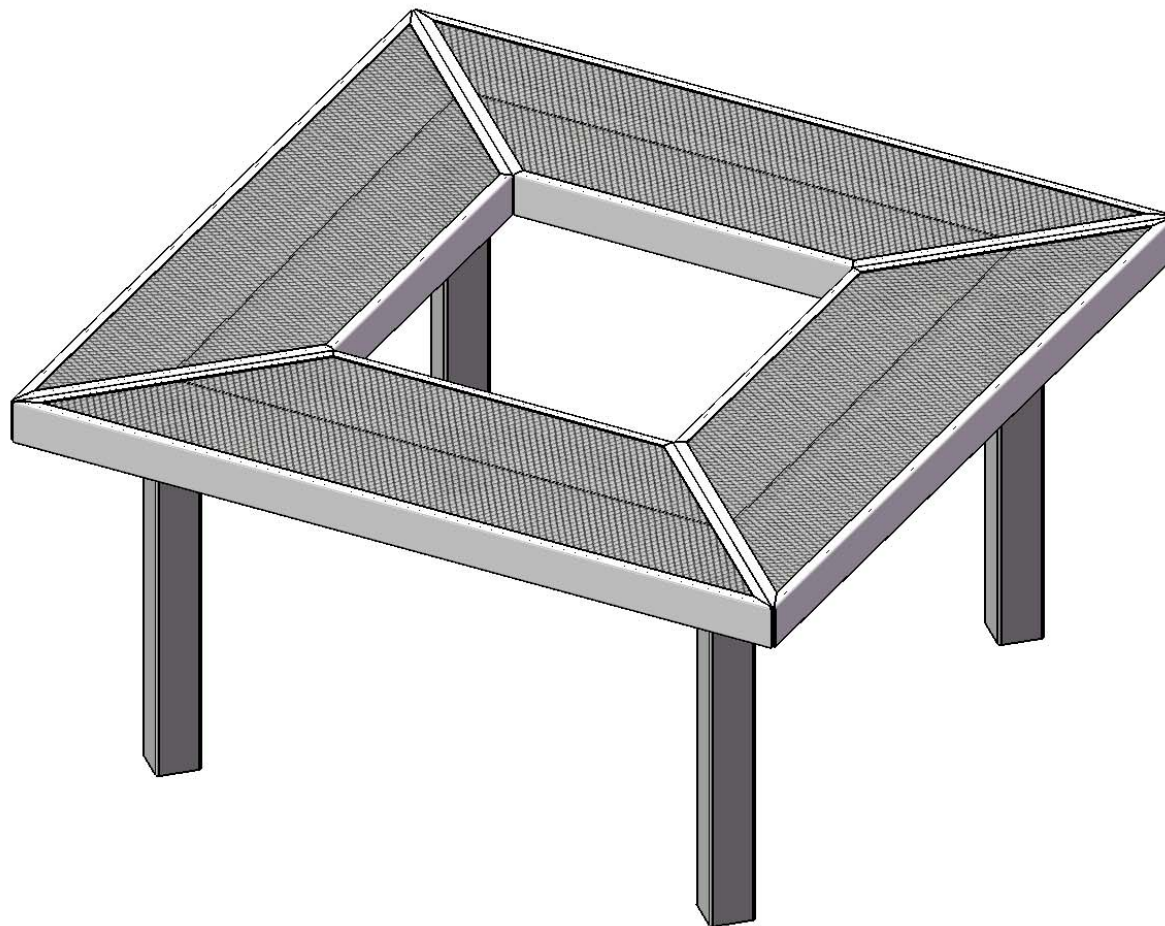


Site Amenities

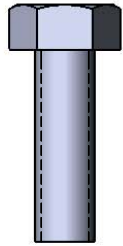
BY SUPERIOR RECREATIONAL PRODUCTS



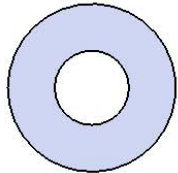
Model #
GBS72S

 **SUPERIOR**[®]
RECREATIONAL PRODUCTS
A **PLAYCORE** Company

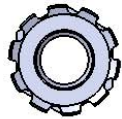
HARDWARE



5/16" x 1"
Machine Bolt



5/16" Washer



5/16" Kep Nut

PRODUCT SPECIFICATIONS

GBS72S INGROUND MOUNT “MALL” BENCH

Seats: Side rails are formed from 14 gauge steel. 3/4" #9 steel expanded metal. 7 gauge x 1-1/2" flat bar center support and mounting bracket understructure. Electrically MIG welded.

Seat Coating: Oven fused functionalized polyethylene copolymer-based thermoplastic. Fluidized bed coating application with superior mechanical performance, impact resistance and UV-stability.

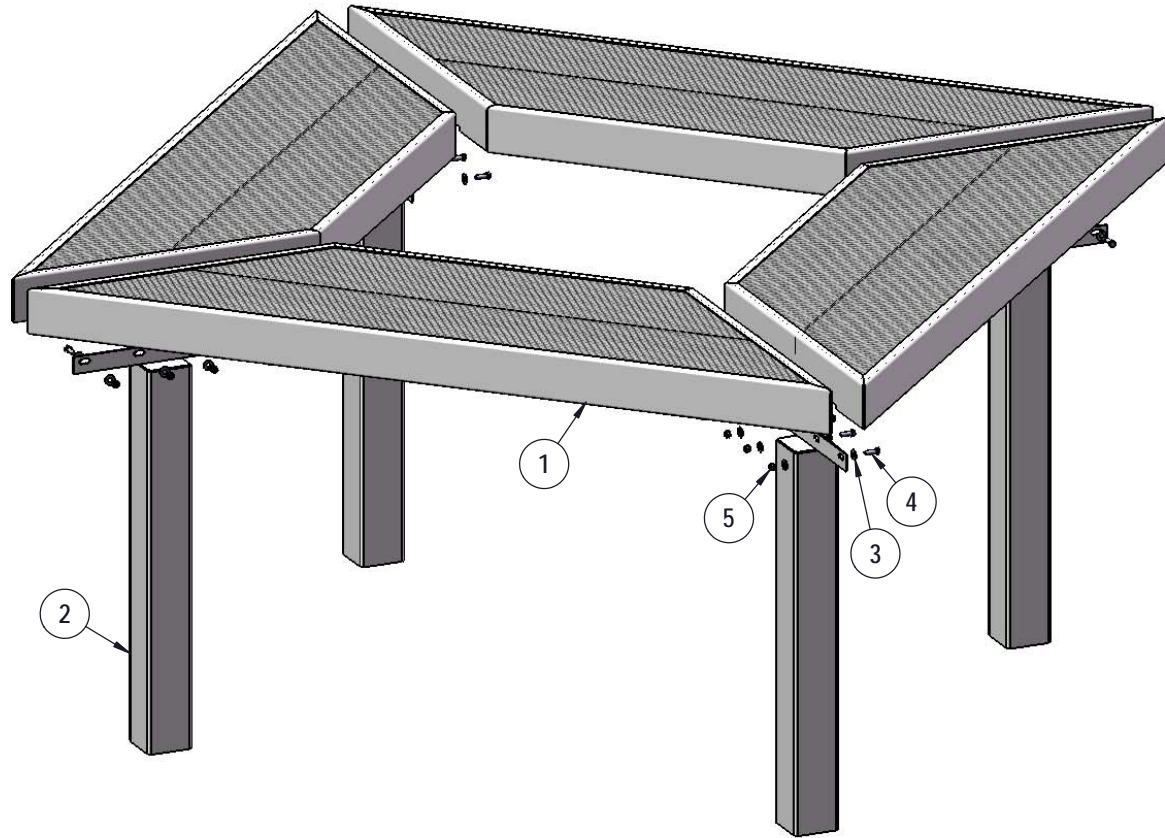
Frame: 4 x 4 x 11 gauge structural zinc coated steel square tubing. Legs are capped with a 4 x 4 x 3/16" steel flat bar. Seat and top mounting points 7 gauge x 1-1/2" die stamped steel flat bar. All electrically MIG welded.

Frame Coating: Electrostatic powder coated application oven cured.

Hardware: All stainless steel hardware fasteners.

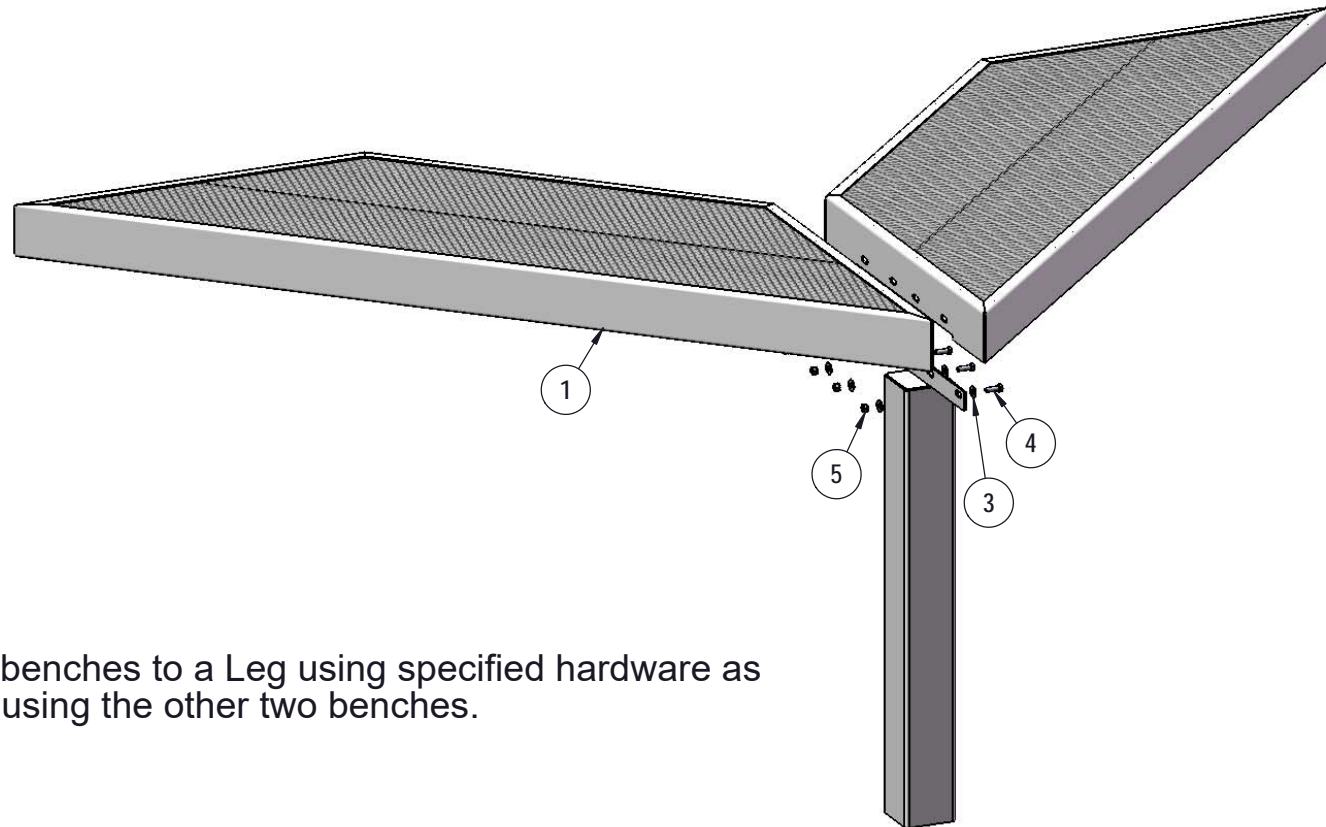
Dimensions: 6' bench inground without back. Seats are 20" wide x 72-1/8" long. Seat height is 18". Creating a 72 1/8" square.

COMPONENTS



ITEM NO.	PartNo	DESCRIPTION	QTY
1	T-V72GM-S	6' expanded geometric mall bench seat	4
2	P-V934S	934 S Leg	4
3	33-02-0007	5/16" SS Washer	32
4	33-05-0029	5/16" x 1" Machine Bolt (SS)	16
5	33-03-0012	5/16" Kep Nut (SS)	16

STEP 1

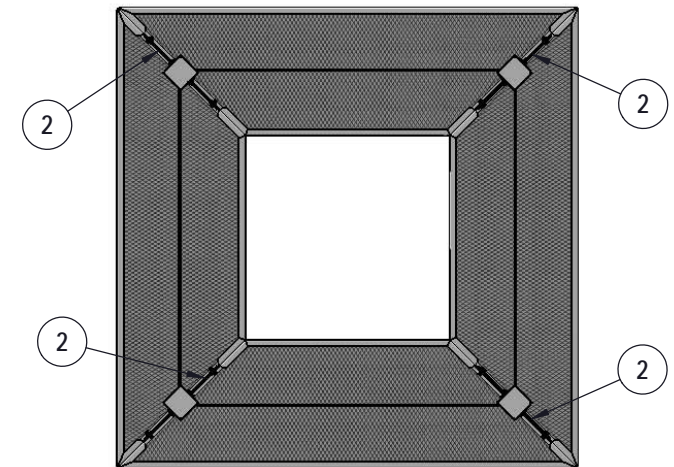


Attach two of the 6' benches to a Leg using specified hardware as shown. Repeat this using the other two benches.

STEP 2

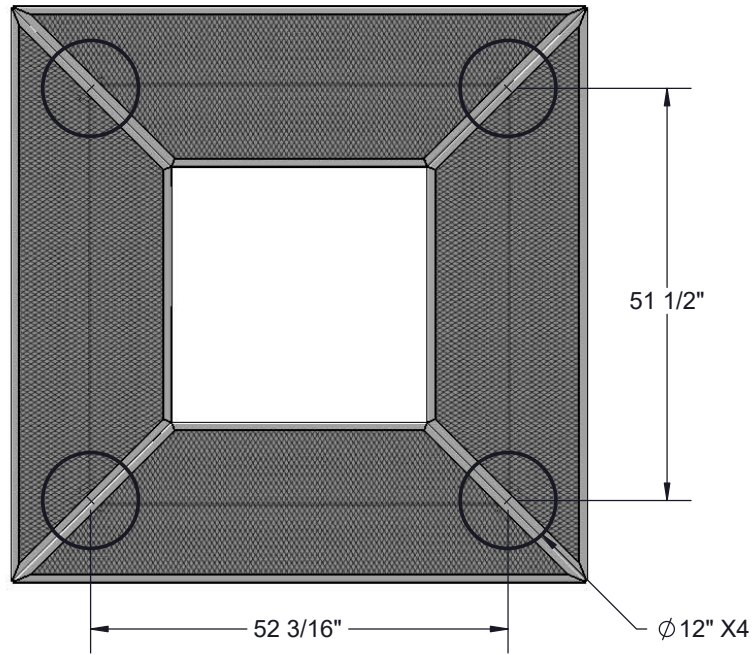


Take note of leg position.

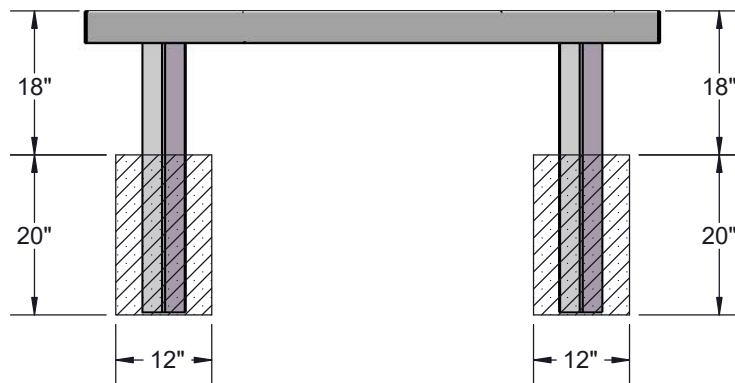


Attach the two halves of the square together using the other two legs and hardware.

FOOTINGS



Estimated Required Concrete:
14 - 50lb Bags of Concrete Mix



OVERALL DIMENSIONS

