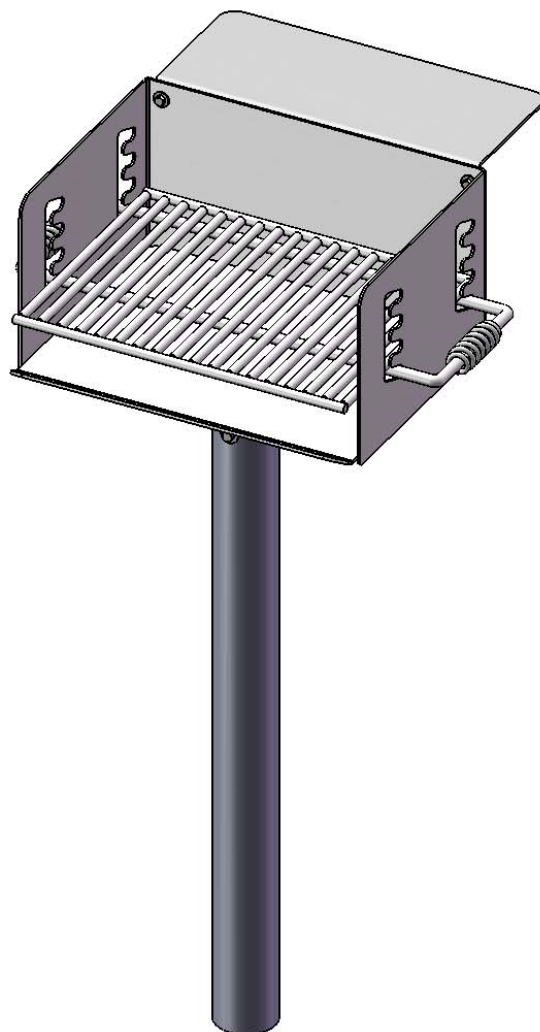


# Site Amenities

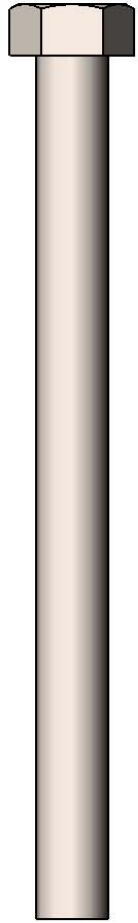
BY SUPERIOR RECREATIONAL PRODUCTS



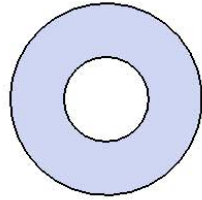
Model #  
GPS20

 **SUPERIOR**<sup>®</sup>  
RECREATIONAL PRODUCTS  
A **PLAYCORE** Company

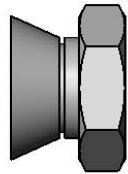
# HARDWARE



3/8" x 4-1/2"  
Machine Bolt



3/8" Washer



3/8" Breakaway  
Nut

# PRODUCT SPECIFICATIONS

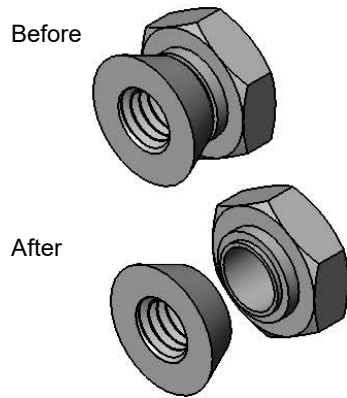
## GPS20 Pedestal Mounted Cooking Grill

Firebox shall have a length of 20", a width of 15", and a height of 10". Sides shall be fabricated of 10 gauge steel and the floor of 3/16" steel plate for added strength. A 3/16" thick formed steel plate shall be mechanically fastened to the grill back providing a stable shelf. For safety, corners of firebox shall be rounded. For drainage, holes shall be provided in the rear corners of side plates. The theft resistant cooking grate shall be fabricated from 1/2" steel bars with a cooking surface of 300 sq. inches. Support bars for grate will be of heavier 5/8" round steel, with cool coil spring grip handles on each side. Grate will adjust to four convenient levels. Finish will be non-toxic rust resistant, black paint or hot dipped galvanized. Support post will be 3-1/2" O.D. galvanized steel pipe, 40" in length, for setting in concrete.

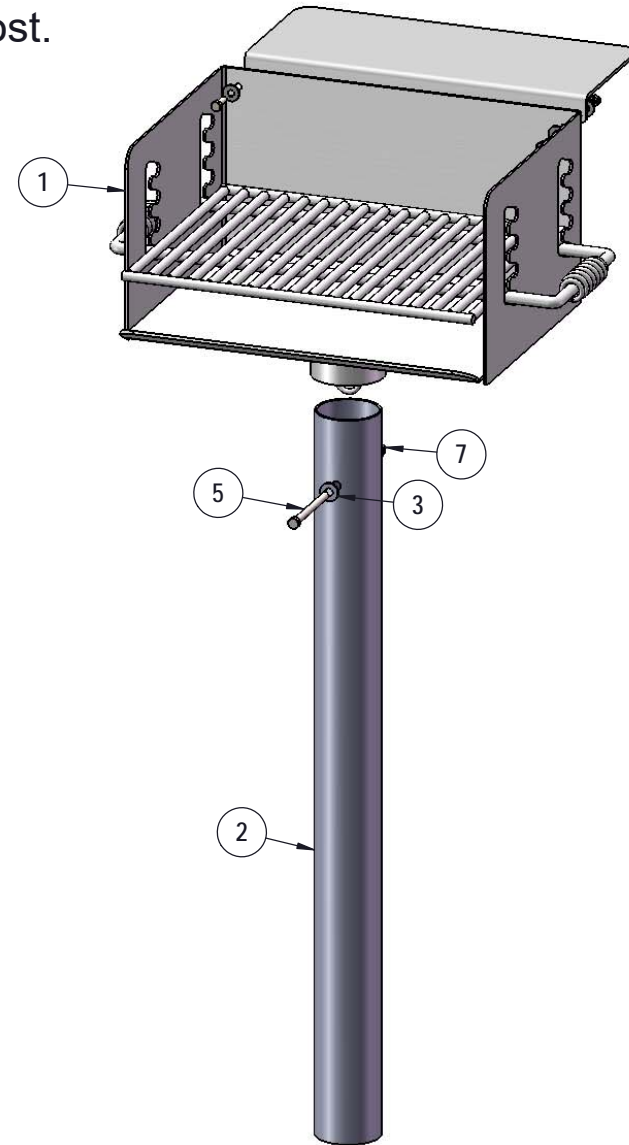
**WARNING:** Combustion byproducts produced when using this product include carbon monoxide, a chemical known to the State of California to cause birth defects or other reproductive harm.

# COMPONENTS

Attach the Grill Box to the 3-1/2" Post using specified hardware.  
 Note: Round edge of Breakaway Nut goes towards the post.

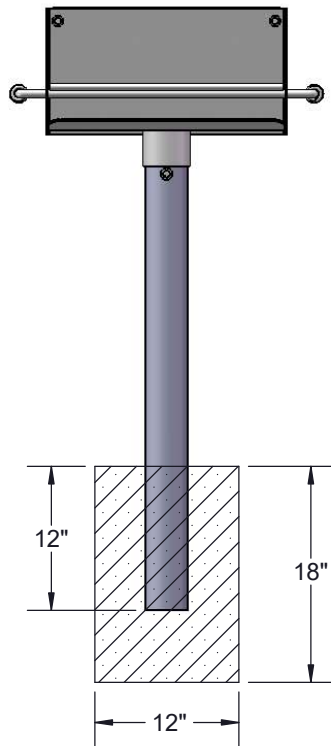
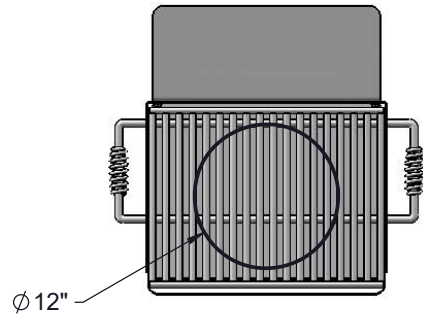


Hex part of nut will break off  
 when tightened to 185in-lbs.



ITEM NO.	PartNo	DESCRIPTION	QTY
1	630-3	630-3 Grill Box	1
2	01-03-0090	3-1/2" IG Grill Post	1
3	33-02-0002	3/8" Zinc Plated Washer	2
4	33-02-0001	5/16" Zinc Plated Washer	4
5	33-05-0018	3/8" x 4 1/2" Machine Bolt (Zinc)	1
6	33-05-0001	5/16" x 1" Machine Bolt (Zinc)	2
7	33-01-0037	3/8"-16 breakaway nut, zinc	1
8	33-01-0001	5/16" Hex Nut (Zinc)	2
9	01-03-0010	Grill Utility Shelf	1

# COMPONENTS



Estimated Required Concrete:  
4 - 50lb Bags of Concrete Mix

# OVERALL DIMENSIONS

**WARNING:** Combustion byproducts produced when using this product include carbon monoxide, a chemical known to the State of California to cause birth defects or other reproductive harm.

