

LILYPAD CYMBALS INSTALLATION GUIDE

FREENOTES HARMONY PARK
 194 BODO DRIVE, UNIT F
 DURANGO CO 81303
 TEL: (970) 375-7825
 FAX: (970) 247-0856
 WWW.FREENOTESHARMONYPARK.COM

PROPRIETARY AND CONFIDENTIAL
 THE INFORMATION CONTAINED IN THIS
 DRAWING IS THE SOLE PROPERTY OF
 FREENOTES HARMONY PARK. ANY
 REPRODUCTION IN PART OR AS A
 WHOLE WITHOUT THE WRITTEN
 PERMISSION OF FREENOTES HARMONY
 PARK IS PROHIBITED.

TITLE: Lilypad Cymbals - Installation Guide

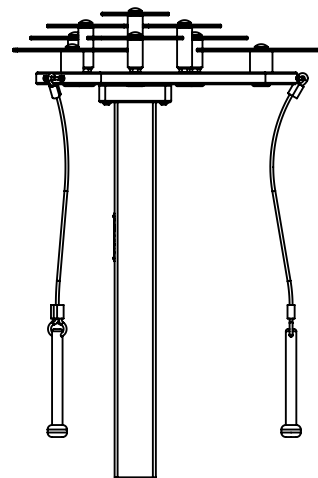
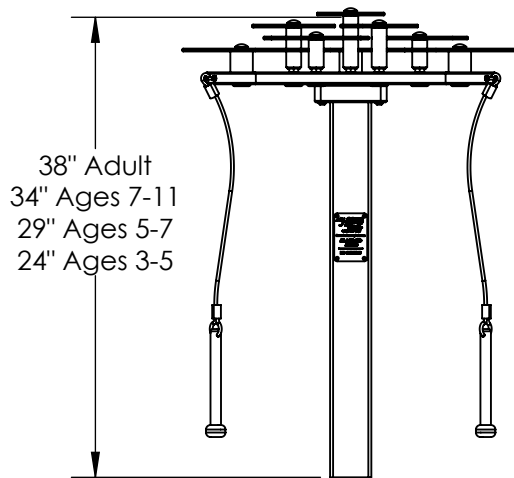
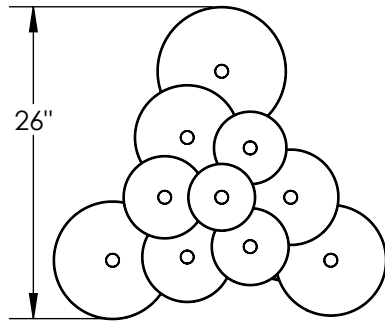
DWG. NO. LPAD-INSTALL

REVISION: A

SCALE: 1:16

DATE: 2/9/2018

SHEET 1 OF 4



38" Adult
 34" Ages 7-11
 29" Ages 5-7
 24" Ages 3-5

Main Features:

- C Major Pentatonic
- Recycled HDPE Frame
- Anodized Aluminum Cymbals
- Stainless Steel Hardware

Contents:

- SHEET 2 - Parts List and Instrument to Post Installation
- SHEET 3 - In Ground Installation
- SHEET 4 - Surface Mount Installation

Weights:

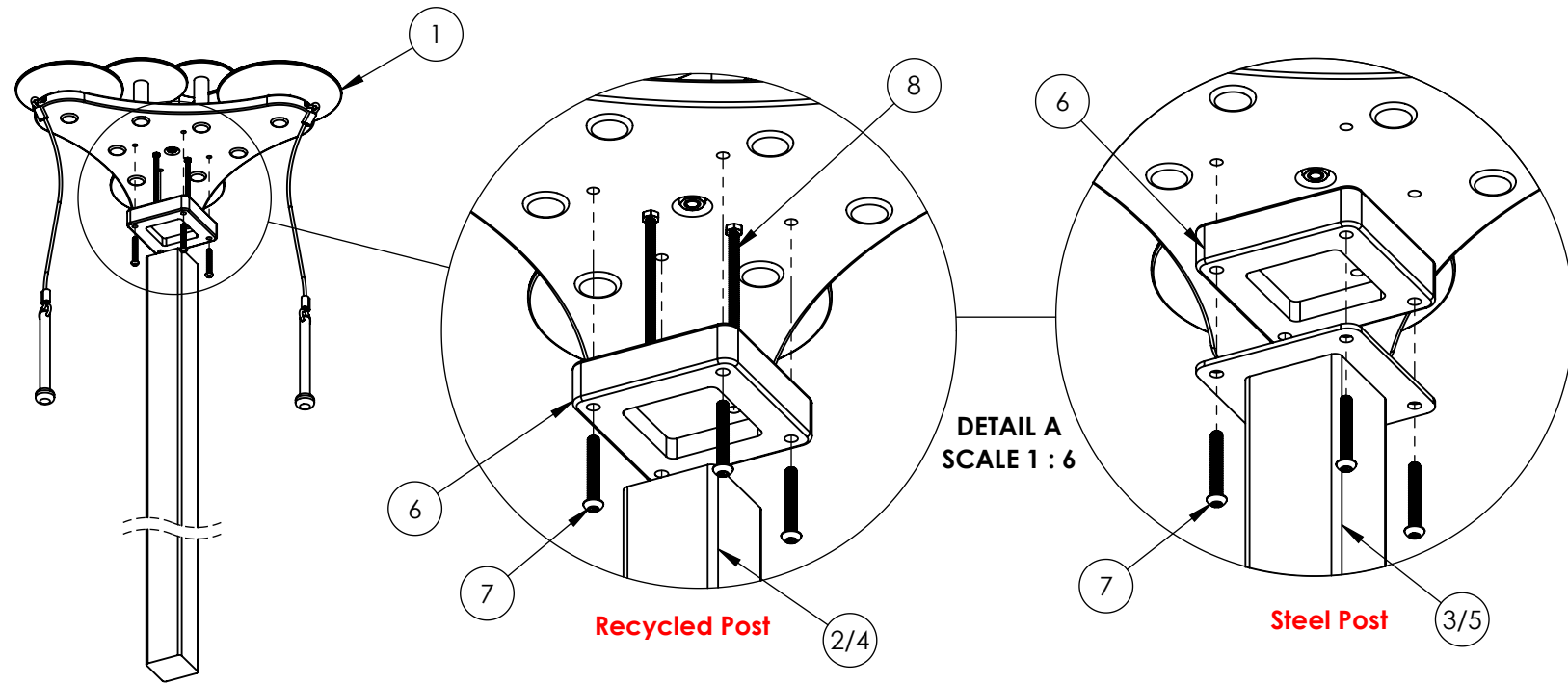
- Instrument Weight, 28lbs.
- Boxed Instrument Weight, 35lbs.
- Boxed Post Weight, 20l-36bs.

Parts List:

ITEM NO.	DESCRIPTION	In Ground - Recycled Post/QTY.	In Ground - Steel Post/QTY.	Surface Mount - Recycled Post/QTY.	Surface Mount - Steel Post/QTY.
1	Lilypad Cymbals Instrument Assembly	1	1	1	1
2	In Ground Recycled Post, 68"lg.	1	-	-	-
3	In Ground Steel Post, 67"lg.	-	1	-	-
4	Surface Mount Recycled Post, 32"lg.	-	-	1	-
5	Surface Mount Steel Post, 31"lg.	-	-	-	1
6	Surface Mount Base, For Recycled Post	1	1	2	1
7	3/8"-16 Button Head Screw, 2.5"lg. SS, T45 temp	4	4	4	4
8	5/16" Hex Head Lag Bolt, 5"lg. SS	4	-	4	-
9	3/8"-16 Wedge Expansion Anchor, SS	-	-	4	4
10	35/64" Hex Nut Cap	-	-	4	4
11	Security Driver	1	1	1	1

Step 1 (Recycled Post Only): Install one of the Surface Mount Bases to the top of the Post. Align the holes on the Base with the holes on the Post. Fasten them together with the provided 5/16" Hex Head lag Bolts.

Step 2 : Align Post holes and/or Surface Mount Base holes with the holes on the bottom of the Instrument Assembly. Fasten the Post to the Instrument with the provided (4) 3/8"-16 Button Head Screws and Security Driver. Apply a small amount of Lock-Tite to the threads of the Bolts prior to installation.



Step 1: Excavate one 10" diameter hole, 36" deep, at the installation location. Contractor can modify Post to desired height.

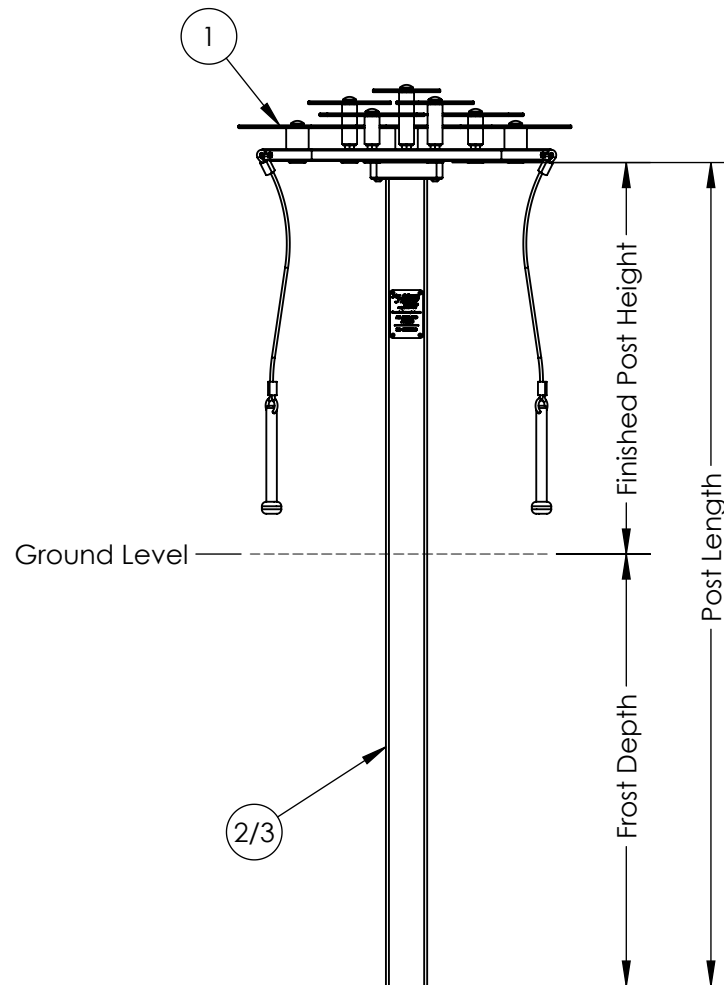
Post Length = Frost Depth (36" Recommended) + Finished Post Height

Finished Post Height Guideline: (Ages 3-5, 18") (Ages 5-7, 23") (Ages 7-11, 28") (Adult, 32")

Step 2: With two people, lower the Post with the Instrument attached into the excavated hole.

Step 3: Verify the correct placement, levelness, and finished height of the Instrument. Check for sufficient clearance around the Instrument, a 36" perimeter around the Instrument is recommended for wheelchair accessibility.

Step 4: Last pour concrete around the post. It is recommended to brace the Instrument to hold it rigid while the concrete cures. Leave to set according to the concrete manufacturers guidelines. Approximately (3) 80lb. bags will be needed.



TITLE:
In Ground Installation

DWG. NO. LPAD-INSTALL

REVISION: A

SCALE: 1:16

DATE: 2/9/2018

SHEET 3 OF 4

Step 1: Standard height for Surface Mount Posts are 36". The Recycled Post may be modified in the field to the following heights:
(Ages 3-5, 18") (Ages 5-7, 23") (Ages 7-11, 28") (Adult, 32")
The height of Surface Mount Steel Posts can not be adjusted.

Step 2: Determine installation location. Verify concrete footing is a minimum of 24" long x 24" wide x 6" thick. If the concrete pad is at an angle, steel washers are required to act as shims (Shims not provided). If there is not already an existing pad, approximately (4) 80lb. bags will be needed. Allow concrete to cure per concrete manufacturers guidelines.

Step 3 (Recycled Post Only): Install the Surface Mount Base to the bottom of the Post. Align the holes on the Base with the holes on the Post. The Base should fit snugly around the Post. Fasten them together with the provided 5/16" Hex Head Lag Bolts.

Step 4: With two people place the Instrument Assembly with Post attached onto the concrete pad and mark the center of the holes on the surface mount base. After you have made your marks, set aside the Instrument in order to drill for anchor holes. With a hammer or rotary drill, drill through concrete at marked locations. Drill to a minimum depth of 4". A 3/8" masonry drill bit will be needed.

Step 5: Place the Instrument back over the drilled out holes. Insert provided anchor bolts into aligned holes. Position anchor nut so that it is flush with the top of the bolt. Pound anchor bolts into the hole until the anchor washer is flush with the surface mount base. Tighten anchor bolts until they are snug. Cover remaining bolt sections with provided nut caps.

Step 6: Verify the correct placement, levelness, and finished height of the Instrument. Check for sufficient clearance around the Instrument, a 36" perimeter around the Instrument is recommended for wheelchair accessibility.

Step 7: If installing onto wet concrete, us the wet set anchor manufacturers guidelines for installation procedures.

