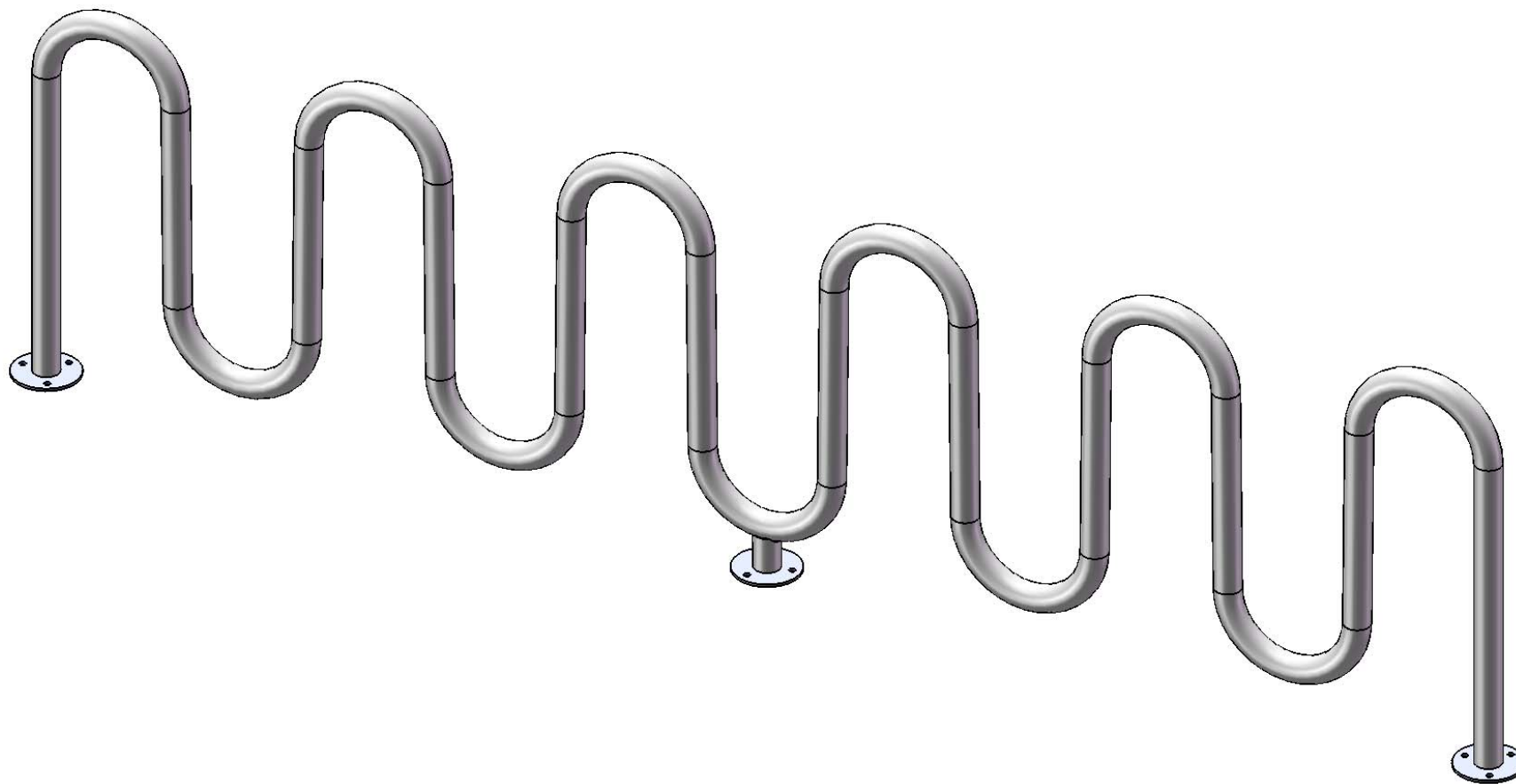


Site Amenities

BY SUPERIOR RECREATIONAL PRODUCTS



Model #
MSBR6-SM

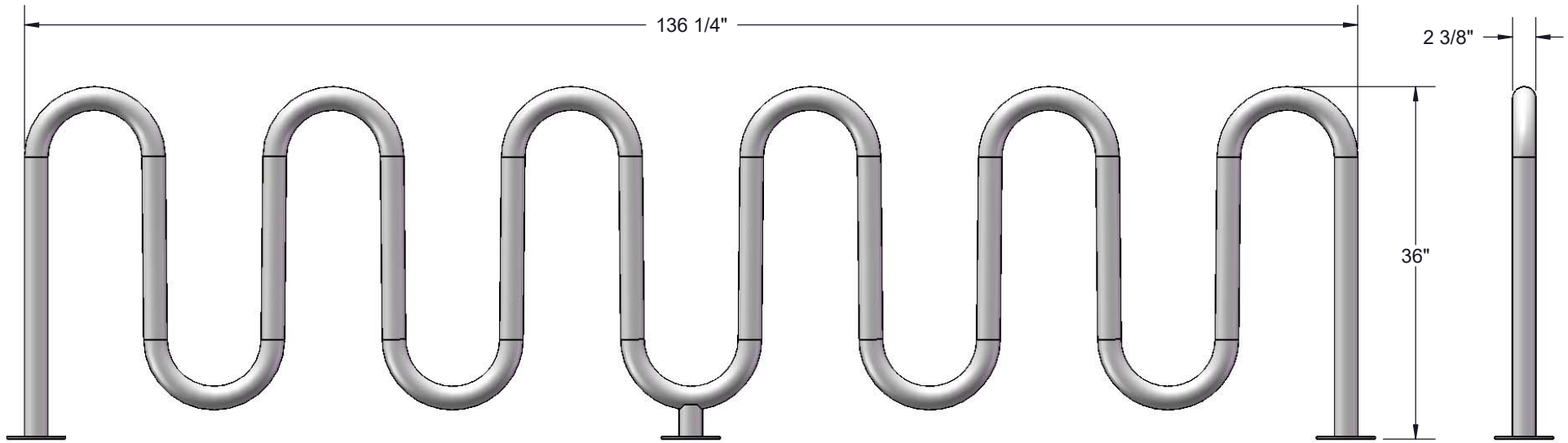
 **SUPERIOR**[®]
RECREATIONAL PRODUCTS
A **PLAYCORE** Company

PRODUCT SPECIFICATION

MSBR6-SM

Overall dimensions shall be 36" high x 2-3/8" wide x 136 1/4". Framework shall be fabricated from 2-3/8" O.D. 12 gauge pipe. Made to hold 13 bikes. Surface mount plate is 6" diameter x 1/4" thick steel, electrically MIG welded.

OVERALL DIMENSIONS



Recommended Surface Mount Hardware:
3/8" x 3-1/2" Concrete Expansion Anchor Bolts