

# Installer's Reference



## Me and My Pal Bench

Models BAR70080 and BAR70080S

### Know What's Below

As with all projects involving digging, start by knowing what is in the ground below. Underground utilities may include cable, electric, sprinklers, sewer, water, telecommunications, drainage pipes and sprinklers. You can usually accomplish this with one phone call (Dial 811) to your state's underground utility service.

### Conduct an Inventory

Begin installation with of hardware and parts, assuring everything you need is onsite when you begin.

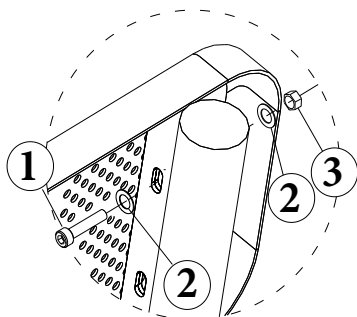
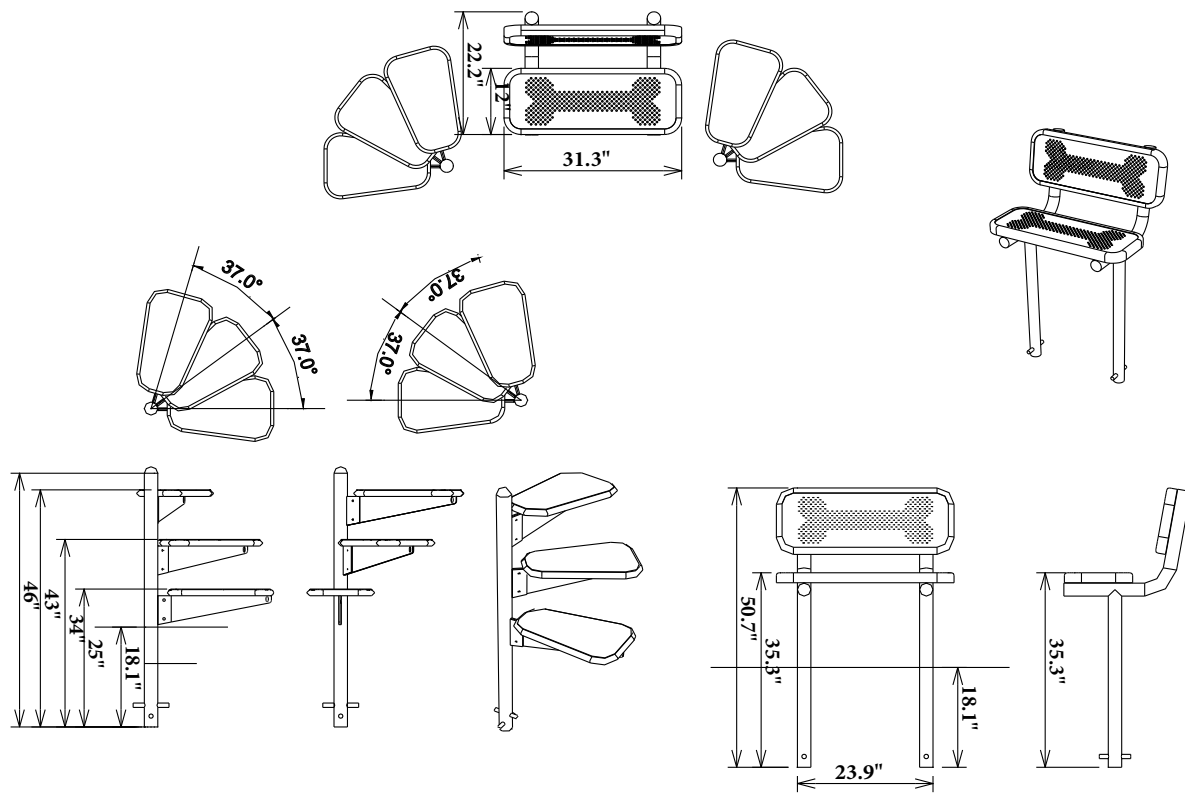


PLAYGROUNDS & SITE AMENITIES

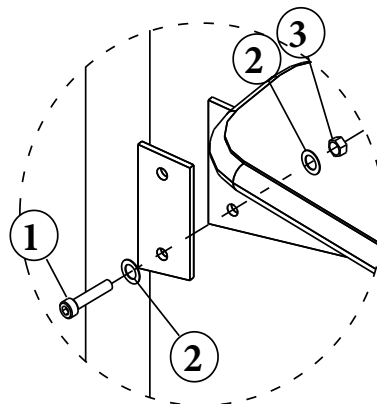
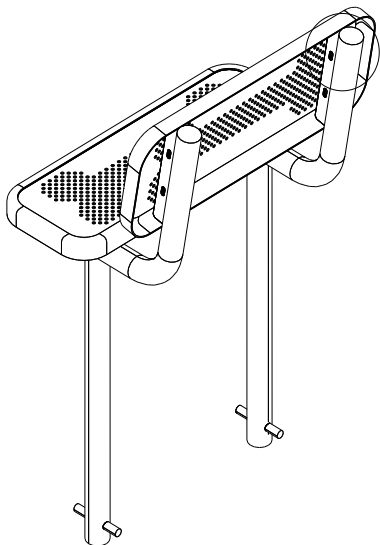
KORKAT  
221 CABLE INDUSTRIAL WAY  
CARROLLTON, GA 30117

SALES@KORKAT.COM

1-888-356-7528  
Prices are subject to change.  
© 2021 KorKat All Rights Reserved.



1. TAMPER RESISTANT TORX-BOLT, M10x30 (8)
2. FLAT WASHER, M10 (16)
3. LOCK NUT, M10 (8)



1. TAMPER RESISTANT TORX-BOLT, M10x30 (6)
2. FLAT WASHER, M10 (12)
3. LOCK NUT, M10 (6)

