

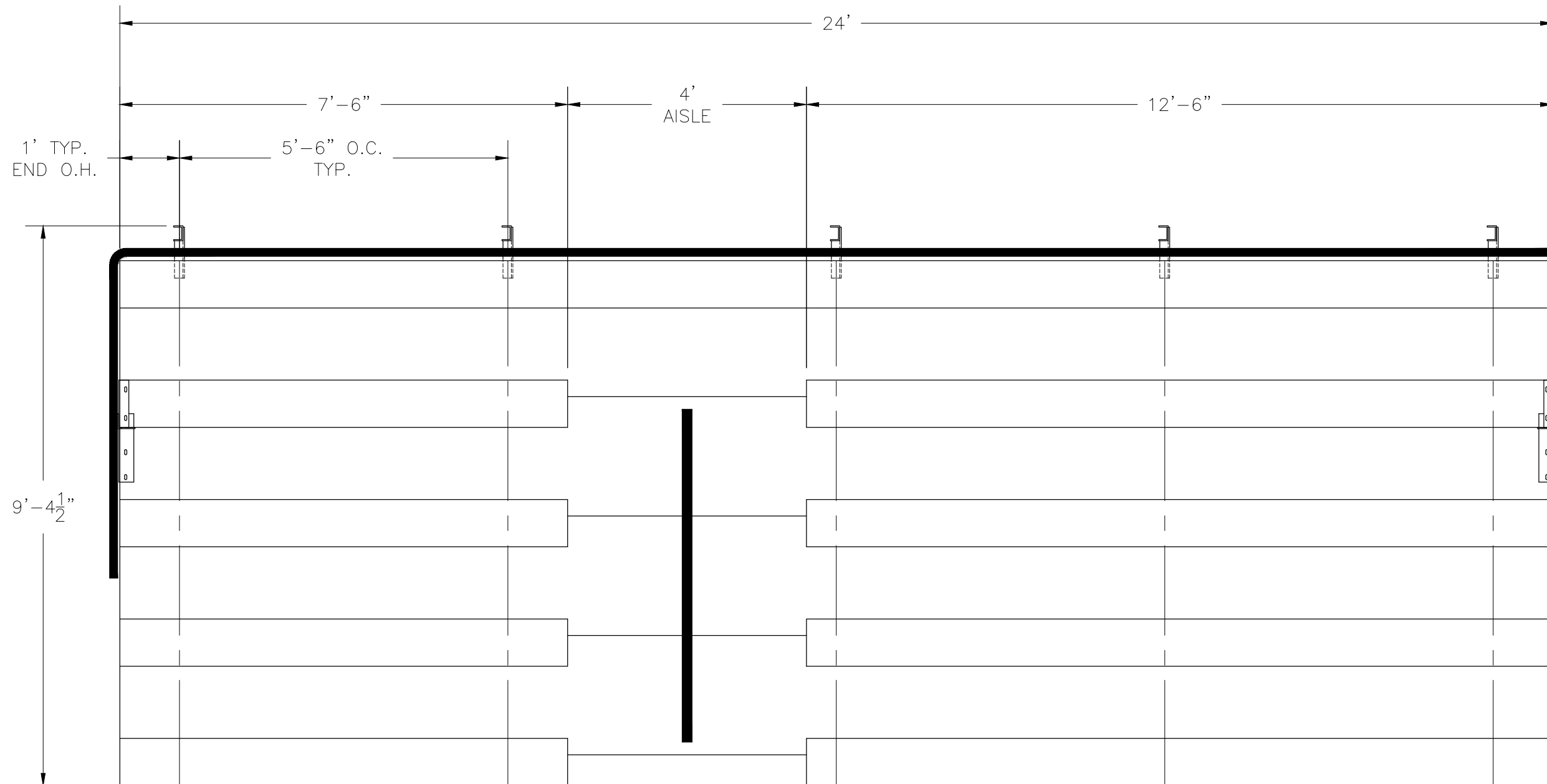
NA-0524DLX_CL

NON ELEVATED 5 ROW x 24'-0" BLEACHER

National Recreation Systems, Inc.

1300-D NORTH AIRPORT OFFICE PARK FORT WAYNE, IN 46825

CS.1	- COVER SHEET
TD.1	- BLEACHER SEATING PLAN
BA.1	- BLEACHER ASSEMBLY
BR.1	- BRACE ASSEMBLY
AP.1	- ANCHORING PLAN
FP.1	- FOUNDATION PLAN
PF.1	- PLANK & FRAMING PLAN
VA.1	- VERTICAL AISLE ASSEMBLY
GR.1	- GUARDRAIL ASSEMBLY
DS.1	- DETAIL SHEET

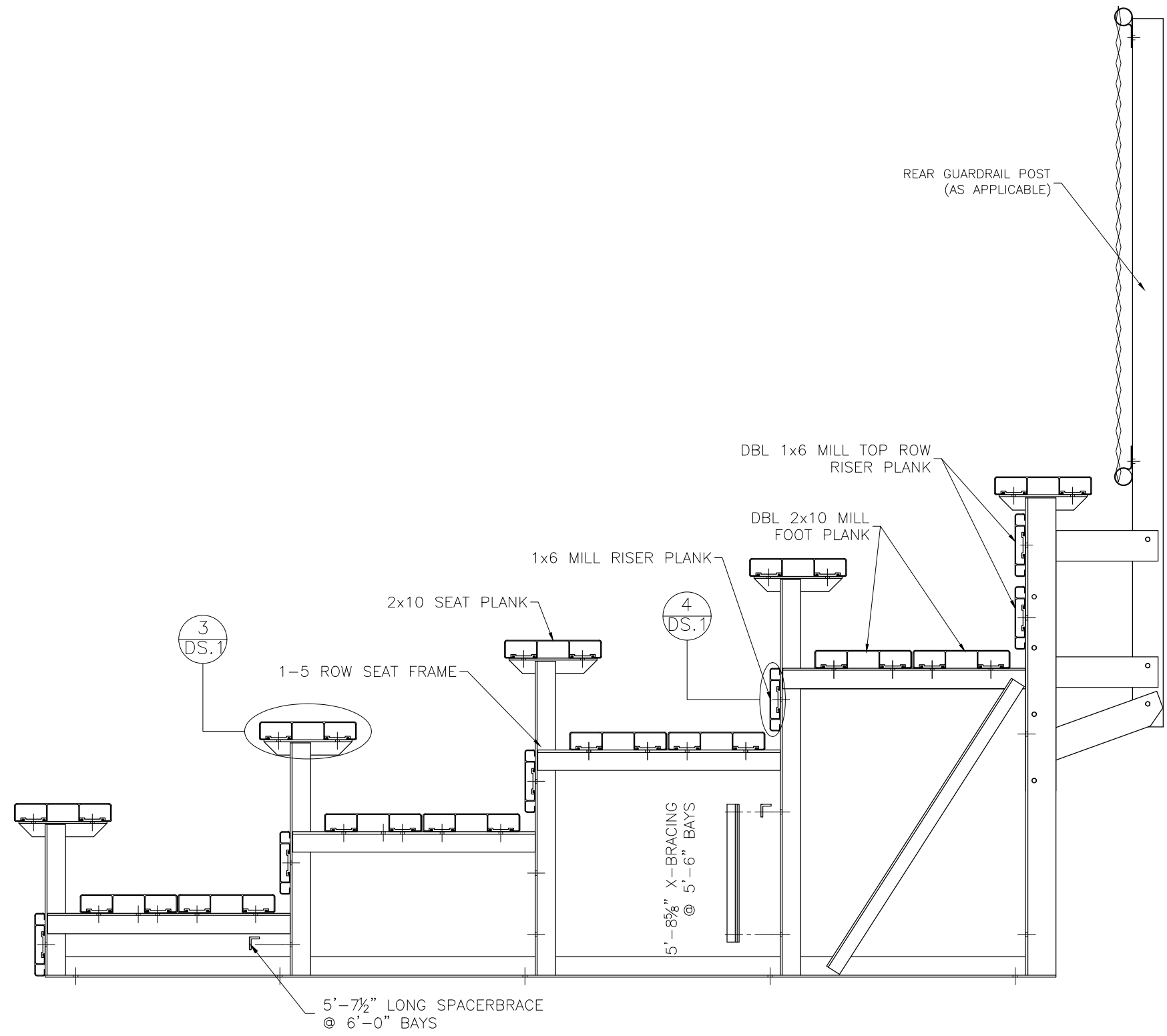


SECTION LENGTH	GROSS SEATS	ACTUAL SEATS	NO. OF ROWS	NET SEATS
24	16.00	16.00	1	16
7.5	5.00	5.00	4	20
12.5	8.33	8.00	4	32
NET SEATS				68
WHEELCHAIR SPACES				0
TOTAL NET SEATING CAPACITY (BASED ON 18" PER SEAT)				68

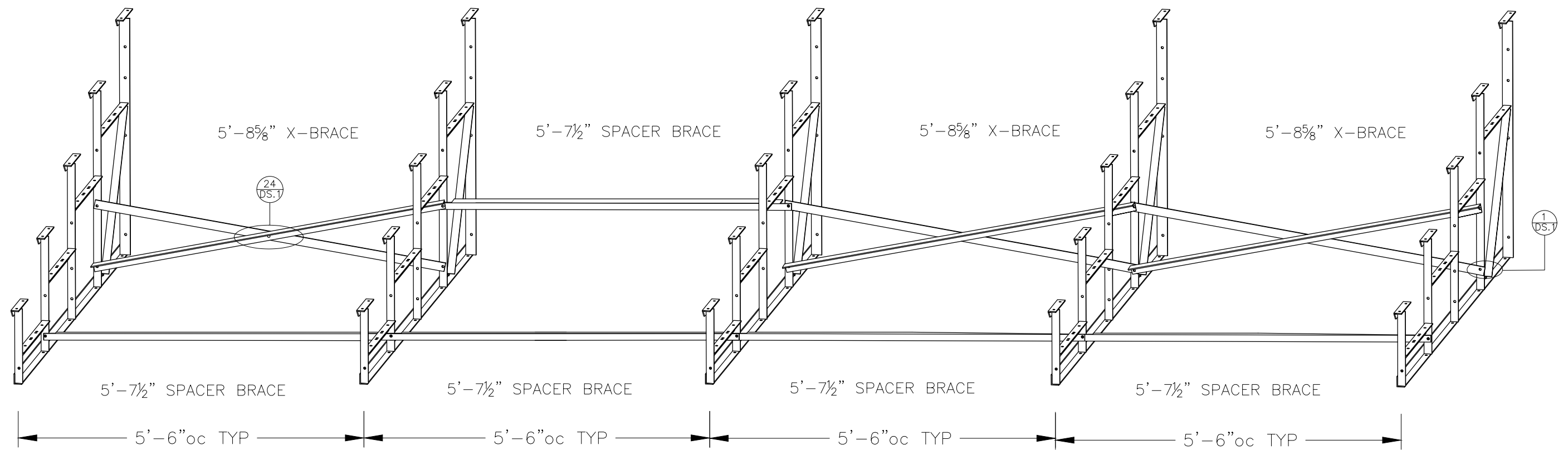
This drawing and all information contained herein is the property of NATIONAL RECREATION SYSTEMS, INC. and is not to be reproduced without express written permission of this manufacturer. We assume no responsibility for unauthorized use of this drawing. National Recreation Systems, Inc. is not responsible for local permits and occupancy requirements.

National Recreation Systems, Inc.
 1300-D NORTH AIRPORT OFFICE PARK FORT WAYNE, IN 46825

SCALE: N.T.S.	APPROVED BY:	DRAWN BY: JML
DATE: 07/22/2016		
TITLE: NON ELEVATED 5 ROW x 24'-0" BLEACHER SEATING PLAN		
BLEACHER MODEL #: NA-0524DLX_CL	DRAWING NUMBER: TD.1	

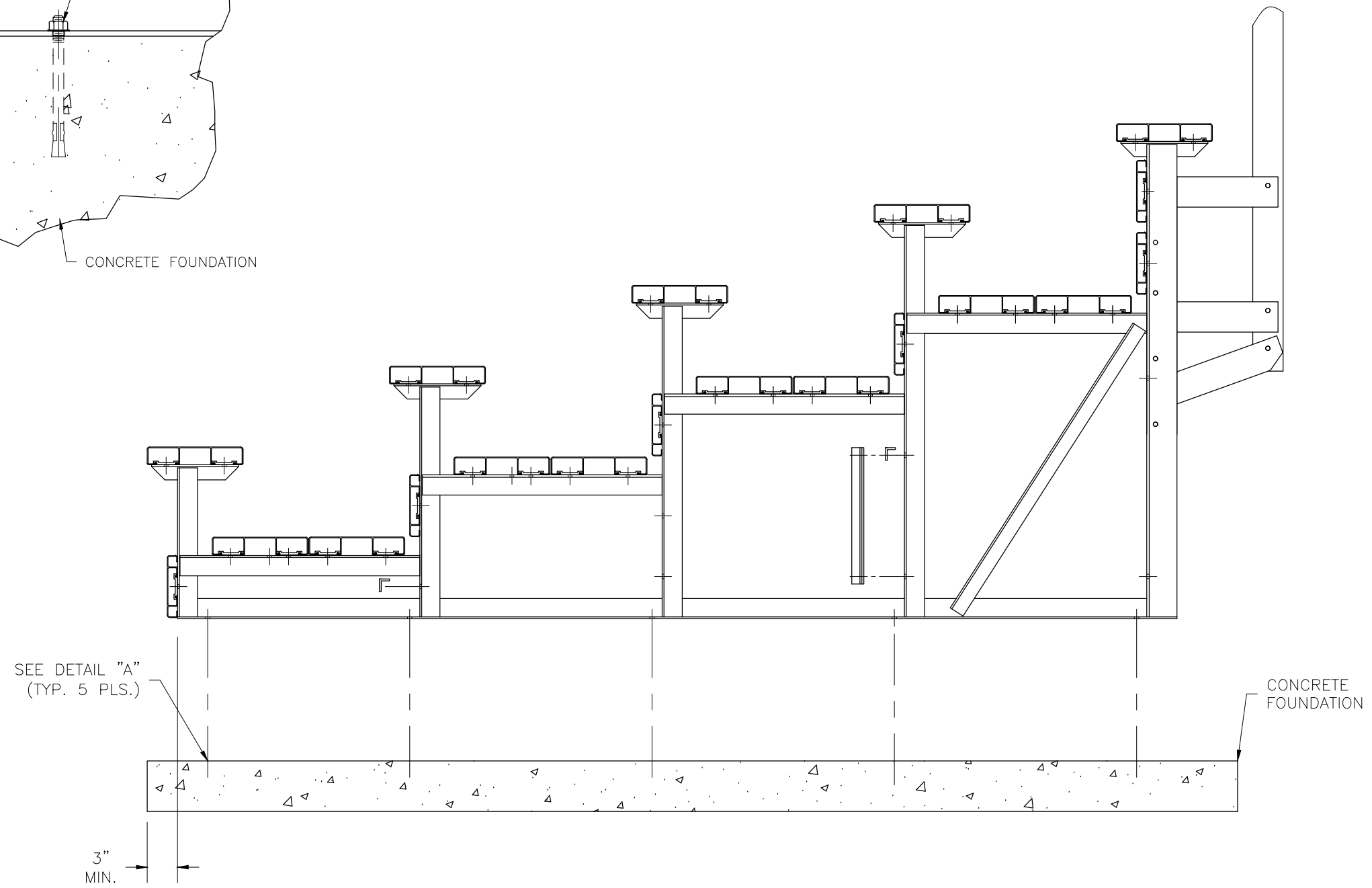
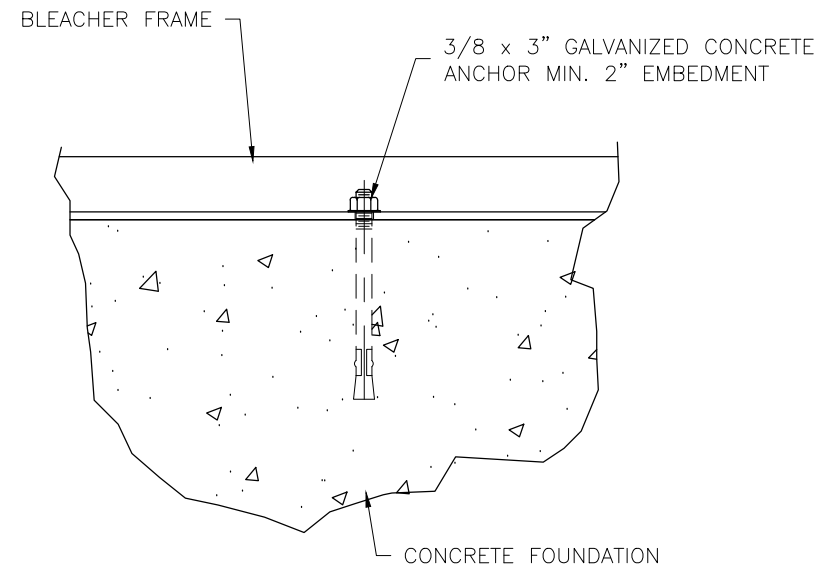


<p>This drawing and all information contained herein is the property of NATIONAL RECREATION SYSTEMS, INC. and is not to be reproduced without express written permission of this manufacturer. We assume no responsibility for unauthorized use of this drawing. National Recreation Systems, Inc. is not responsible for local permits and occupancy requirements.</p>			National Recreation Systems, Inc. 1300-D NORTH AIRPORT OFFICE PARK FORT WAYNE, IN 46825	
			SCALE: N.T.S.	APPROVED BY:
DATE: 07/22/2016				
TITLE: NON ELEVATED 5 ROW x 24'-0" BLEACHER ASSEMBLY				
BLEACHER MODEL #: NA-0524DLX_CL			DRAWING NUMBER: BA.1	

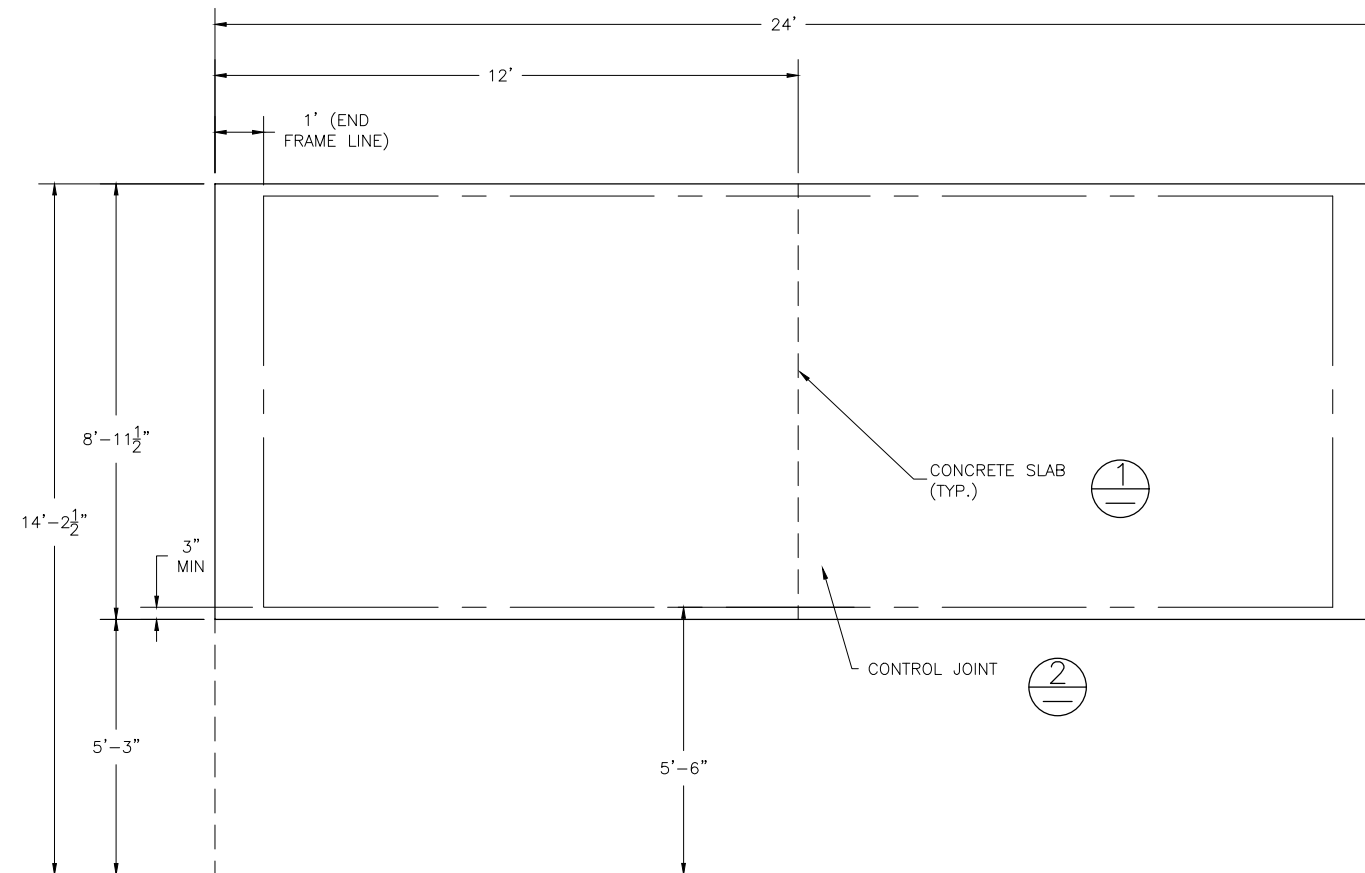


This drawing and all information contained herein is the property of NATIONAL RECREATION SYSTEMS, INC. and is not to be reproduced without express written permission of this manufacturer. We assume no responsibility for unauthorized use of this drawing. National Recreation Systems, Inc. is not responsible for local permits and occupancy requirements.			National Recreation Systems, Inc.	
			1300-D NORTH AIRPORT OFFICE PARK FORT WAYNE, IN 46825	
SCALE: N.T.S.	APPROVED BY:	DRAWN BY: JML		
DATE: 07/22/2016				
TITLE: NON ELEVATED 5 ROW x 24'-0" BLEACHER ASSEMBLY				
BLEACHER MODEL #: NA-0524DLX_CL			DRAWING NUMBER: BR.1	

DETAIL "A" - CONCRETE ANCHOR ATTACHMENT



This drawing and all information contained herein is the property of NATIONAL RECREATION SYSTEMS, INC. and is not to be reproduced without express written permission of this manufacturer. We assume no responsibility for unauthorized use of this drawing. National Recreation Systems, Inc. is not responsible for local permits and occupancy requirements.			National Recreation Systems, Inc. 1300-D NORTH AIRPORT OFFICE PARK FORT WAYNE, IN 46825	
			SCALE: N.T.S. DATE: 07/22/2016	APPROVED BY:
TITLE: ANCHORING PLAN			BLEACHER MODEL #: NA-0524DLX_CL	
DRAWING NUMBER:			AP.1	



NOTE: CONCRETE PAD DOES NOT INCLUDE WHEELCHAIR EGRESS IN FRONT OF BLEACHER. ADD 5'-3" IN OVERALL DEPTH TO ACCOMMODATE WHEELCHAIRS.

CONCRETE FOUNDATION SPECIFICATIONS

SCOPE:

Foundation construction is not part of National Recreation Systems, Inc.'s (NRS) scope of work unless noted otherwise in the contract documents. The owner shall review the foundation design with the local code authorities, and coordinate with NRS.

FOUNDATION DESIGN & ANCHORS:

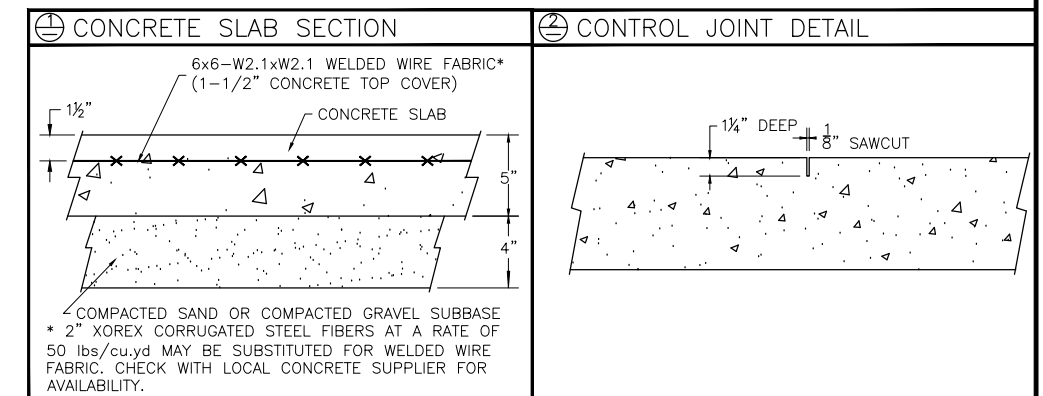
- 1) The foundation designs are based on the following:
 - a. Minimum presumed soil bearing 1000 psf.
 - b. Bleacher frame dead and live load 700 lbs./ft.
 - c. Bleacher frame wind uplift load 250 lbs./ft.
- 2) Unless otherwise noted on the drawings the bleacher frames shall be attached to the concrete with 3/8" dia. x 3" wedge type expansion anchors. The anchors shall be embedded a minimum of 2" into the concrete.

CONCRETE SPECIFICATIONS:

- 1) All concrete construction shall be in accordance with *ACI 318-08*.
- 2) All concrete shall have a minimum 28-day strength of $F_c=3000$ psi.
- 3) A 1/4" bituminous expansion joint material shall be placed between strip and slab foundations when adjacent to each other.
- 4) The depressions in the top of the foundations between high spots shall not exceed 5/16" below a 10-foot long straightedge. The 10-foot straightedge method used to measure foundation flatness shall be in accordance with Section of ACI 302.1R-04 "Guide for Concrete Floor and Slab Construction".

CONCRETE SLAB SPECIFICATIONS:

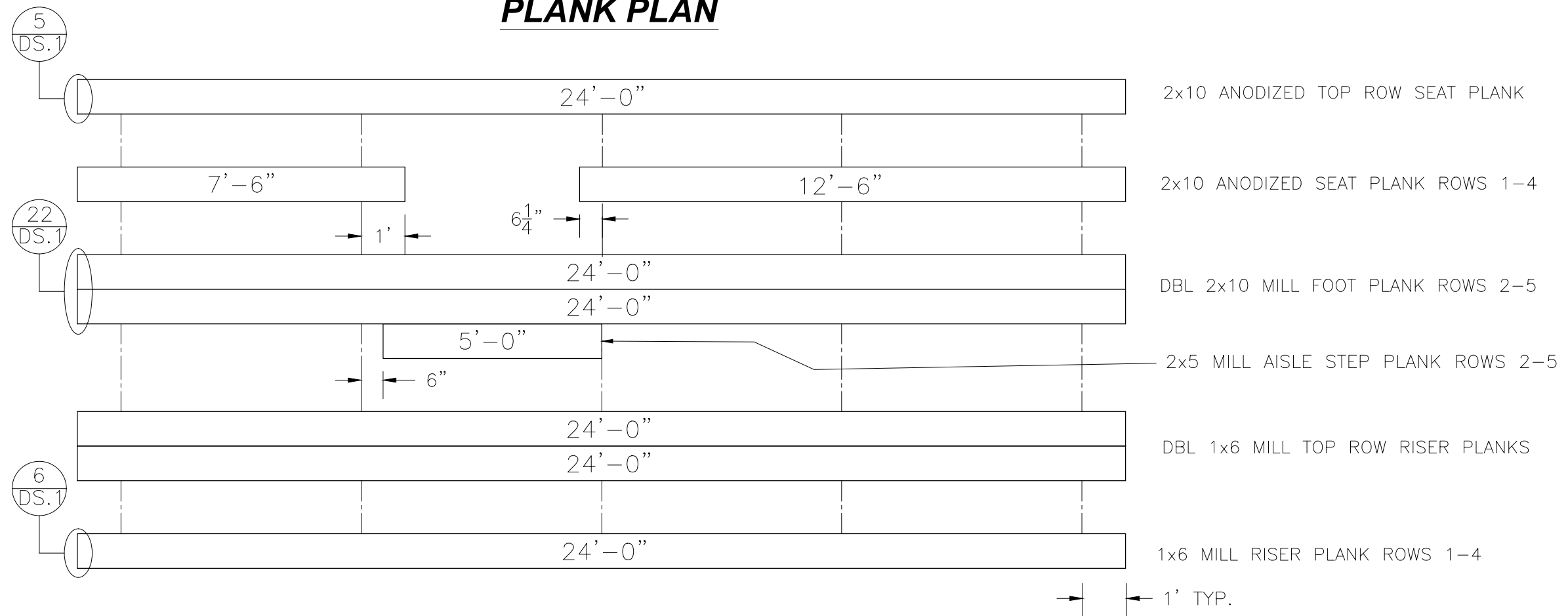
- 1) Concrete slab shall have a minimum thickness of 5" (NRS, Inc. recommends, and some areas may require 6" thickness) and placed on 4" of compacted gravel or compacted sand sub-base.
- 2) NRS, Inc. recommends that the concrete slab be reinforced with 6x6-W2.1xW2.1 welded wire fabric at 1 1/2" concrete cover from the top. In lieu of welded wire fabric, 2" XOREX by Ribbon Technology Corporation or equal corrugated steel fibers applied at a rate of 50-lbs./Cubic Yard may be used. Nylon or polypropylene fiber are not recommended.
- 3) Crack control joints shall be sawed into slab to form approximate square patterns. The maximum spacing for control joints shall not exceed 12'-6", unless shown otherwise on this drawing. The bleacher frames shall not be set on control joints. The designer shall contact NRS to coordinate joint spacing requirements with the specific bleacher design.
- 4) The slab may be sloped a maximum of 1/8 inch per foot for drainage. The maximum overall out of level slope for the slab perpendicular to the seats (front to rear) shall not exceed 2" and parallel to the seats (end to end) shall not exceed 4".



This drawing and all information contained herein is the property of NATIONAL RECREATION SYSTEMS, INC. and is not to be reproduced without express written permission of this manufacturer. We assume no responsibility for unauthorized use of this drawing. National Recreation Systems, Inc. is not responsible for local permits and occupancy requirements.

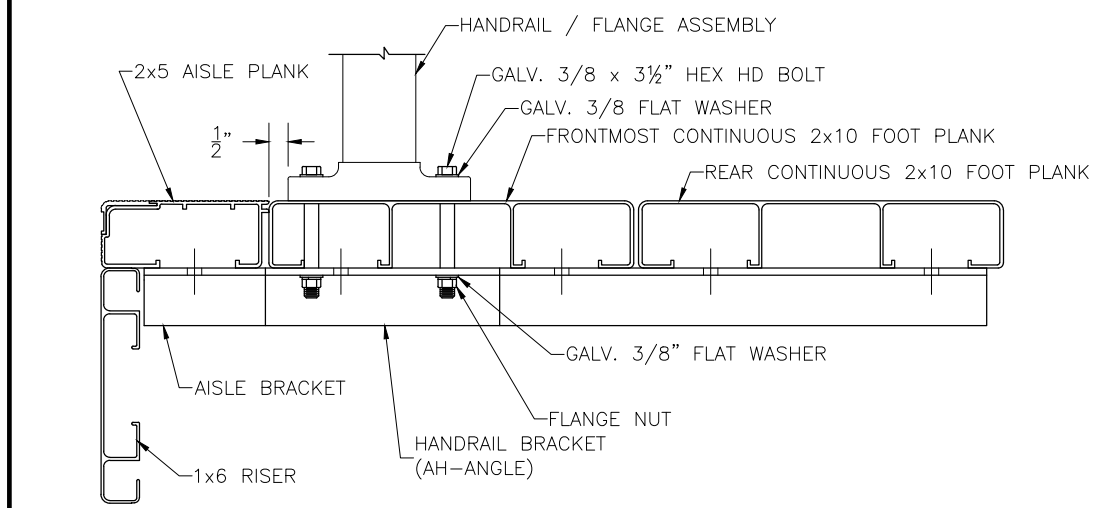
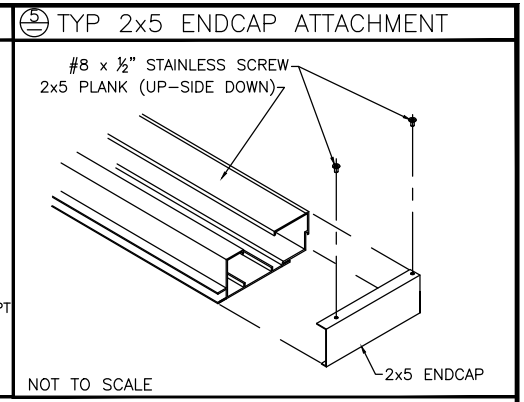
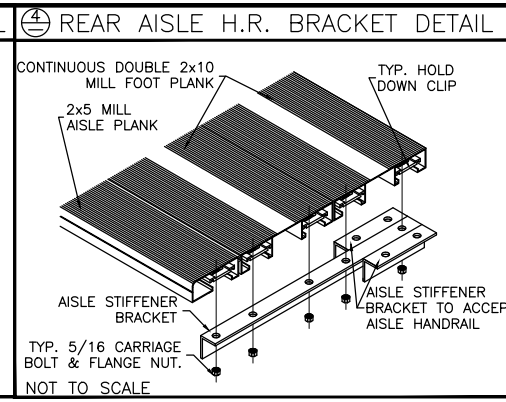
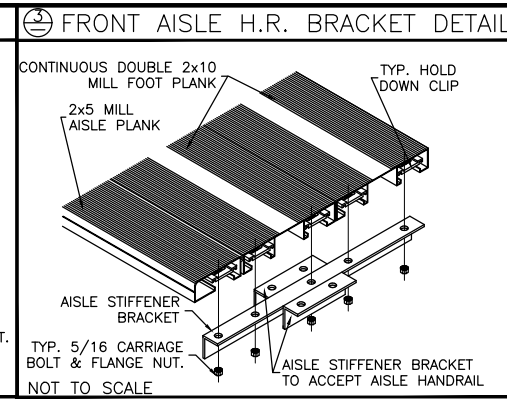
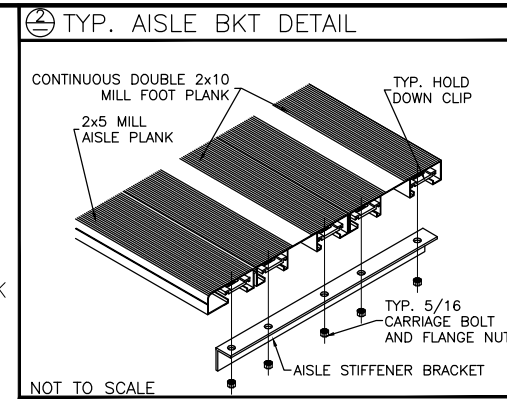
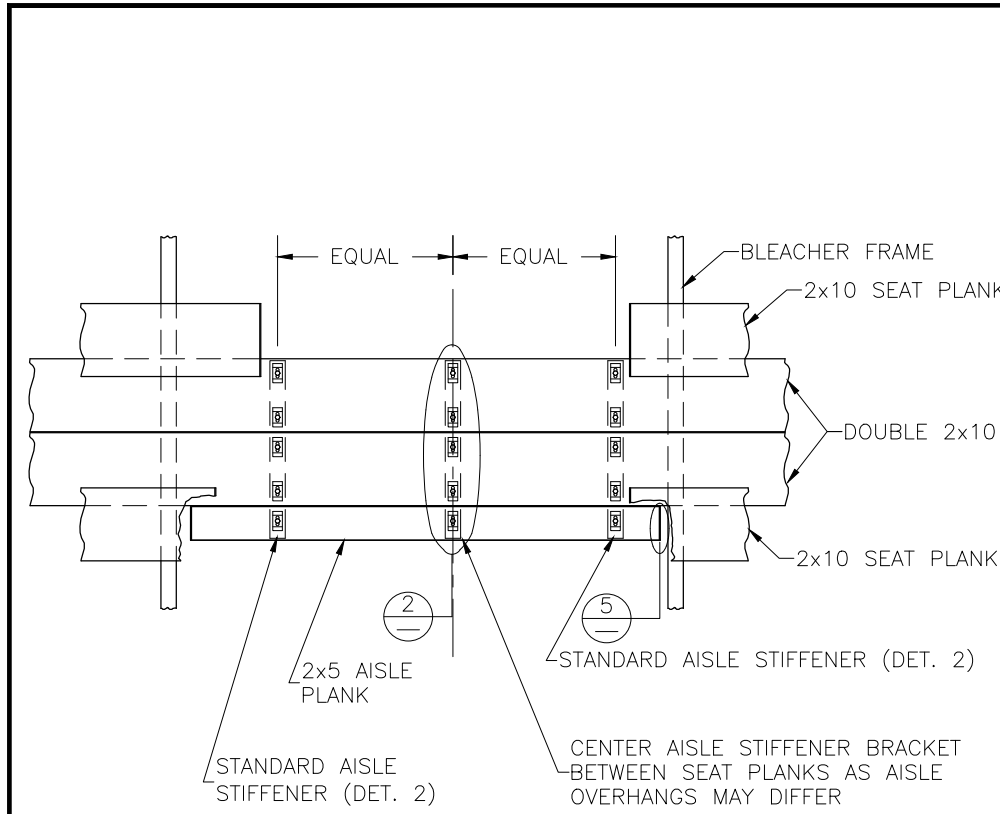
National Recreation Systems, Inc.		
1300-D NORTH AIRPORT OFFICE PARK FORT WAYNE, IN 46825		
SCALE: N.T.S.	APPROVED BY:	DRAWN BY: JML
DATE: 07/22/2016		
TITLE: FOUNDATION		
BLEACHER MODEL #: NA-0524DLX_CL		DRAWING NUMBER: FP.1

PLANK PLAN

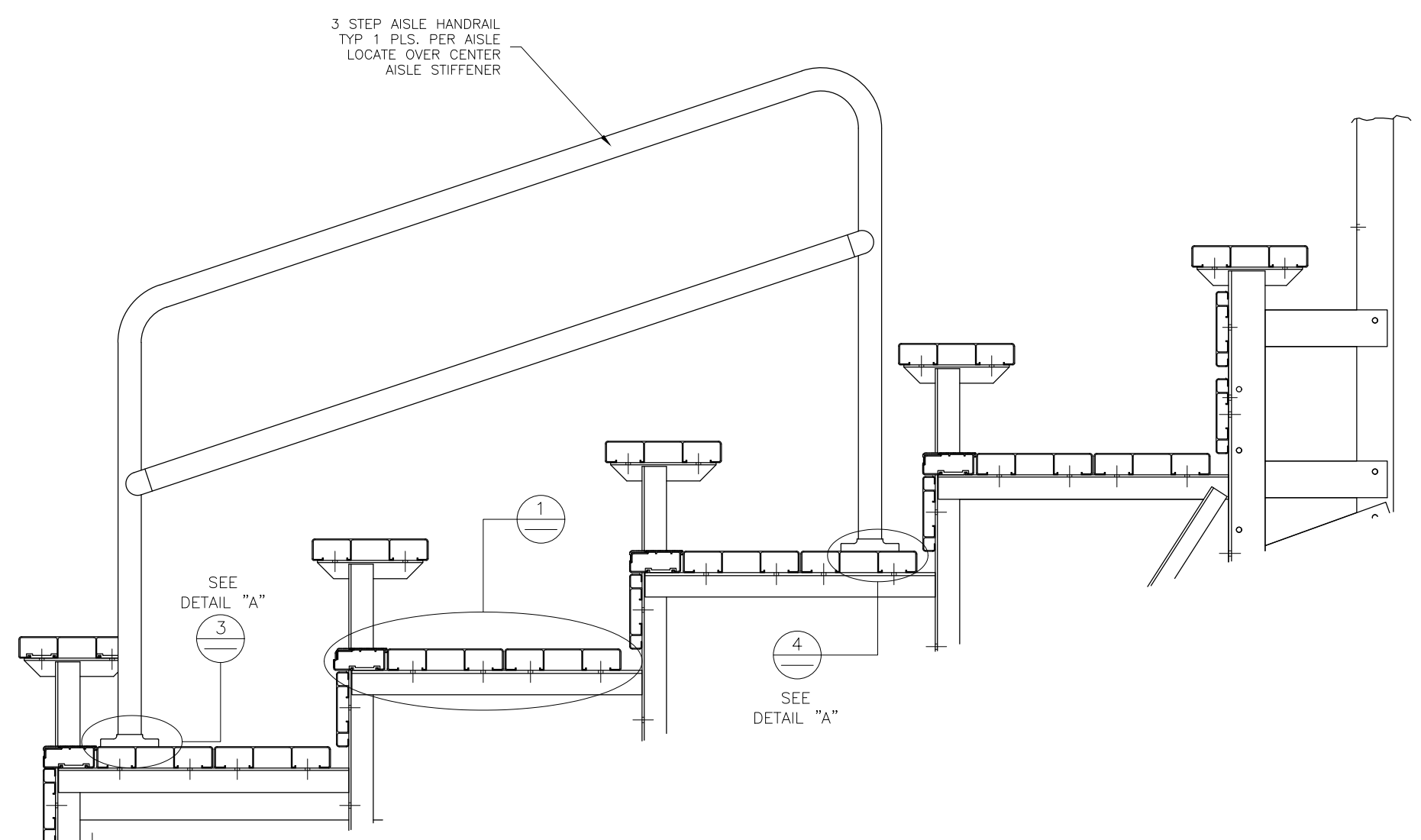


This drawing and all information contained herein is the property of NATIONAL RECREATION SYSTEMS, INC. and is not to be reproduced without express written permission of this manufacturer. We assume no responsibility for unauthorized use of this drawing. National Recreation Systems, Inc. is not responsible for local permits and occupancy requirements.

National Recreation Systems, Inc.		
1300-D NORTH AIRPORT OFFICE PARK FORT WAYNE, IN 46825		
SCALE: N.T.S.	APPROVED BY:	DRAWN BY: JML
DATE: 07/22/2016		
TITLE: NON ELEVATED 5 ROW x 24'-0" PLANK & FRAMING PLAN		
BLEACHER MODEL #: NA-0524DLX_CL	DRAWING NUMBER: PF.1	



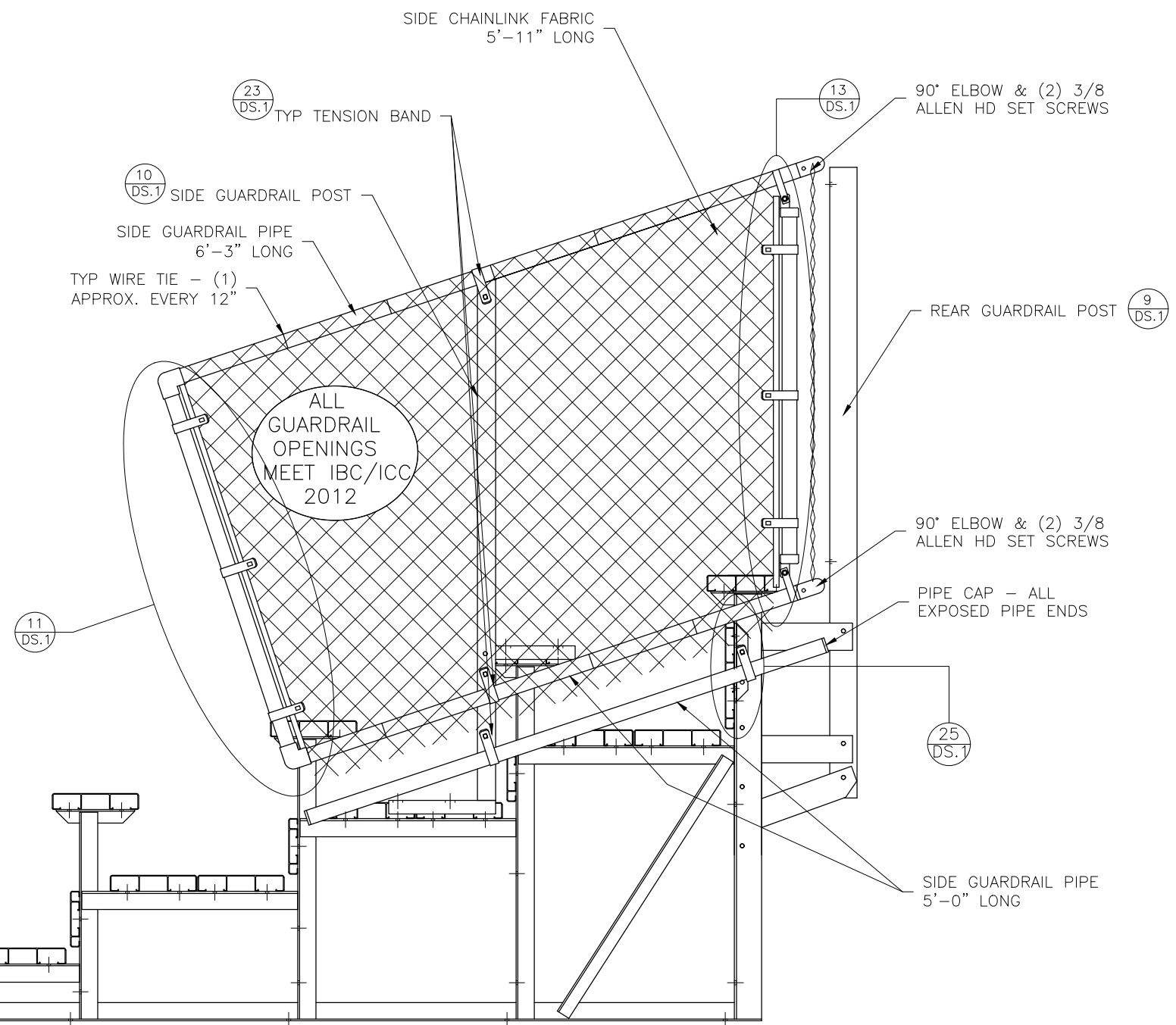
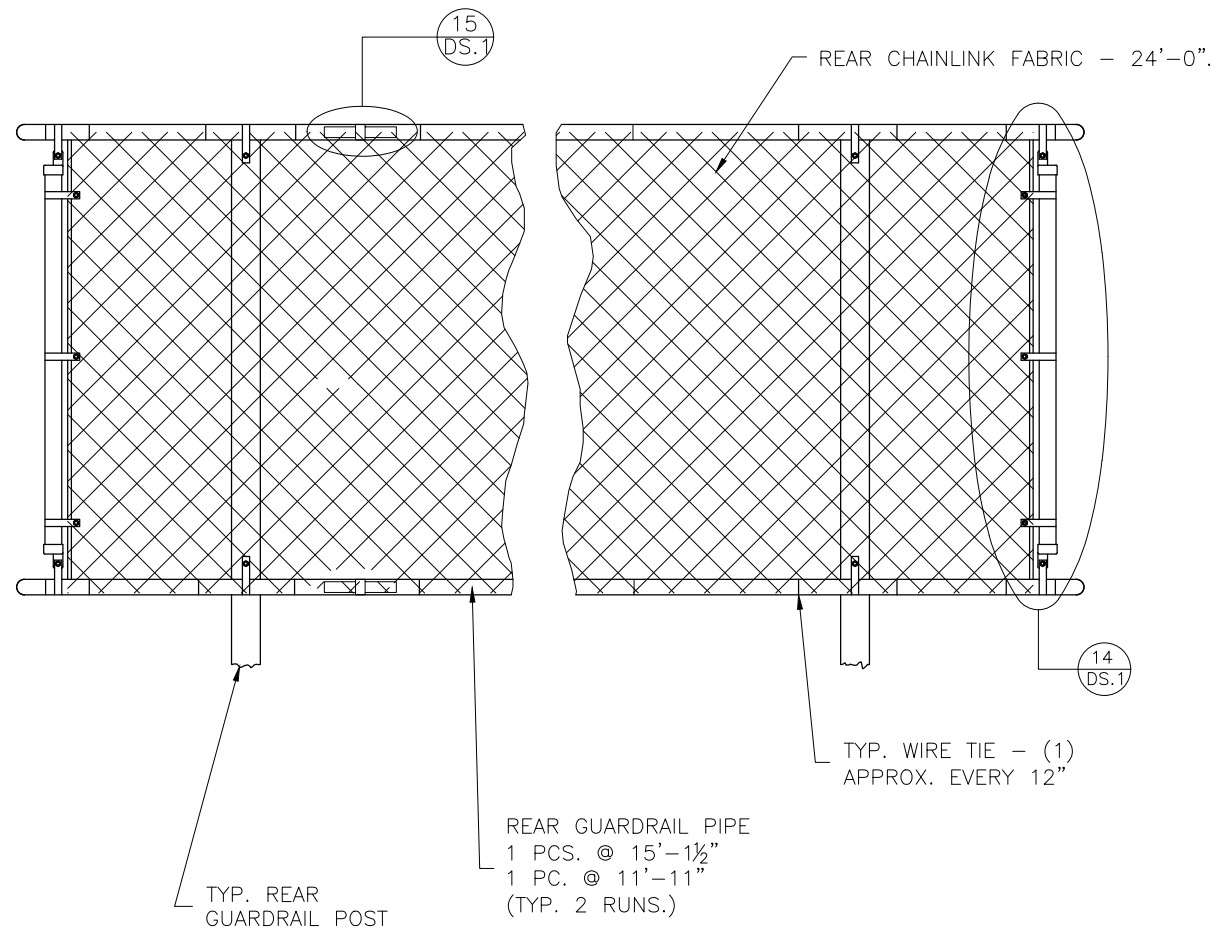
ALIGN EDGE OF FLANGE APPROX. 1/2" FROM THE LEADING EDGE OF THE FRONT MOST CONTINUOUS 2x10 FOOT PLANK (NOT THE 2x5 AISLE STEP PLANK). SLIGHTLY ADJUST FLANGE LOCATION, IF NECESSARY, SO THAT THE BOLT HOLE IS NOT DRILLED INTO A VERTICAL LEG OF THE PLANK. DRILL $\phi 7/16$ " HOLES (FOR 3/8" BOLT). ASSEMBLE AS SHOWN USING GALV. STEEL BOLTS, FLAT WASHERS & FLANGE NUTS.



This drawing and all information contained herein is the property of NATIONAL RECREATION SYSTEMS, INC. and is not to be reproduced without express written permission of this manufacturer. We assume no responsibility for unauthorized use of this drawing. National Recreation Systems, Inc. is not responsible for local permits and occupancy requirements.

National Recreation Systems, Inc.
1300-D NORTH AIRPORT OFFICE PARK FORT WAYNE, IN 46825

SCALE: N.T.S.	APPROVED BY:	DRAWN BY: JML
DATE: 07/22/2016		
TITLE: NON ELEVATED 5 ROW x 24'-0" VERTICAL AISLE ASSEMBLY		
BLEACHER MODEL #: NA-0524DLX_CL	DRAWING NUMBER: VA.1	



This drawing and all information contained herein is the property of NATIONAL RECREATION SYSTEMS, INC. and is not to be reproduced without express written permission of this manufacturer. We assume no responsibility for unauthorized use of this drawing. National Recreation Systems, Inc. is not responsible for local permits and occupancy requirements.

National Recreation Systems, Inc.
 1300-D NORTH AIRPORT OFFICE PARK FORT WAYNE, IN 46825

SCALE: N.T.S.	APPROVED BY:	DRAWN BY: JML
DATE: 07/22/2016		
TITLE: NON ELEVATED 5 ROW x 24'-0" GUARD RAIL ASSEMBLY		
BLEACHER MODEL #: NA-0524DLX_CL	DRAWING NUMBER: GR.1	

<p>⊕ TYP X-BRACE CONN. W/ 1/4" BOLT</p> <p>NOT TO SCALE</p>	<p>⊕ TYP X-BRACE CONN. w/3" BOLT</p> <p>NOT TO SCALE</p>	<p>⊕ TYP 2x10 PLANK ATTACHMENT</p> <p>NOT TO SCALE</p>	<p>⊕ TYP 1x6 PLANK ATTACHMENT</p> <p>NOT TO SCALE</p>	<p>⊕ TYP 2x10 ENDCAP ATTACHMENT</p> <p>NOT TO SCALE</p>	<p>⊕ TYP 1x6 ENDCAP ATTACHMENT</p> <p>NOT TO SCALE</p>												
<p>⊕ TYP 2x10 SPLICE CONN.</p> <p>NOT TO SCALE</p>	<p>⊕ TYP 1x6 SPLICE CONN.</p> <p>NOT TO SCALE</p>	<p>⊕ REAR GUARDRAIL POST ATTACH.</p>	<p>⊕ SIDE GD. RAIL POST INSTALLATION</p>	<p>⊕ VERT. PIPE DETAIL (NE-SIDE,BOTT.)</p> <p>NOT TO SCALE</p>	<p>⊕ VERT. PIPE DET.-ELEV, SIDE, BOT.</p> <p>NOT TO SCALE</p>												
<p>⊕ VERT. PIPE DETAIL (SIDE, TOP)</p> <p>NOT TO SCALE</p>	<p>⊕ VERT. PIPE DETAIL-REAR, TOP</p> <p>NOT TO SCALE</p>	<p>⊕ PIPE COUPLER INSTALLATION</p> <p>NOT TO SCALE</p>	<p>⊕ VERT. PIPE DETAIL (FRNT.END)</p> <p>NOT TO SCALE</p>	<p>⊕ FINGER MOUNT DETAIL</p> <p>NOT TO SCALE</p>	<p>⊕ RB-210/BOLT DETAIL</p> <p>NOT TO SCALE</p>												
<p>⊕ VERTICAL PIPE DETAIL (REAR)</p> <p>NOT TO SCALE</p>	<p>⊕ VERT. PIPE DETAIL (FRNT.END)</p> <p>NOT TO SCALE</p>	<p>⊕ VERT. PIPE DET.- SIDE TOP</p> <p>NOT TO SCALE</p>	<p>⊕ DBL. 2x10 ENDCAP ATTACHMENT</p> <p>NOT TO SCALE</p>	<p>⊕ TENSION BAND ATTACHMENT</p> <p>NOT TO SCALE</p>	<p>⊕ TYP X-BRACE CONN. W/ 1/4 BOLT</p> <p>NOT TO SCALE</p>												
<p>⊕ LOWER PIPE BRACKET ATTACH.</p> <p>NOT TO SCALE</p>	<div style="display: flex; justify-content: space-between;"> <div data-bbox="1672 1669 2128 1870" style="width: 45%;"> <p>This drawing and all information contained herein is the property of NATIONAL RECREATION SYSTEMS, INC. and is not to be reproduced without express written permission of this manufacturer. We assume no responsibility for unauthorized use of this drawing. National Recreation Systems, Inc. is not responsible for local permits and occupancy requirements.</p> </div> <div data-bbox="2128 1669 3011 1909" style="width: 50%; border: 1px solid black; padding: 5px;"> <p style="text-align: center;">National Recreation Systems, Inc. 1300-D NORTH AIRPORT OFFICE PARK FORT WAYNE, IN 46825</p> <table border="1" style="width: 100%; border-collapse: collapse;"> <tr> <td style="width: 33%;">SCALE: N.T.S.</td> <td style="width: 33%;">APPROVED BY:</td> <td style="width: 33%;">DRAWN BY: JML</td> </tr> <tr> <td>DATE: 07/22/2016</td> <td colspan="2"></td> </tr> <tr> <td colspan="3" style="text-align: center;">TITLE: DETAIL SHEETS</td> </tr> <tr> <td>BLEACHER MODEL #: NA-0524DLX_CL</td> <td colspan="2">DRAWING NUMBER: DS.1</td> </tr> </table> </div> </div>					SCALE: N.T.S.	APPROVED BY:	DRAWN BY: JML	DATE: 07/22/2016			TITLE: DETAIL SHEETS			BLEACHER MODEL #: NA-0524DLX_CL	DRAWING NUMBER: DS.1	
SCALE: N.T.S.	APPROVED BY:	DRAWN BY: JML															
DATE: 07/22/2016																	
TITLE: DETAIL SHEETS																	
BLEACHER MODEL #: NA-0524DLX_CL	DRAWING NUMBER: DS.1																