

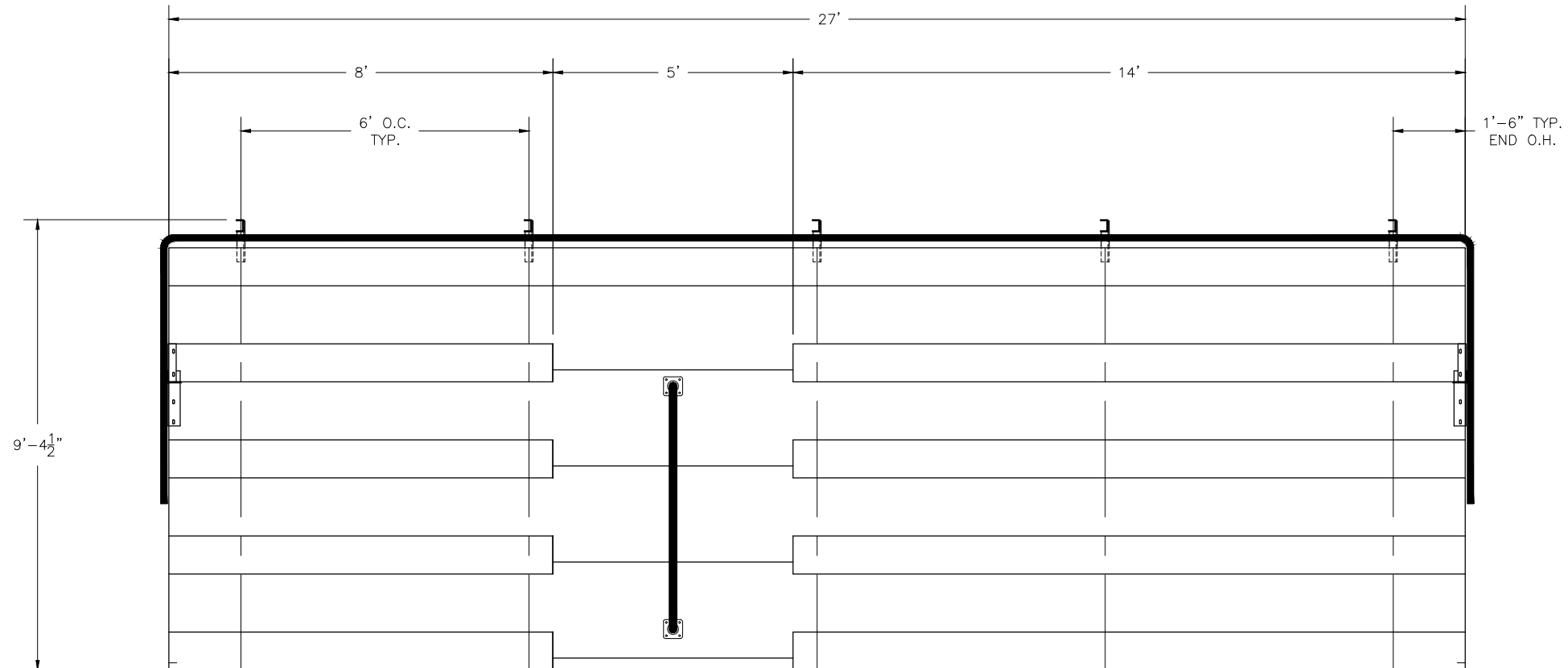
***NA-0527DLX\_CL***

***NON ELEVATED 5 ROW x 27'-0" BLEACHER***

**National Recreation Systems, Inc.**

**1300-D AIRPORT NORTH OFFICE PARK FORT WAYNE, IN 46825**

CS.1	- COVER SHEET
TD.1	- BLEACHER SEATING PLAN
FP.1	- FOUNDATION PLAN
BA.1	- BLEACHER FRAMING & CLIP PRE-ASSEMBLY
BA.2	- BLEACHER BRACING LOCATION PLAN
BA.3	- BLEACHER ASSEMBLY
AP.1	- ANCHORING PLAN
PF.1	- PLANK & FRAMING PLAN
VA.1	- VERTICAL AISLE ASSEMBLY
GR.1	- GUARDRAIL ASSEMBLY



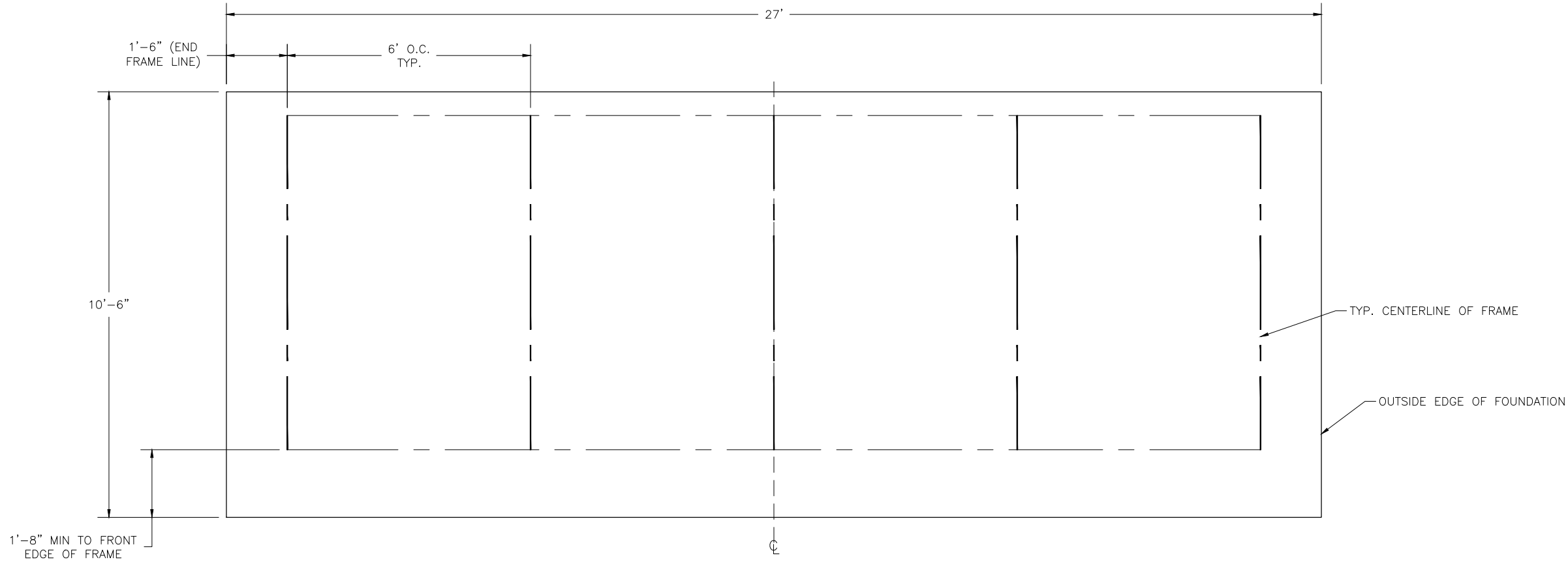
SECTION LENGTH	GROSS SEATS	ACTUAL SEATS	NO. OF ROWS	NET SEATS
27	18.00	18.00	1	18
8	5.33	5.00	4	20
14	9.33	9.00	4	36
<b>NET SEATS</b>				<b>74</b>
<b>WHEELCHAIR SPACES</b>				<b>0</b>
<b>TOTAL NET SEATING CAPACITY</b>				<b>74</b>
<b>(BASED ON 18" PER SEAT)</b>				

This drawing and all information contained herein is the property of NATIONAL RECREATION SYSTEMS, INC. and is not to be reproduced without express written permission of this manufacturer. We assume no responsibility for unauthorized use of this drawing. National Recreation Systems, Inc. is not responsible for local permits and occupancy requirements.

**National Recreation Systems, Inc.**  
**1300-D AIRPORT NORTH OFFICE PARK FORT WAYNE, IN 46825**

SCALE: N.T.S.	APPROVED BY:	DRAWN BY: IMP
DATE: 12/27/16		
TITLE: 5 ROW X 27'-0" BLEACHER SEATING PLAN		
BLEACHER MODEL #: NA-0527DLX_CL	DRAWING NUMBER: TD.1	

LOCATE FRAMES ON FOUNDATION



\* MINIMUM FOUNDATION AREA SHOWN. DEPENDING ON LOCAL SOIL CONDITIONS, BLEACHER CAN BE INSTALLED ON A CONCRETE PAD OR FOOTERS, OR ATTACHED TO 2x6 TREATED LUMBER GROUND SILLS AND PLACED ON COMPACTED STONE, ASPHALT, OR ANY OTHER SMOOTH, SOLID, LEVEL SURFACE. CONSULT YOUR LOCAL CONCRETE CONTRACTOR TO DETERMINE PROPER CONCRETE SPECIFICATIONS FOR YOUR LOCAL SOIL AND WEATHER-RELATED CONDITIONS. THE BEARING SURFACE MUST BE CAPABLE OF SUPPORTING A MINIMUM OF 660 POUNDS PER LINEAR FOOT. TO MEET LOCAL CODES, BLEACHERS WILL NEED TO BE ANCHORED. ANCHORING SYSTEMS FOR ALL SURFACE TYPES ARE AVAILABLE - CONTACT YOUR BLEACHER SALES REPRESENTATIVE FOR MORE INFORMATION.

This drawing and all information contained herein is the property of NATIONAL RECREATION SYSTEMS, INC. and is not to be reproduced without express written permission of this manufacturer. We assume no responsibility for unauthorized use of this drawing. National Recreation Systems, Inc. is not responsible for local permits and occupancy requirements.

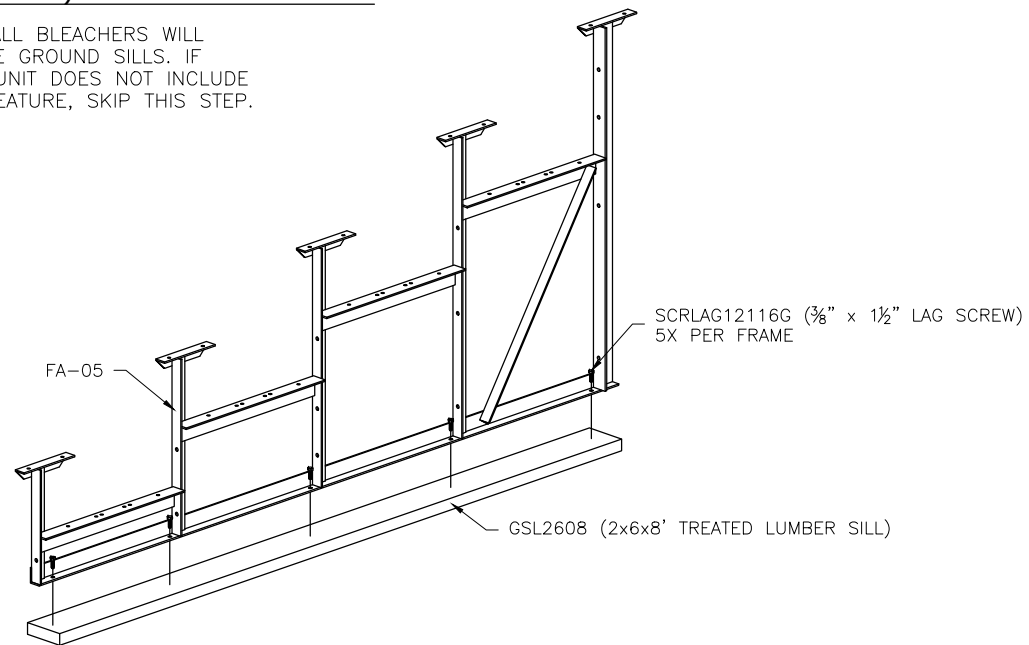
**National Recreation Systems, Inc.**

**1300-D AIRPORT NORTH OFFICE PARK FORT WAYNE, IN 46825**

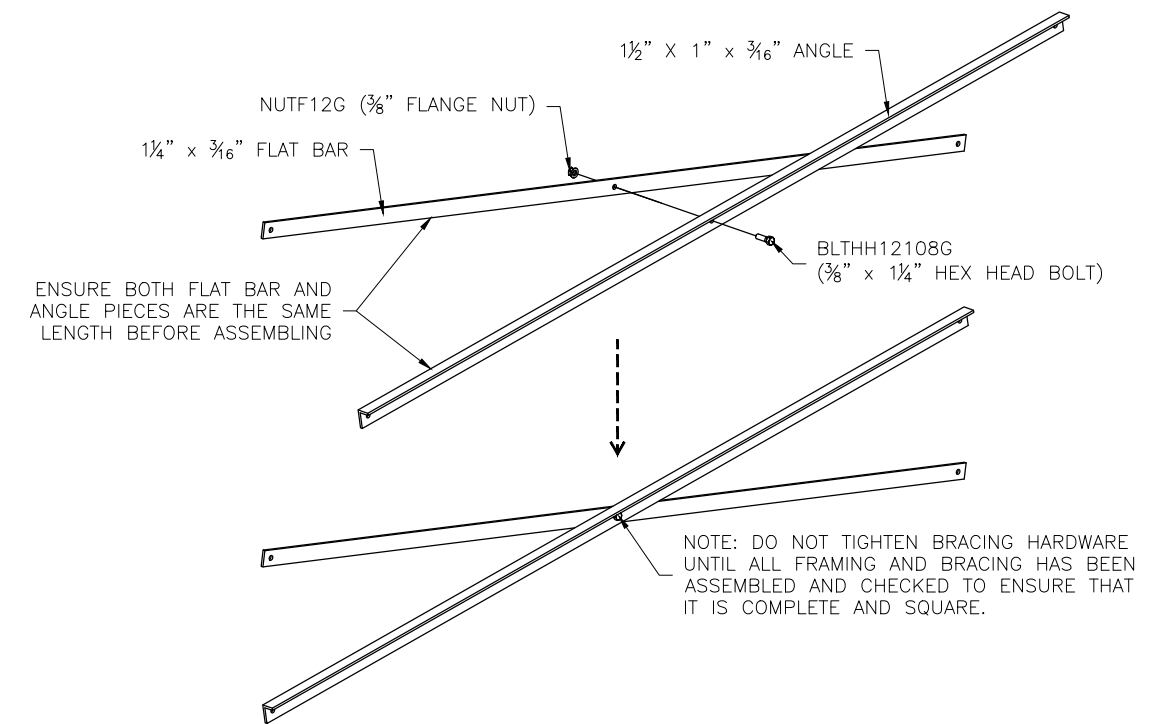
SCALE: N.T.S.	APPROVED BY:	DRAWN BY: IMP
DATE: 12/27/16		
TITLE: 5 ROW 27'-0" FOUNDATION PLAN		
BLEACHER MODEL #: NA-0527DLX_CL	DRAWING NUMBER: FP.1	

**(OPTIONAL) ATTACH GROUND SILLS \***

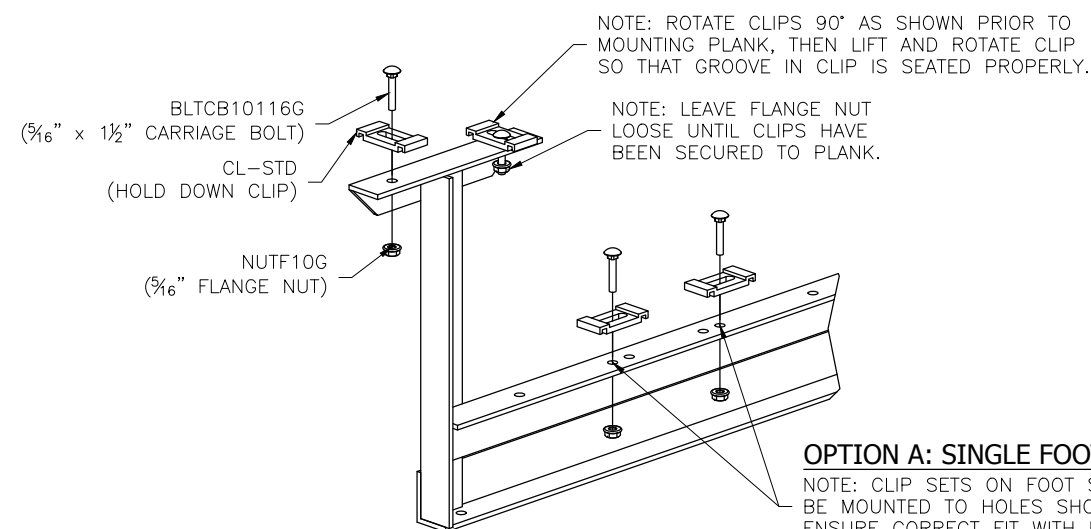
\*NOT ALL BLEACHERS WILL RECEIVE GROUND SILLS. IF YOUR UNIT DOES NOT INCLUDE THIS FEATURE, SKIP THIS STEP.



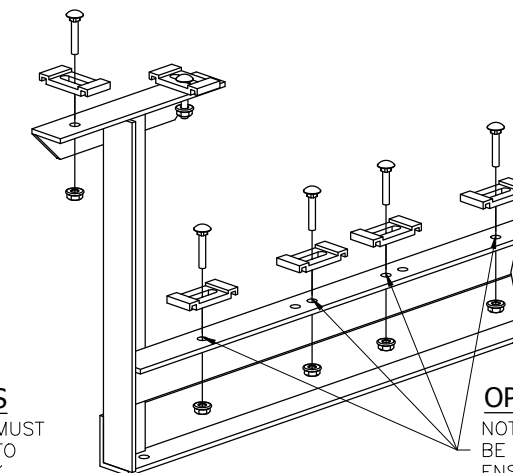
**PRE-ASSEMBLE X-BRACE PAIR(S)**



**ONCE FRAMING IS COMPLETE, PRE-ASSEMBLE CLIP SETS ON BLEACHER FRAMES**

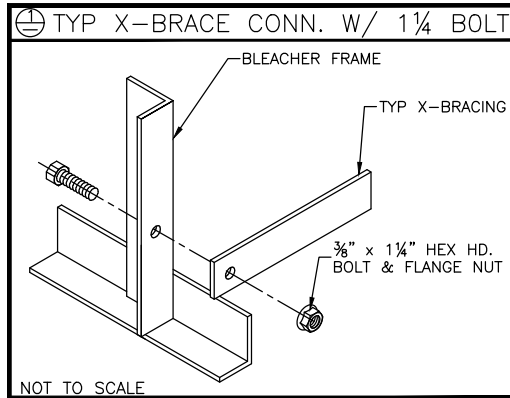


**OPTION A: SINGLE FOOT BOARDS**  
 NOTE: CLIP SETS ON FOOT SUPPORTS MUST BE MOUNTED TO HOLES SHOWN HERE TO ENSURE CORRECT FIT WITH FOOT PLANK.

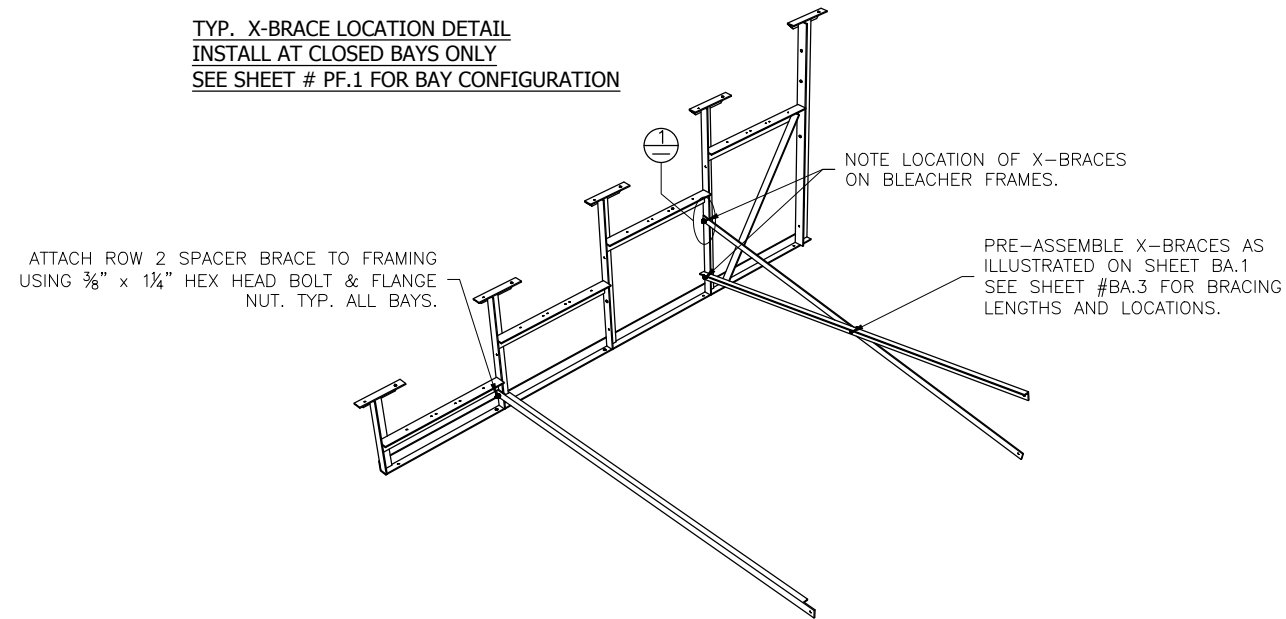


**OPTION B: DOUBLE FOOT BOARDS**  
 NOTE: CLIP SETS ON FOOT SUPPORTS MUST BE MOUNTED TO HOLES SHOWN HERE TO ENSURE CORRECT FIT WITH FOOT PLANK.

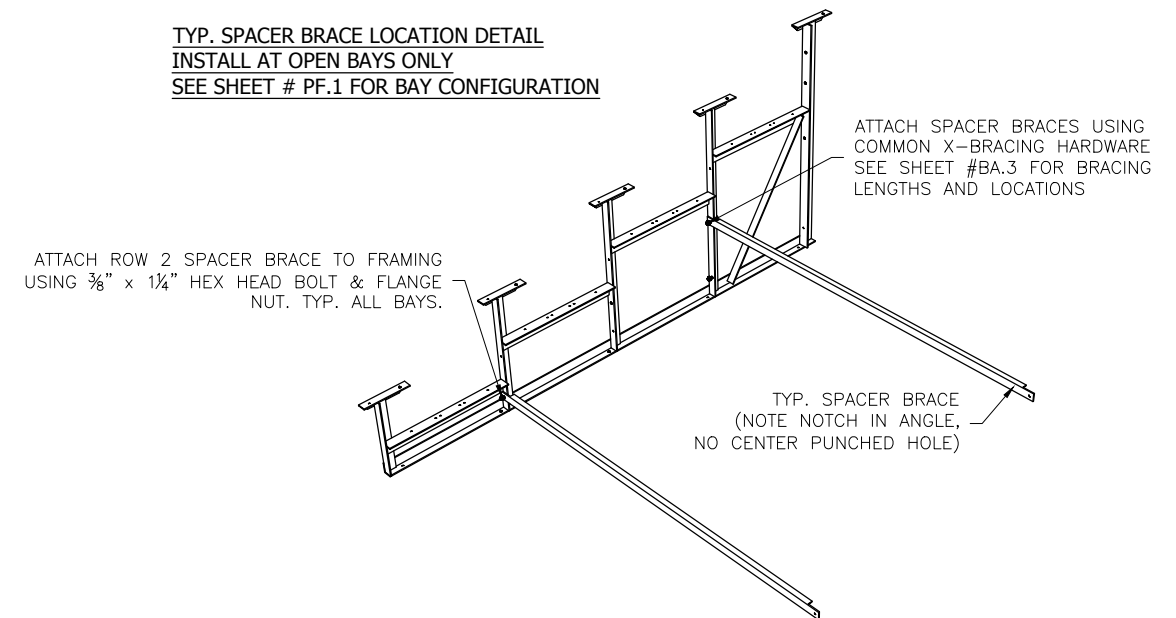
This drawing and all information contained herein is the property of NATIONAL RECREATION SYSTEMS, INC. and is not to be reproduced without express written permission of this manufacturer. We assume no responsibility for unauthorized use of this drawing. National Recreation Systems, Inc. is not responsible for local permits and occupancy requirements.		
<b>National Recreation Systems, Inc.</b> 1300-D AIRPORT NORTH OFFICE PARK FORT WAYNE, IN 46825		
SCALE: N.T.S.	APPROVED BY:	DRAWN BY: IMP
DATE: 12/27/16		
TITLE: 5 ROW X 27'-0" FRAMING & CLIP SET PREPARATION		
BLEACHER MODEL #: NA-0527DLX_CL	DRAWING NUMBER: BA.1	



**TYP. X-BRACE LOCATION DETAIL**  
**INSTALL AT CLOSED BAYS ONLY**  
**SEE SHEET # PF.1 FOR BAY CONFIGURATION**



**TYP. SPACER BRACE LOCATION DETAIL**  
**INSTALL AT OPEN BAYS ONLY**  
**SEE SHEET # PF.1 FOR BAY CONFIGURATION**

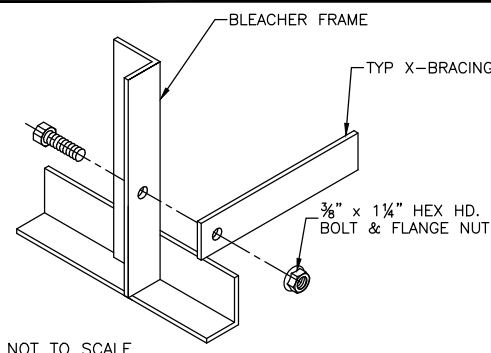


This drawing and all information contained herein is the property of NATIONAL RECREATION SYSTEMS, INC. and is not to be reproduced without express written permission of this manufacturer. We assume no responsibility for unauthorized use of this drawing. National Recreation Systems, Inc. is not responsible for local permits and occupancy requirements.

**National Recreation Systems, Inc.**  
**1300-D AIRPORT NORTH OFFICE PARK FORT WAYNE, IN 46825**

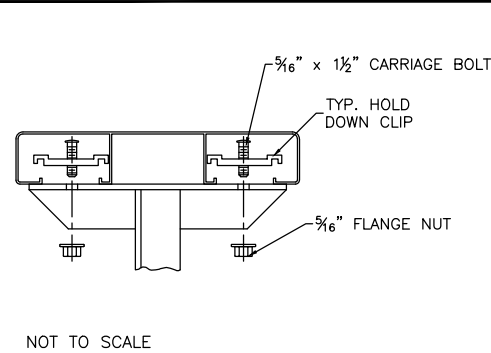
SCALE: N.T.S.	APPROVED BY:	DRAWN BY: IMP
DATE: 12/27/16		
TITLE: 5 ROW X 27'-0" BLEACHER BRACING LOCATION		
BLEACHER MODEL #: NA-0527DLX_CL	DRAWING NUMBER: BA.2	

⊕ TYP X-BRACE CONN. W/ 1/4 BOLT



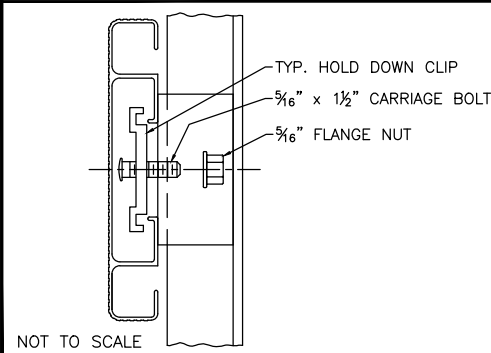
NOT TO SCALE

⊕ TYP 2x10 PLANK ATTACHMENT

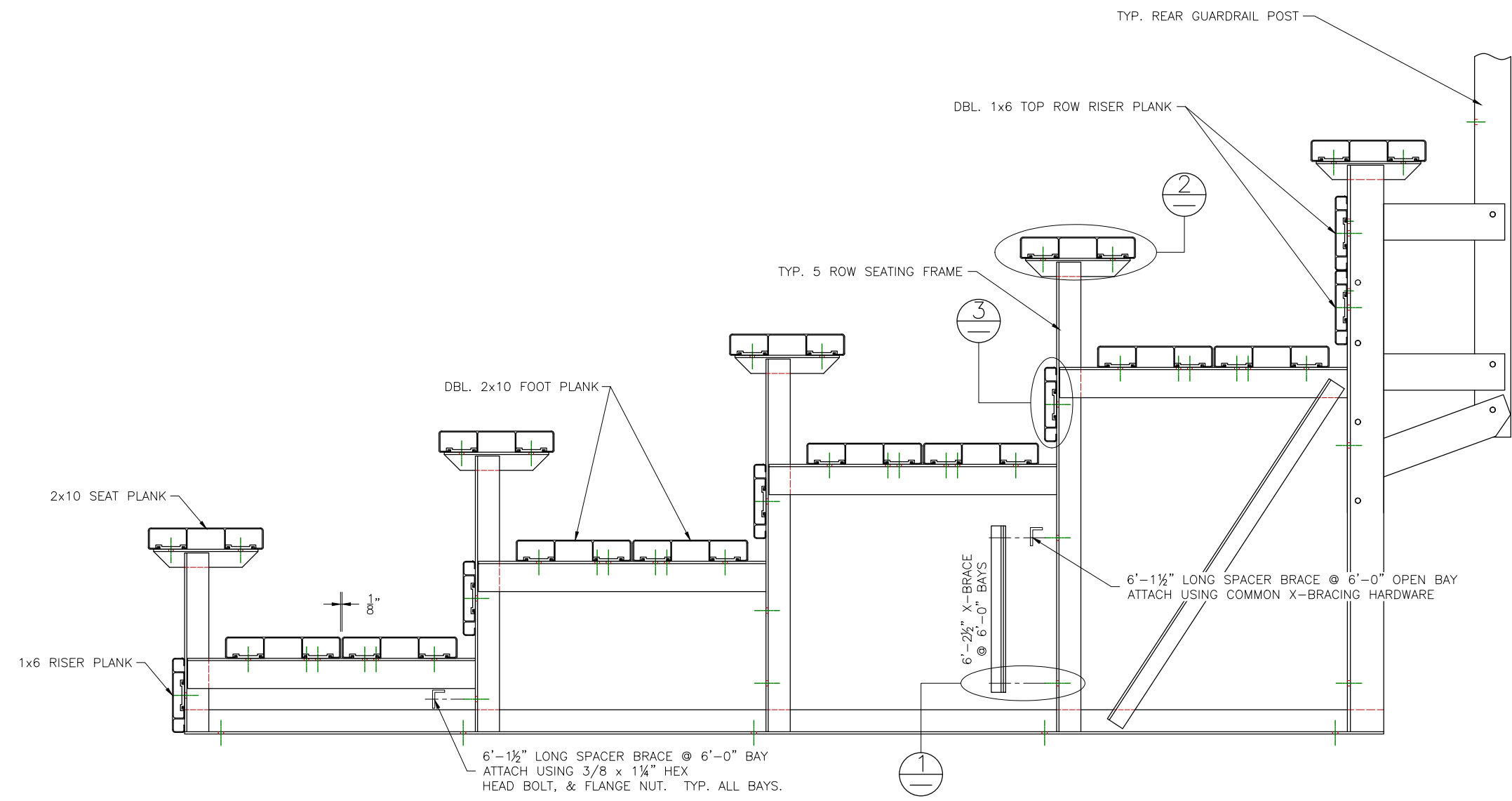


NOT TO SCALE

⊕ TYP 1x6 PLANK ATTACHMENT



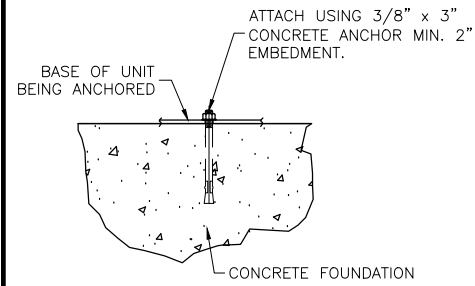
NOT TO SCALE



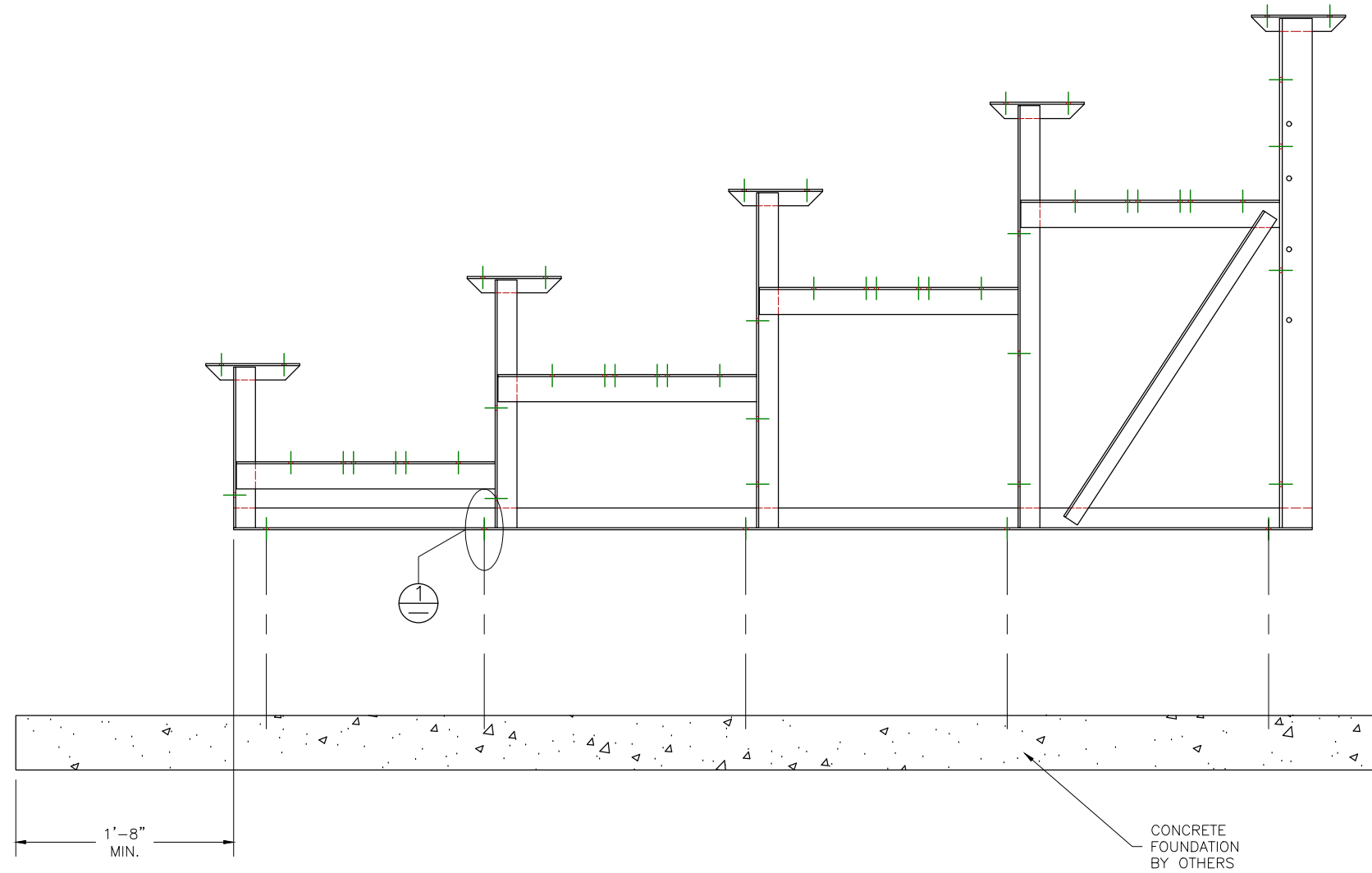
This drawing and all information contained herein is the property of NATIONAL RECREATION SYSTEMS, INC. and is not to be reproduced without express written permission of this manufacturer. We assume no responsibility for unauthorized use of this drawing. National Recreation Systems, Inc. is not responsible for local permits and occupancy requirements.

<b>National Recreation Systems, Inc.</b>		
1300-D AIRPORT NORTH OFFICE PARK FORT WAYNE, IN 46825		
SCALE: N.T.S.	APPROVED BY:	DRAWN BY: IMP
DATE: 12/27/16		
TITLE: 5 ROW X 27'-0" BLEACHER ASSEMBLY		
BLEACHER MODEL #: NA-0527DLX_CL	DRAWING NUMBER: BA.3	

⊕ WEDGE ANCHOR DETAIL - 3"



(OPTIONAL) ANCHOR BLEACHER TO CONCRETE FOUNDATION \*

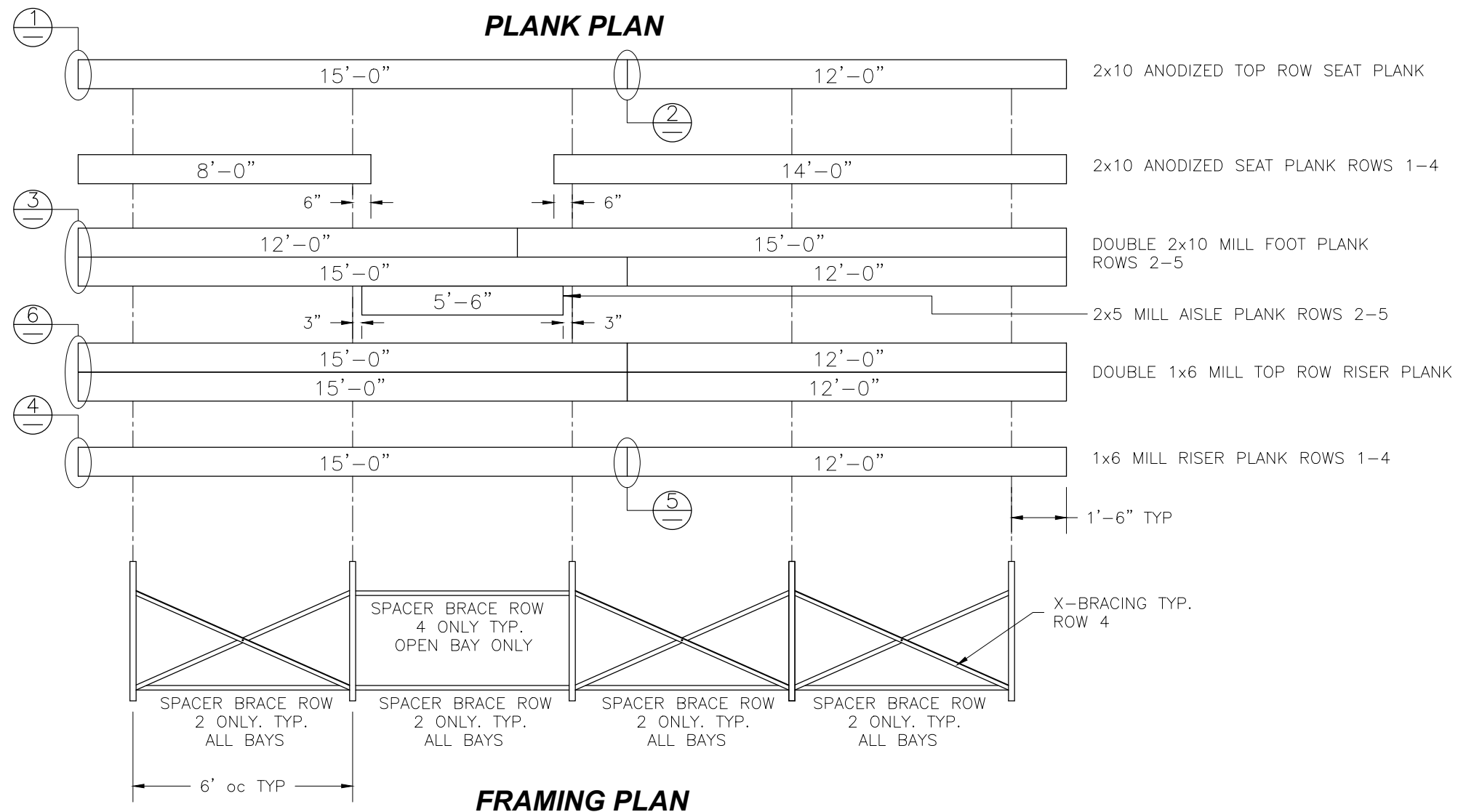
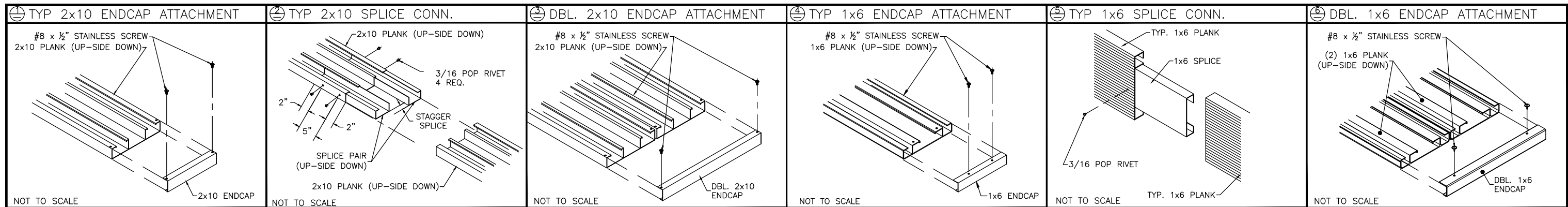


\* CONCRETE WEDGE ANCHORS NOT INCLUDED WITH ALL UNITS. IF USING OTHER ANCHORING SYSTEM, SKIP THIS STEP AND REFER TO INSTRUCTIONS SPECIFIC TO THE ANCHORING SYSTEM PURCHASED FOR YOUR UNIT. SEE PRINT FP.1 (INCLUDED IN THIS PACKET) FOR GENERAL CONCRETE FOUNDATION SPECIFICATIONS.

This drawing and all information contained herein is the property of NATIONAL RECREATION SYSTEMS, INC. and is not to be reproduced without express written permission of this manufacturer. We assume no responsibility for unauthorized use of this drawing. National Recreation Systems, Inc. is not responsible for local permits and occupancy requirements.

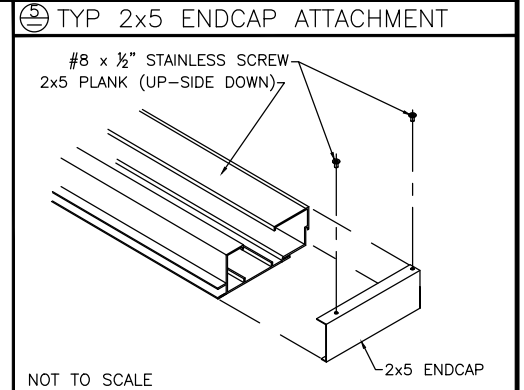
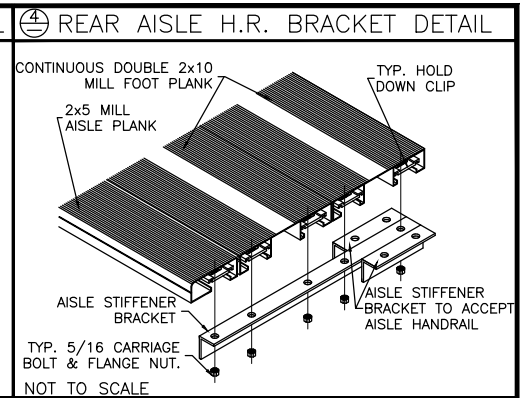
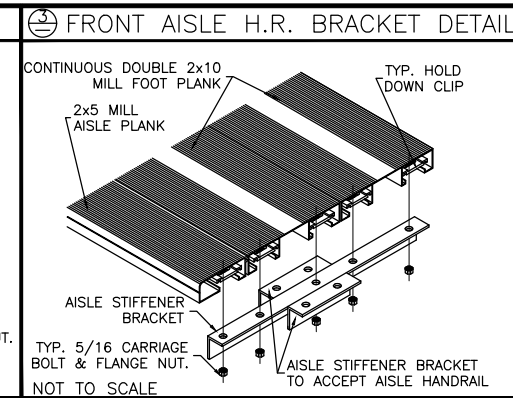
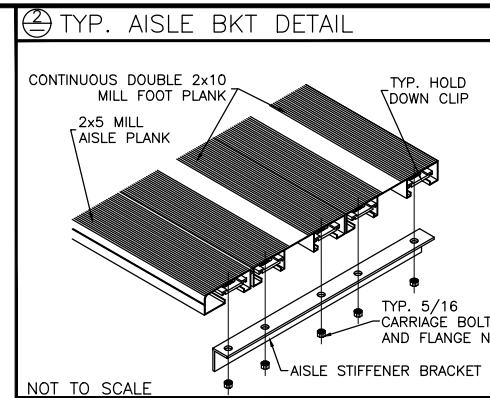
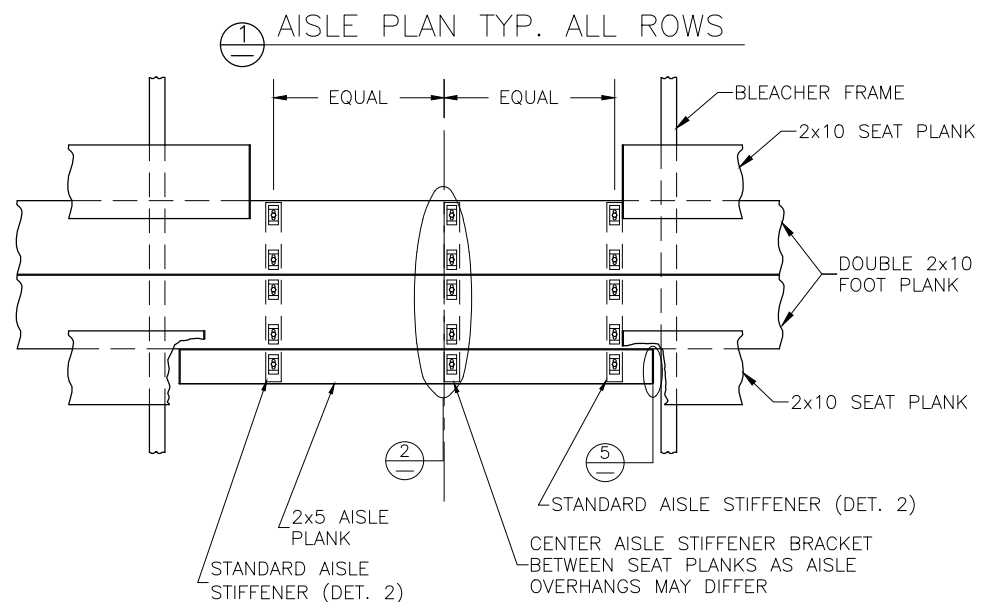
**National Recreation Systems, Inc.**  
**1300-D AIRPORT NORTH OFFICE PARK FORT WAYNE, IN 46825**

SCALE: N.T.S.	APPROVED BY:	DRAWN BY: IMP
DATE: 12/27/16		
TITLE: 5 ROW X 27'-0" ANCHORING PLAN		
BLEACHER MODEL #: NA-0527DLX_CL	DRAWING NUMBER: AP.1	



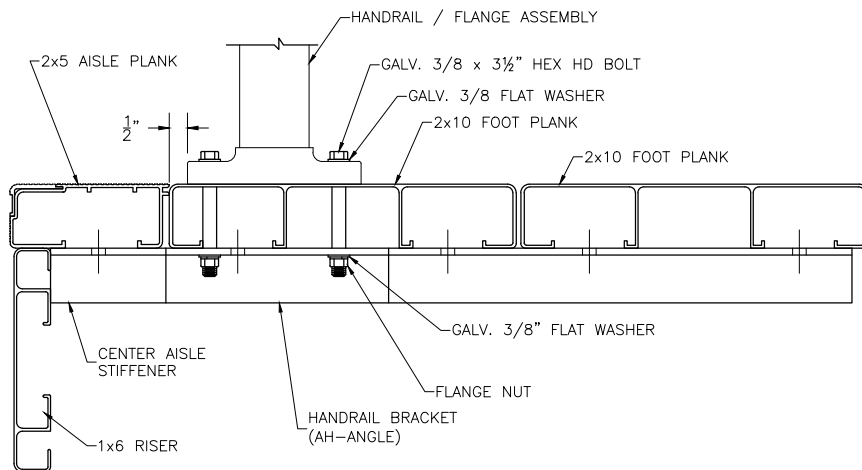
<p>This drawing and all information contained herein is the property of NATIONAL RECREATION SYSTEMS, INC. and is not to be reproduced without express written permission of this manufacturer. We assume no responsibility for unauthorized use of this drawing. National Recreation Systems, Inc. is not responsible for local permits and occupancy requirements.</p>			<p style="text-align: center;"><b>National Recreation Systems, Inc.</b> 1300-D AIRPORT NORTH OFFICE PARK FORT WAYNE, IN 46825</p>		
SCALE: N.T.S.	APPROVED BY:	DRAWN BY: IMP			
DATE: 12/27/16					
TITLE: 5 ROW 27'-0" PLANK & FRAMING PLAN					
BLEACHER MODEL #: NA-0527DLX_CL	DRAWING NUMBER: PF.1				



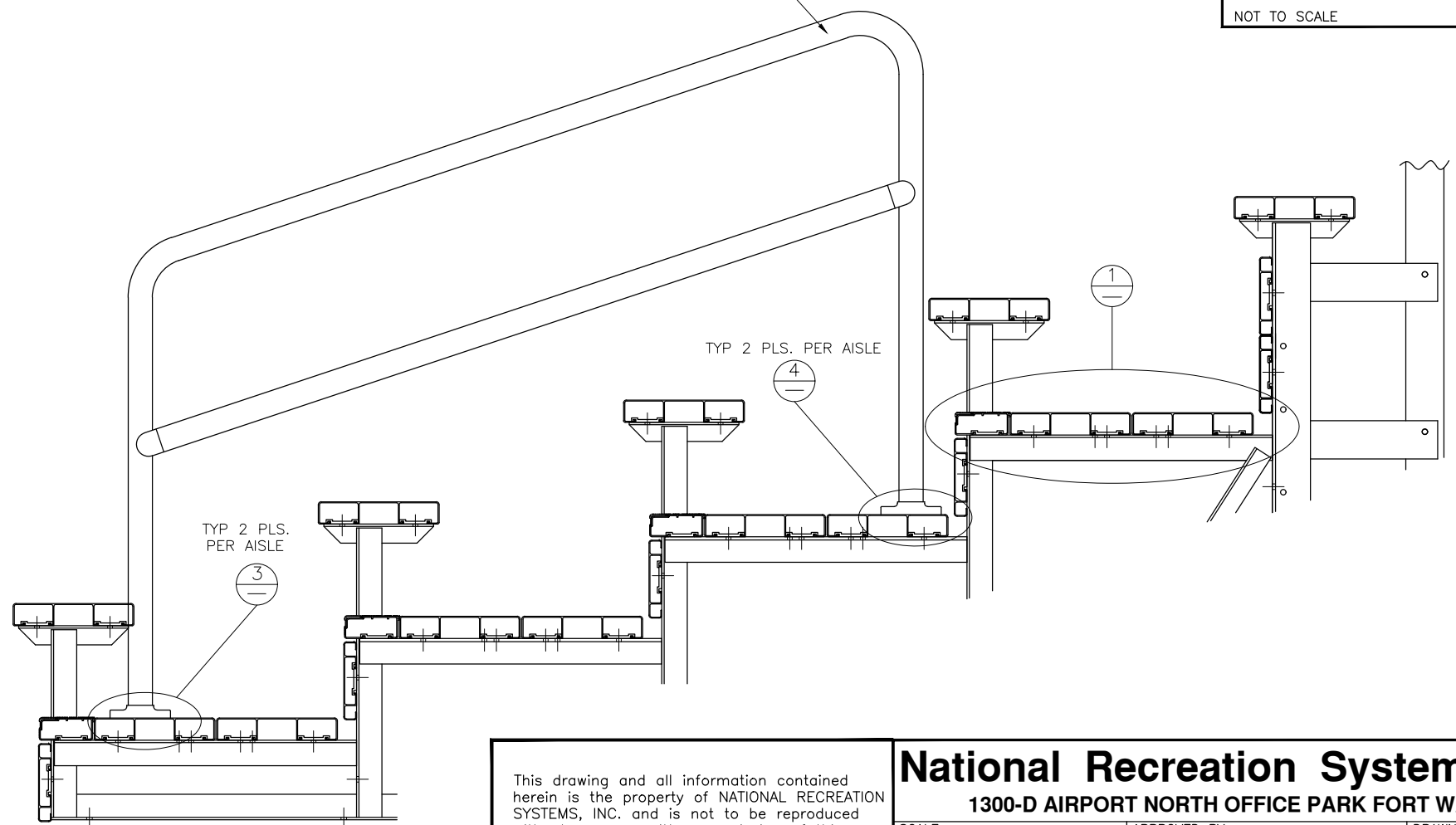


**DETAIL A**

FRONT HANDRAIL ASSEMBLY SHOWN  
LOCATE OVER REAR FOOT PLANK FOR REAR ASSEMBLY



3 STEP AISLE HANDRAIL  
TYP 1 PLS. PER AISLE  
LOCATE OVER CENTER  
AISLE STIFFENER

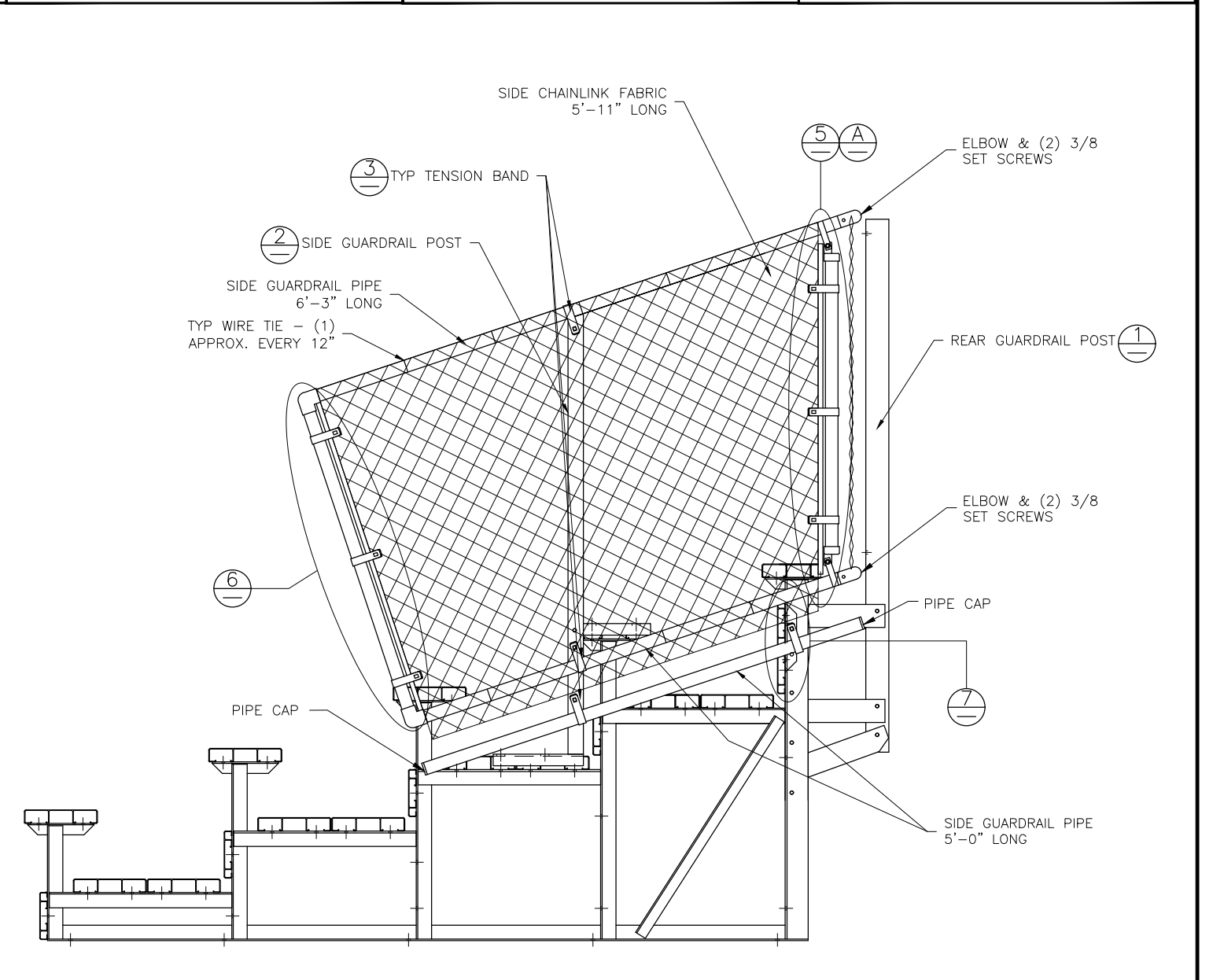
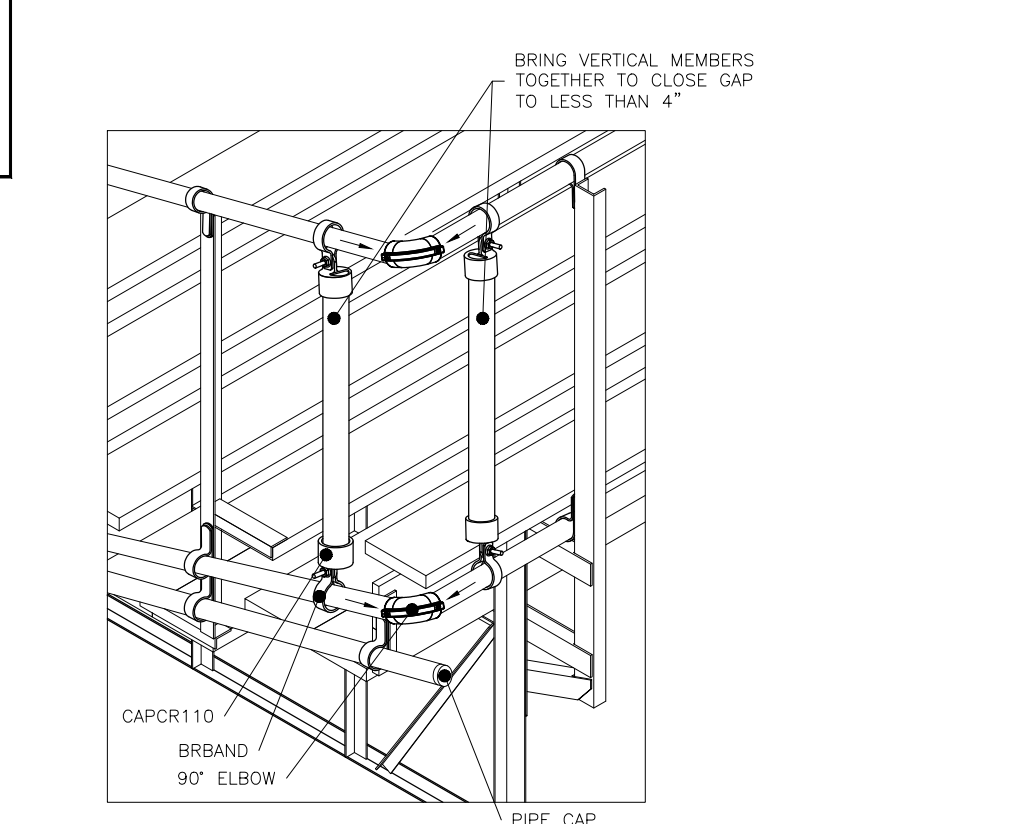
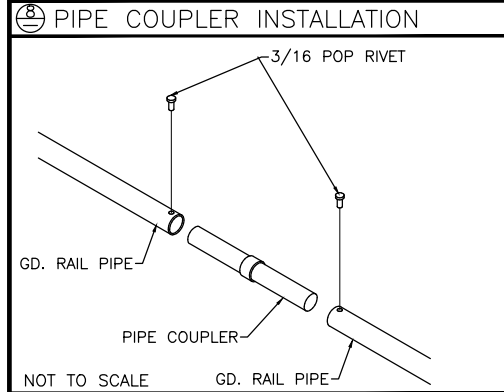
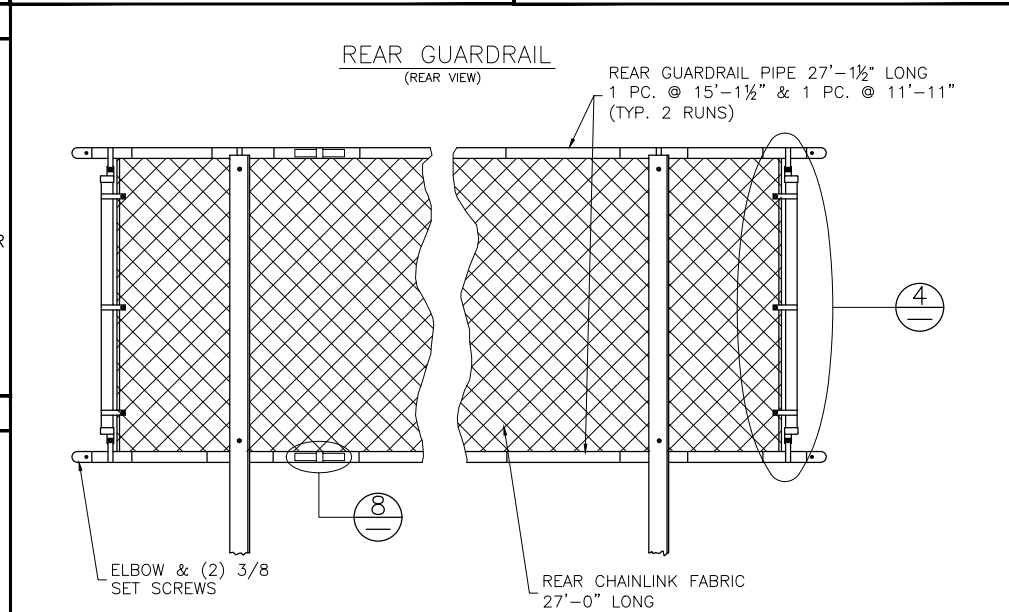
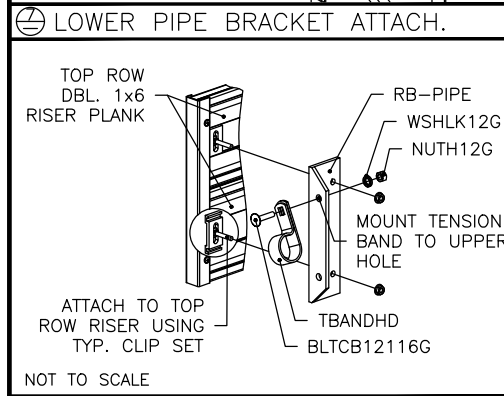
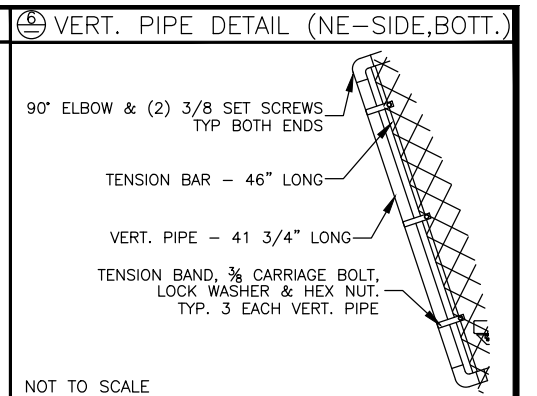
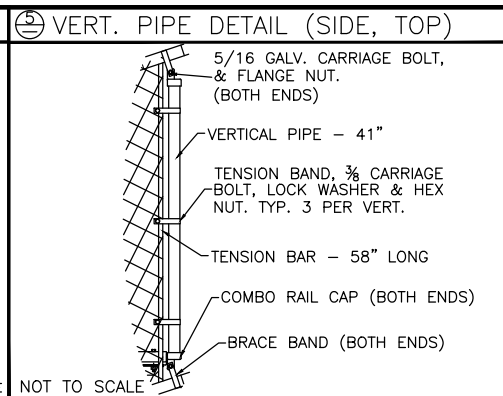
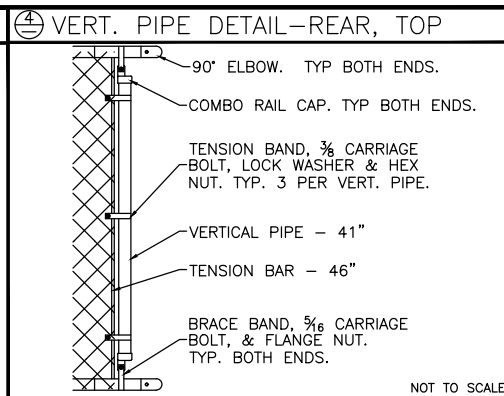
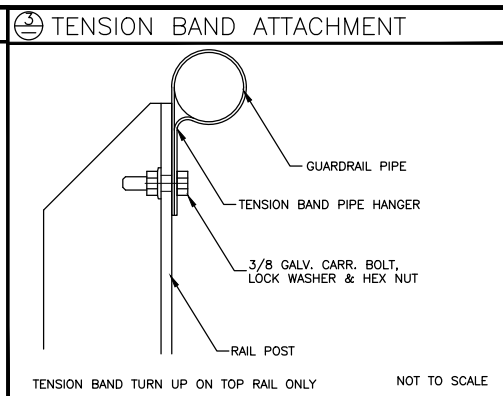
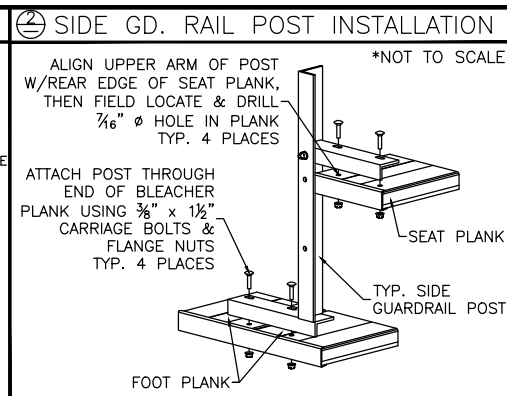
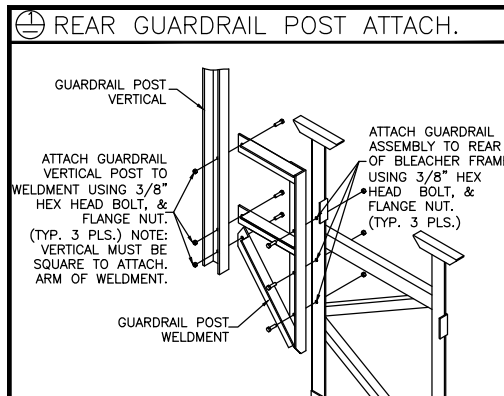


ALIGN EDGE OF FLANGE APPROX. 1/2" FROM THE LEADING EDGE OF THE FRONTMOST CONTINUOUS 2x10 FOOT PLANK (NOT THE 2x5 AISLE STEP PLANK). SLIGHTLY ADJUST FLANGE LOCATION, IF NECESSARY, SO THAT THE BOLT HOLE IS NOT DRILLED INTO A VERTICAL LEG OF THE PLANK. DRILL  $\phi 7/16$ " HOLES (FOR 3/8" BOLT). ASSEMBLE AS SHOWN USING GALV. STEEL BOLTS, FLAT WASHERS & FLANGE NUTS.

This drawing and all information contained herein is the property of NATIONAL RECREATION SYSTEMS, INC. and is not to be reproduced without express written permission of this manufacturer. We assume no responsibility for unauthorized use of this drawing. National Recreation Systems, Inc. is not responsible for local permits and occupancy requirements.

**National Recreation Systems, Inc.**  
1300-D AIRPORT NORTH OFFICE PARK FORT WAYNE, IN 46825

SCALE: N.T.S.	APPROVED BY:	DRAWN BY: IMP
DATE: 12/27/16		
TITLE: 5 ROW VERTICAL AISLE ASSEMBLY		
BLEACHER MODEL #: NA-0527DLX_CL	DRAWING NUMBER: VA.1	



This drawing and all information contained herein is the property of NATIONAL RECREATION SYSTEMS, INC. and is not to be reproduced without express written permission of this manufacturer. We assume no responsibility for unauthorized use of this drawing. National Recreation Systems, Inc. is not responsible for local permits and occupancy requirements.

**National Recreation Systems, Inc.**  
1300-D AIRPORT NORTH OFFICE PARK FORT WAYNE, IN 46825

SCALE: N.T.S.	APPROVED BY:	DRAWN BY: IMP
DATE: 12/27/16		
TITLE: 5 ROW X 27'-0" GUARD RAIL ASSEMBLY		
BLEACHER MODEL #: NA-0527DLX_CL	DRAWING NUMBER: GR.1	