

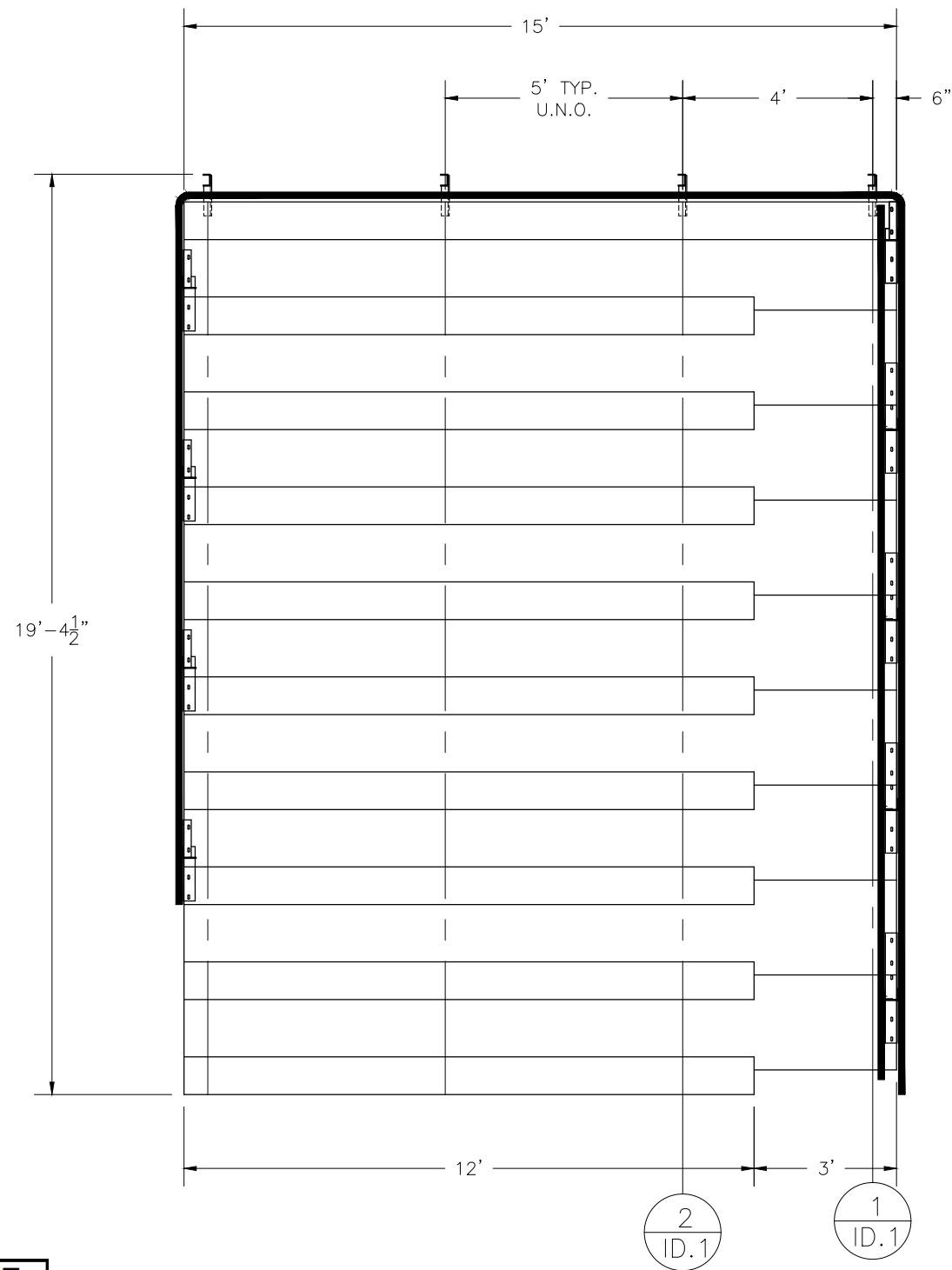
NA-1015DLX_CLL

NON ELEVATED ALUMINUM 10 ROW x 15'-0" BLEACHER

National Recreation Systems, Inc.

5120 INVESTMENT DRIVE - FORT WAYNE, IN 46808

CS.1	- COVER SHEET
TD.1	- BLEACHER SEATING PLAN
ID.1	- FRAME ID
BA.1	- BLEACHER ASSEMBLY
PF.1	- PLANK & FRAMING PLAN
GR.1	- GUARDRAIL ASSEMBLY
VA.1	- VERTICAL AISLE ASSEMBLY
DS.1	- DETAIL SHEET



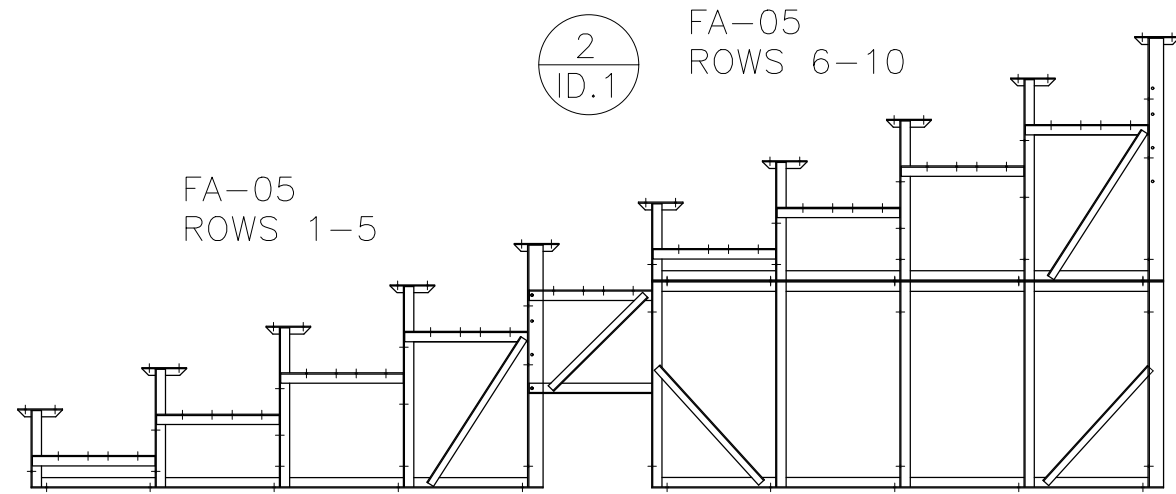
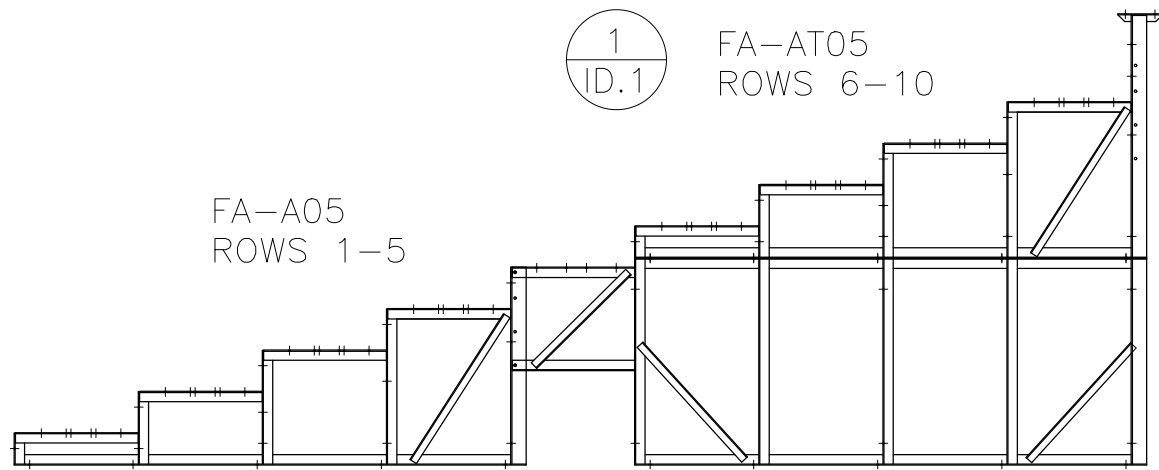
TYP. UNLESS NOTED

SECTION LENGTH	GROSS SEATS	ACTUAL SEATS	NO. OF ROWS	NET SEATS
15	10.00	10.00	1	10
12	8.00	8.00	9	72
NET SEATS				82
WHEELCHAIR SPACES				0
TOTAL NET SEATING CAPACITY				82
(BASED ON 18" PER SEAT)				

This drawing and all information contained herein is the property of NATIONAL RECREATION SYSTEMS, INC. and is not to be reproduced without express written permission of this manufacturer. We assume no responsibility for unauthorized use of this drawing. National Recreation Systems, Inc. is not responsible for local permits and occupancy requirements.

National Recreation Systems, Inc.
 5120 INVESTMENT DRIVE - FORT WAYNE, IN 46808

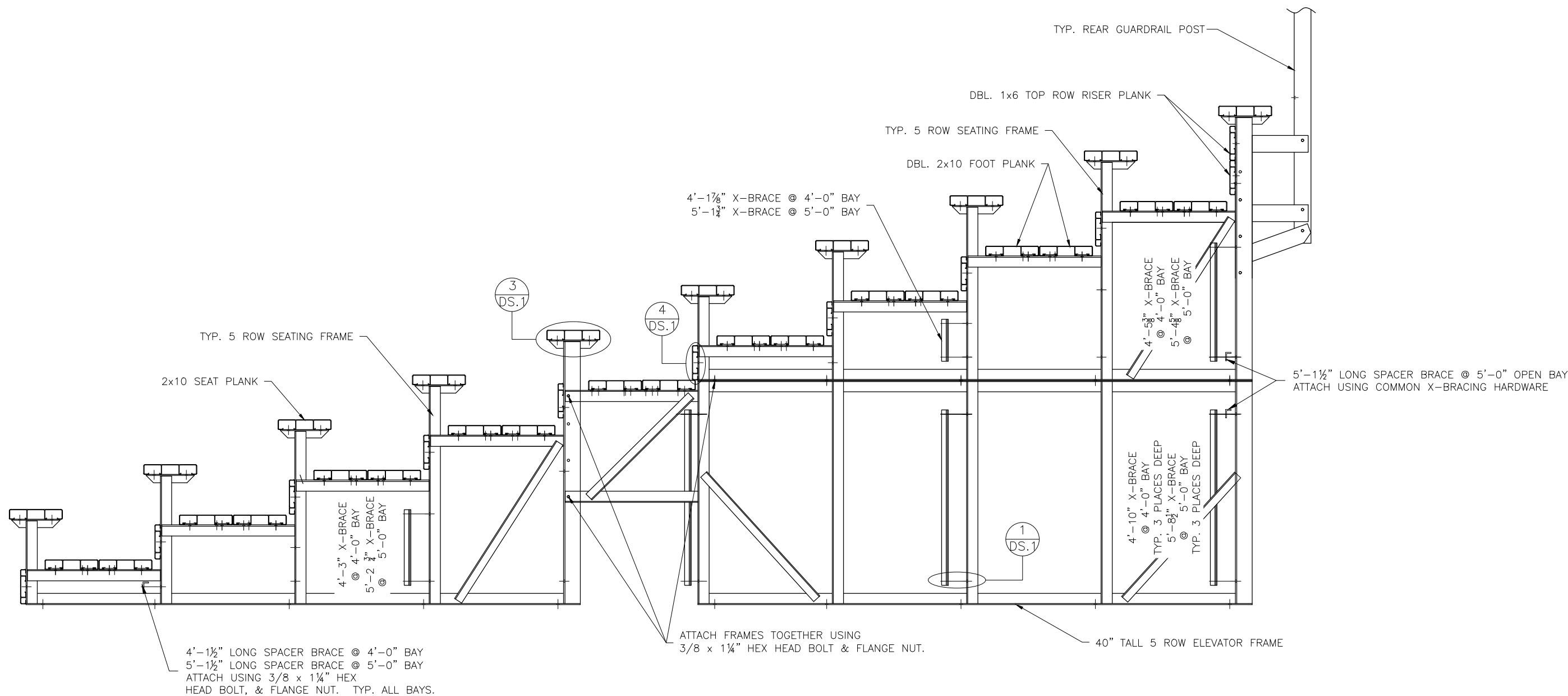
SCALE: N.T.S.	APPROVED BY:	DRAWN BY: IMP
DATE: 6/29/17		
TITLE: NON ELEV 10 ROW x 15-0" BLEACHER SEATING PLAN		
BLEACHER MODEL #: NA-1015DLX_CLL	DRAWING NUMBER: TD.1	



This drawing and all information contained herein is the property of NATIONAL RECREATION SYSTEMS, INC. and is not to be reproduced without express written permission of this manufacturer. We assume no responsibility for unauthorized use of this drawing. National Recreation Systems, Inc. is not responsible for local permits and occupancy requirements.

National Recreation Systems, Inc.
5120 INVESTMENT DRIVE - FORT WAYNE, IN 46808

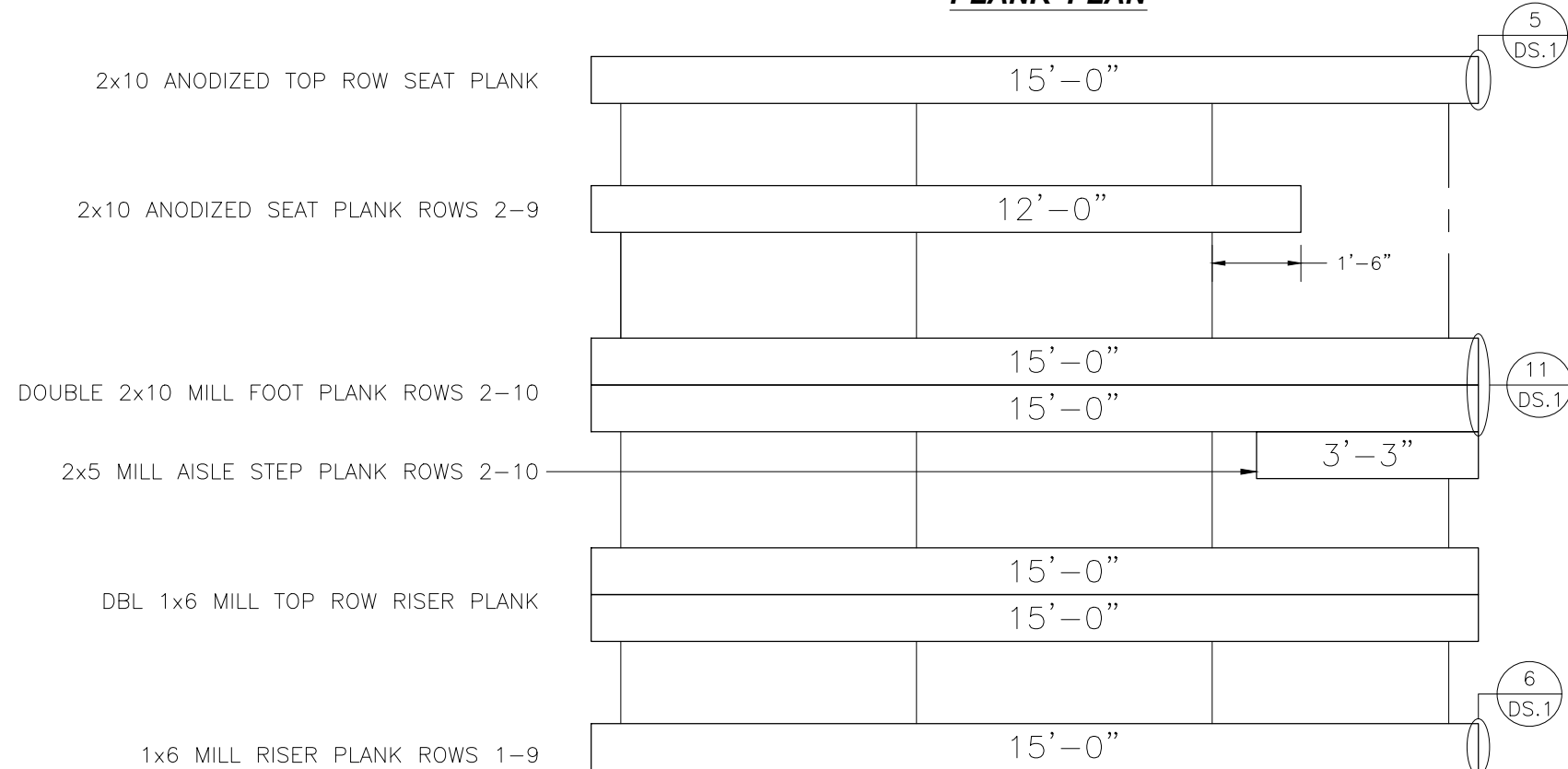
SCALE: N.T.S.	APPROVED BY:	DRAWN BY: IMP
DATE: 6/29/17		
TITLE: FRAME ID		
BLEACHER MODEL #: NA-1015DLX_CLL	DRAWING NUMBER: ID.1	



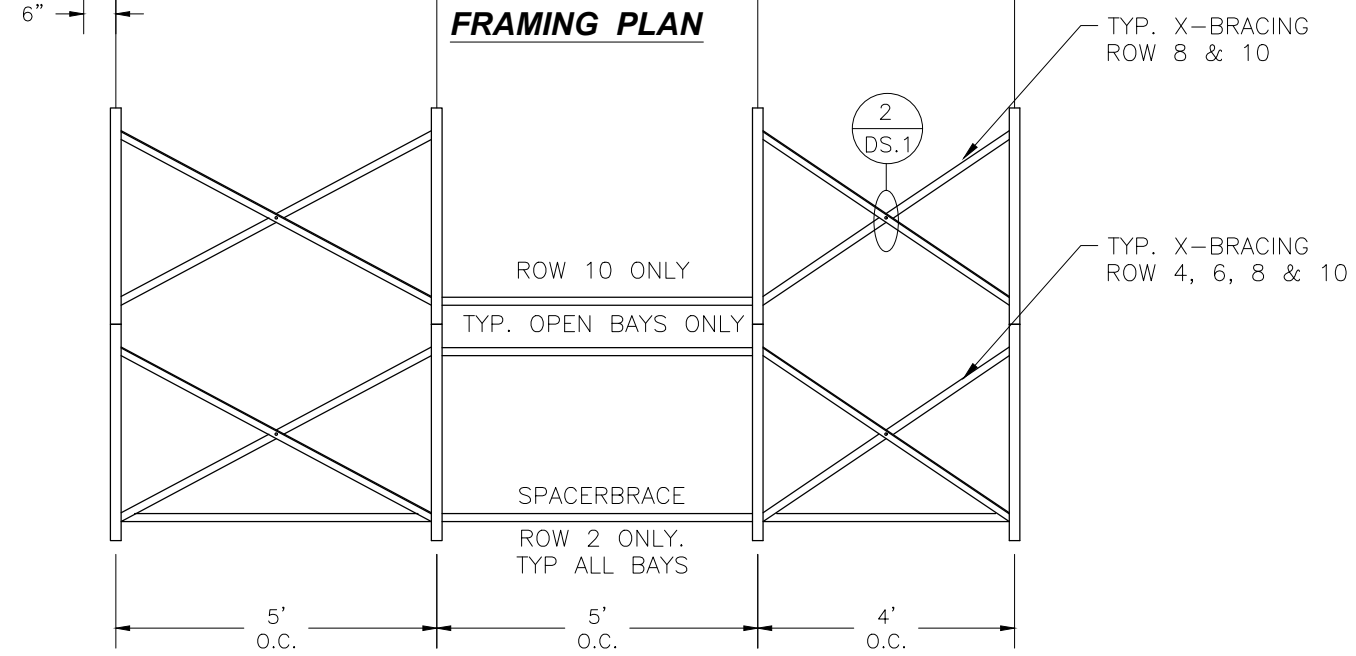
This drawing and all information contained herein is the property of NATIONAL RECREATION SYSTEMS, INC. and is not to be reproduced without express written permission of this manufacturer. We assume no responsibility for unauthorized use of this drawing. National Recreation Systems, Inc. is not responsible for local permits and occupancy requirements.

National Recreation Systems, Inc. 5120 INVESTMENT DRIVE - FORT WAYNE, IN 46808		
SCALE: N.T.S.	APPROVED BY:	DRAWN BY: IMP
DATE: 6/29/17		
TITLE: BLEACHER ASSEMBLY		
BLEACHER MODEL #: NA-1015DLX_CLL	DRAWING NUMBER: BA.1	

PLANK PLAN



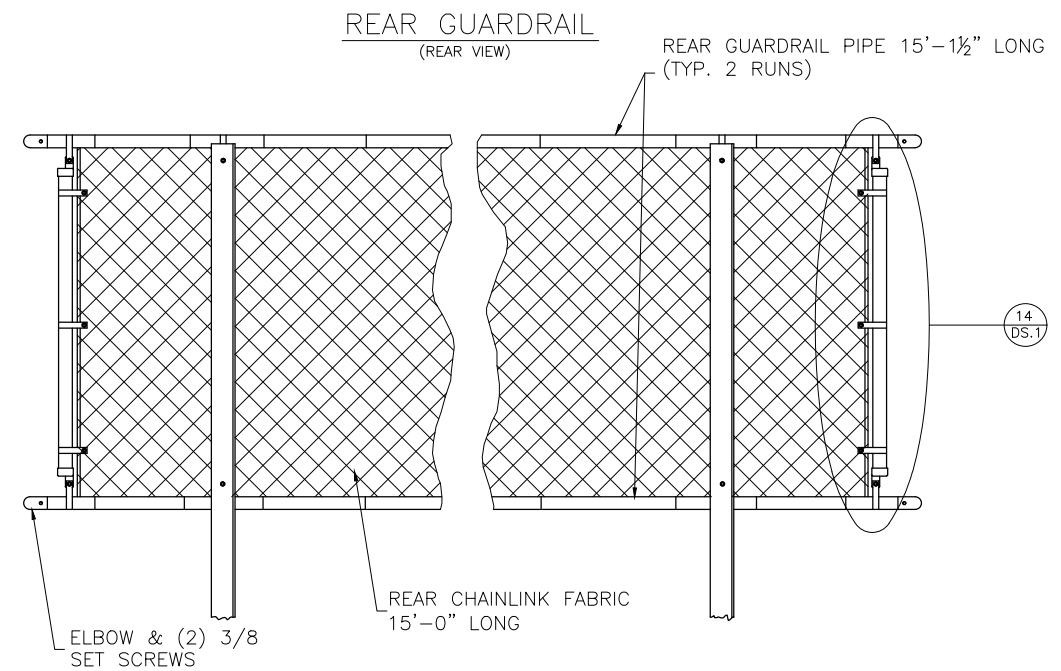
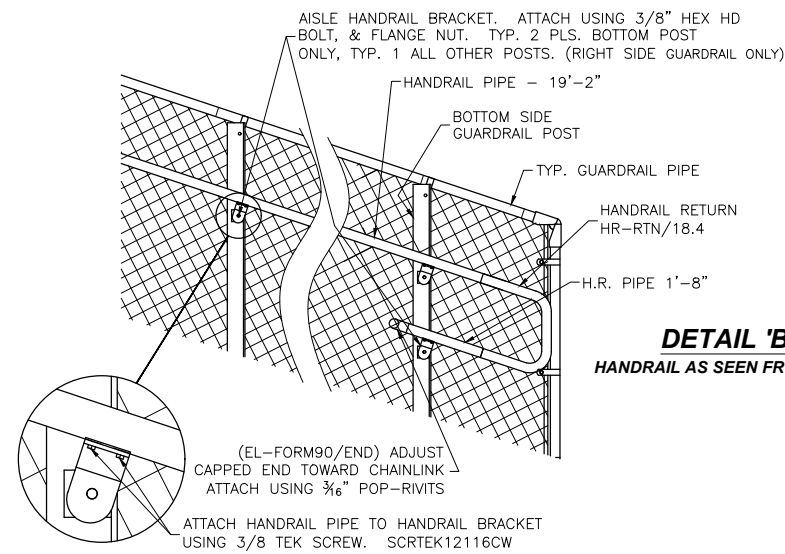
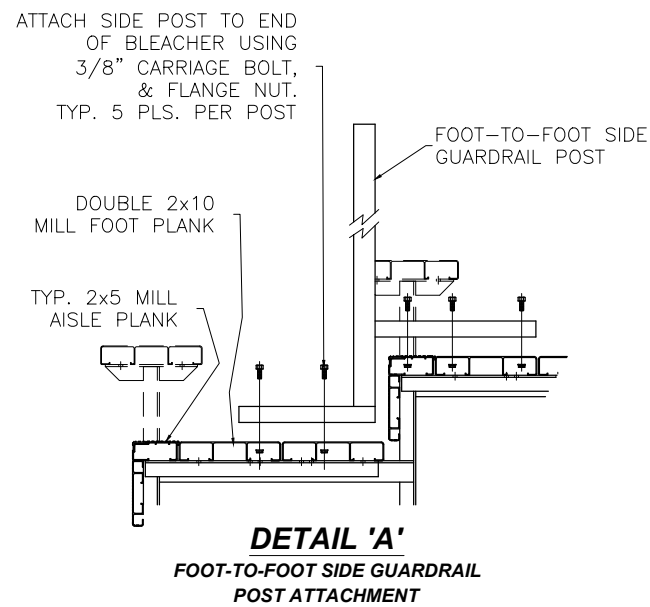
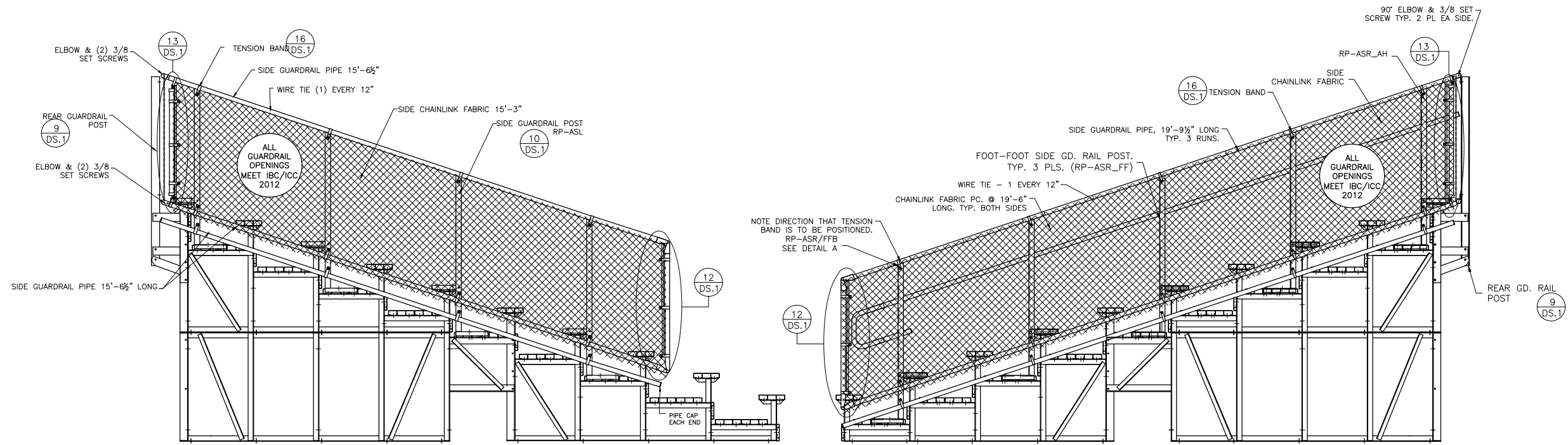
FRAMING PLAN



This drawing and all information contained herein is the property of NATIONAL RECREATION SYSTEMS, INC. and is not to be reproduced without express written permission of this manufacturer. We assume no responsibility for unauthorized use of this drawing. National Recreation Systems, Inc. is not responsible for local permits and occupancy requirements.

National Recreation Systems, Inc.
 5120 INVESTMENT DRIVE - FORT WAYNE, IN 46808

SCALE: N.T.S.	APPROVED BY:	DRAWN BY: IMP
DATE: 6/29/17		
TITLE: NON ELEV 10 ROW x 15-0" PLANK & FRAMING PLAN		
BLEACHER MODEL #: NA-1015DLX_CLL	DRAWING NUMBER: PF.1	



**SEE PRINT DS.1
FOR ALL ASSEMBLY DETAILS.**

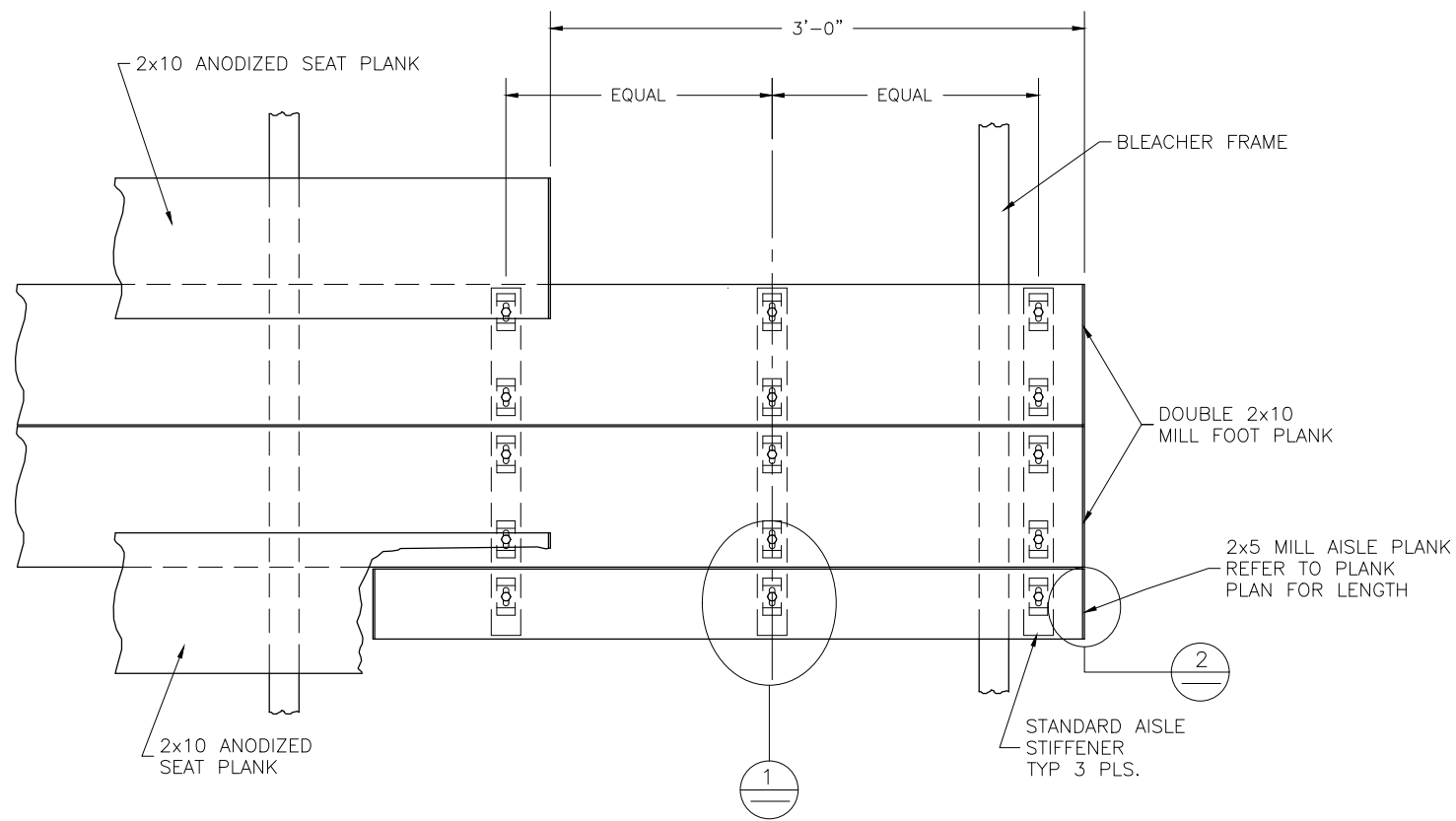
This drawing and all information contained herein is the property of NATIONAL RECREATION SYSTEMS, INC. and is not to be reproduced without express written permission of this manufacturer. We assume no responsibility for unauthorized use of this drawing. National Recreation Systems, Inc. is not responsible for local permits and occupancy requirements.

National Recreation Systems, Inc.

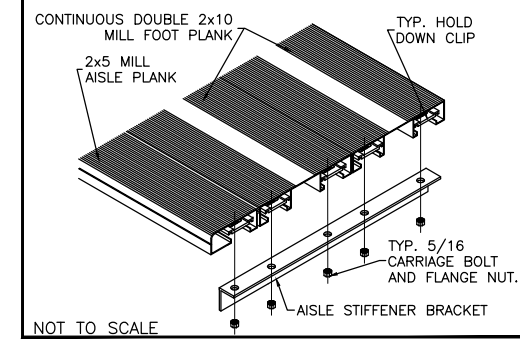
5120 INVESTMENT DRIVE - FORT WAYNE, IN 46808

SCALE: N.T.S.	APPROVED BY:	DRAWN BY: IMP
DATE: 6/29/17		
TITLE: NON ELEV 10 ROW x 15'-0" GUARD RAIL ASSEMBLY		
BLEACHER MODEL #: NA-1015DLX_CLL	DRAWING NUMBER: GR.1	

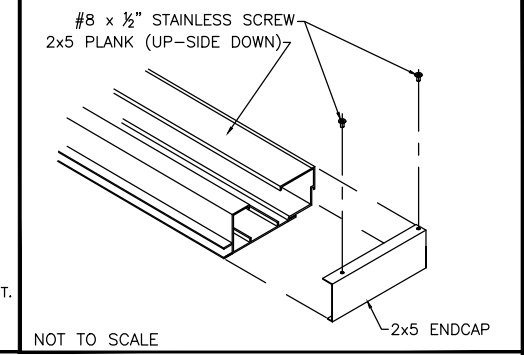
AISLE PLAN TYP ALL ROWS



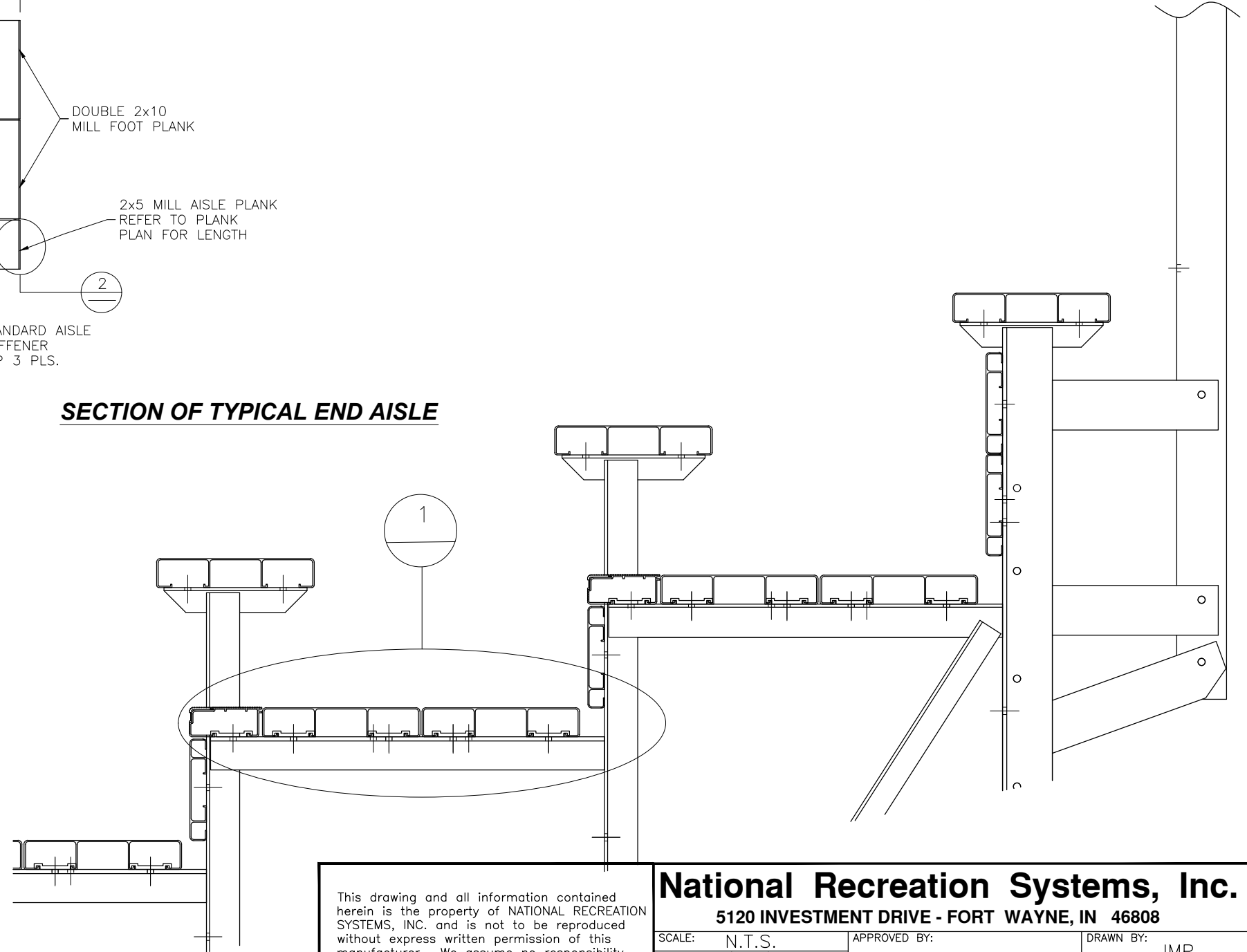
TYP. AISLE BKT DETAIL



TYP 2x5 ENDCAP ATTACHMENT



SECTION OF TYPICAL END AISLE

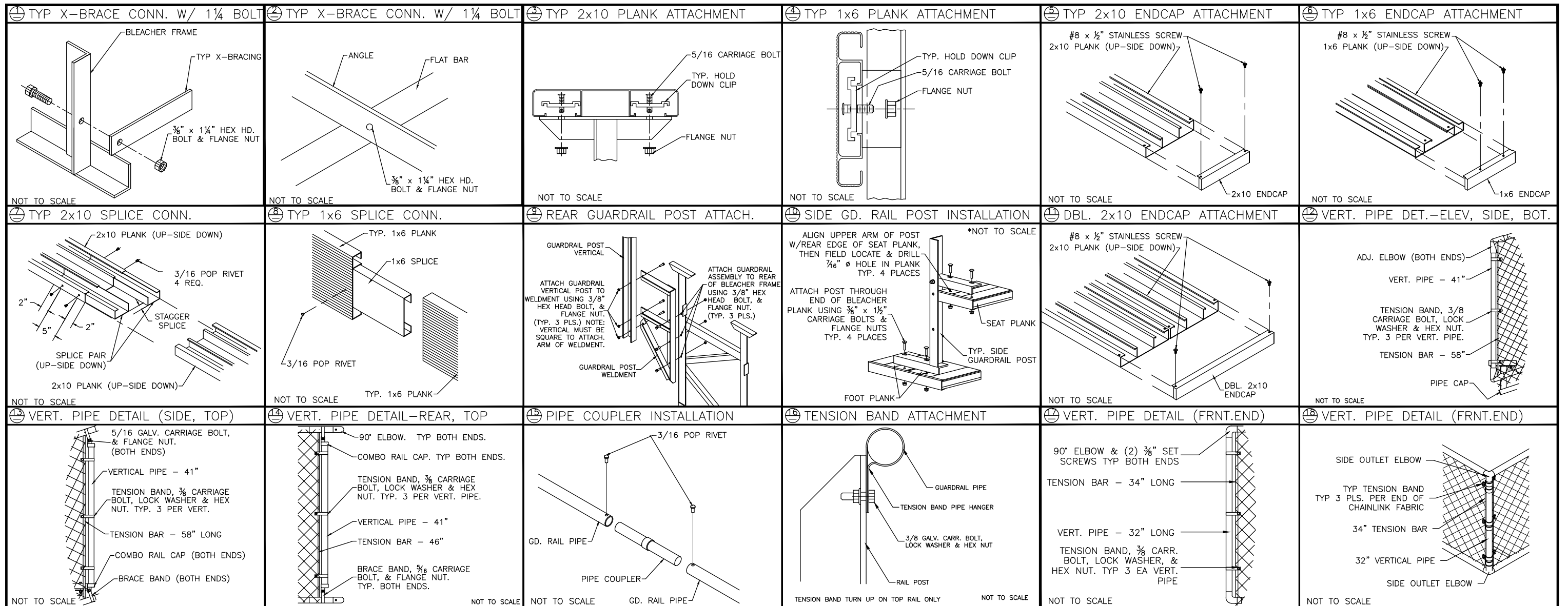


This drawing and all information contained herein is the property of NATIONAL RECREATION SYSTEMS, INC. and is not to be reproduced without express written permission of this manufacturer. We assume no responsibility for unauthorized use of this drawing. National Recreation Systems, Inc. is not responsible for local permits and occupancy requirements.

National Recreation Systems, Inc.

5120 INVESTMENT DRIVE - FORT WAYNE, IN 46808

SCALE: N.T.S.	APPROVED BY:	DRAWN BY: IMP
DATE: 6/29/17		
TITLE: NON ELEV 10 ROW x 15-0" VERTICAL AISLE ASSEMBLY		
BLEACHER MODEL #: NA-1015DLX_CLL	DRAWING NUMBER: VA.1	



<p>This drawing and all information contained herein is the property of NATIONAL RECREATION SYSTEMS, INC. and is not to be reproduced without express written permission of this manufacturer. We assume no responsibility for unauthorized use of this drawing. National Recreation Systems, Inc. is not responsible for local permits and occupancy requirements.</p>		<p>National Recreation Systems, Inc. 5120 INVESTMENT DRIVE - FORT WAYNE, IN 46808</p>	
<p>SCALE: N.T.S. DATE: 6/29/17</p>	<p>APPROVED BY:</p>	<p>DRAWN BY: IMP</p>	
<p>TITLE: DETAIL SHEETS</p>		<p>DRAWING NUMBER:</p>	
<p>BLEACHER MODEL #: NA-1015DLX_CLL</p>		<p>DS.1</p>	