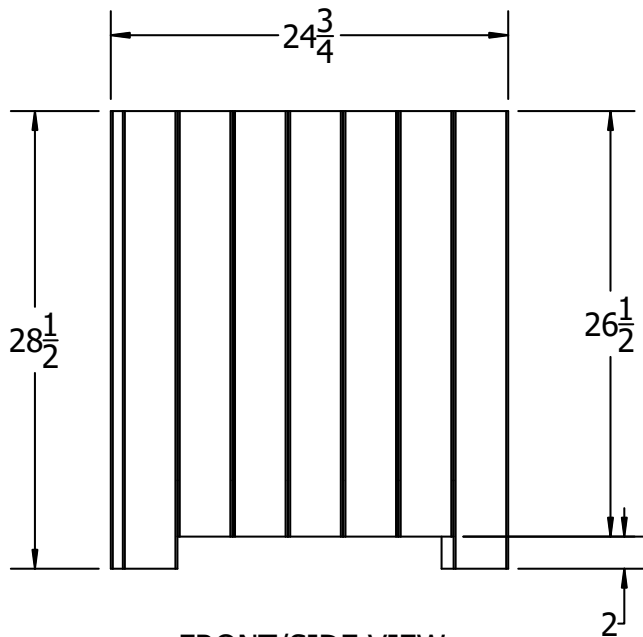
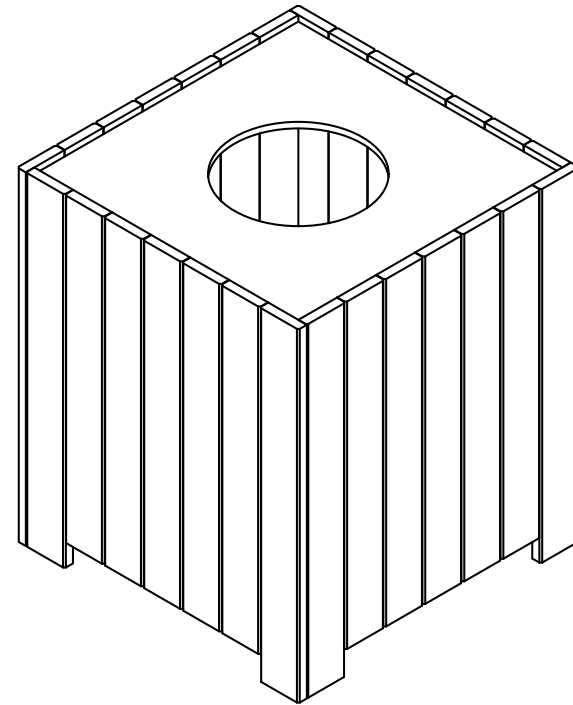


TOP VIEW



FRONT/SIDE VIEW



3D ISOMETRIC VIEW



INSERT COLOR CODE IN PRODUCT NUMBER
 CEDAR= CED, GRAY= GRA, GREEN= GRE,
 BLUE= BLU, RED= RED, WHITE=WHI

EXAMPLE: CEDAR 20 GAL. STANDARD
 SQUARE RECEPTACLE =
 PB 20SCED

Square 20 Gallon Receptacle Spec Drawing

©COPYRIGHT 2013-2033

THIS COPYRIGHTED MATERIAL IS THE PROPERTY OF FROG FURNISHINGS AND SHALL NOT BE REPRODUCED, PUBLISHED OR DISCLOSED TO OTHERS WITHOUT AUTHORIZATION AND CANNOT BE USED IN ANY WAY AGAINST OR DETRIMENTAL TO JAYHAWK PLASTICS INC. OLATHE, KANSAS USA

Frog Furnishings
 15750 S. Keeler Terrace
 Olathe, KS 66062
www.frogfurnishings.com

NOT TO SCALE
 Date: 04/2019
 INFORMATION IS SUBJECT TO CHANGE WITHOUT NOTICE

