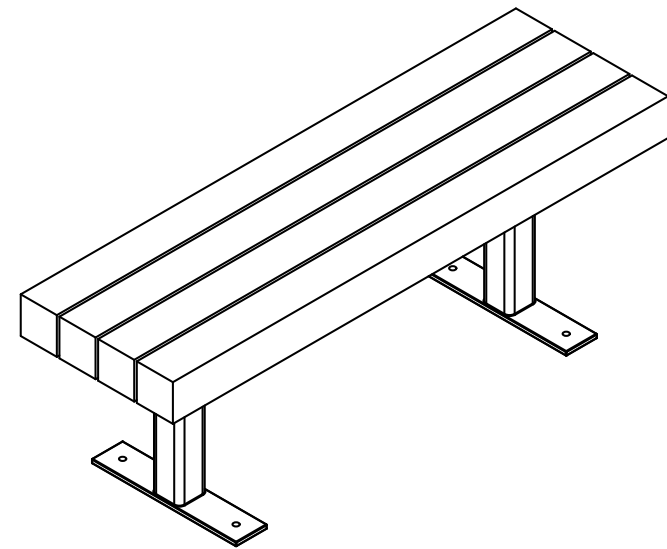
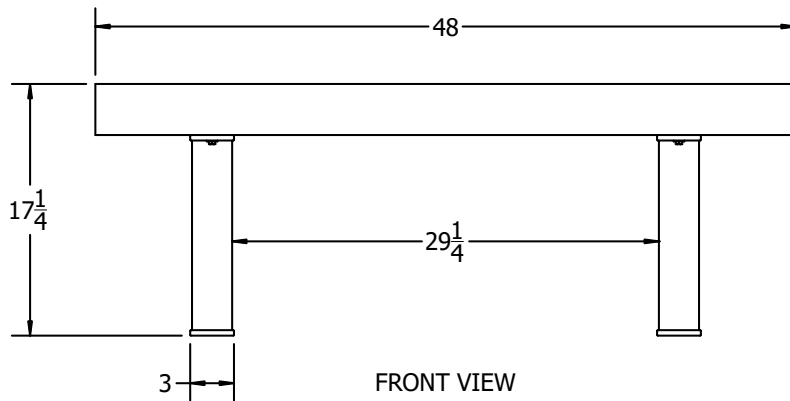


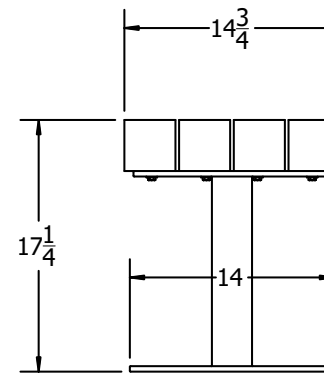
TOP VIEW



3D ISOMETRIC VIEW



FRONT VIEW



SIDE VIEW



CED



GRA



GRE



BLA

**STANDARD COLORS**

**OPTIONAL COLORS**

INSERT COLOR CODE IN PRODUCT NUMBER  
CEDAR= CED, GRAY= GRA, GREEN= GRE, BLACK=BLA

EXAMPLE: CEDAR TRAILSIDE 4 FT. BENCH =  
PB 4CEDTRA

# 4 Ft. Trailside Bench Spec Sheet

©COPYRIGHT 2013-2033

THIS COPYRIGHTED MATERIAL IS THE PROPERTY OF FROG FURNISHINGS AND SHALL NOT BE REPRODUCED, PUBLISHED OR DISCLOSED TO OTHERS WITHOUT AUTHORIZATION AND CANNOT BE USED IN ANY WAY AGAINST OR DETRIMENTAL TO JAYHAWK PLASTICS INC. OLATHE, KANSAS USA

Frog Furnishings  
15750 S. Keeler Terrace  
Olathe, KS 66062  
www.frogfurnishings.com

NOT TO SCALE  
Date: 04/2019

