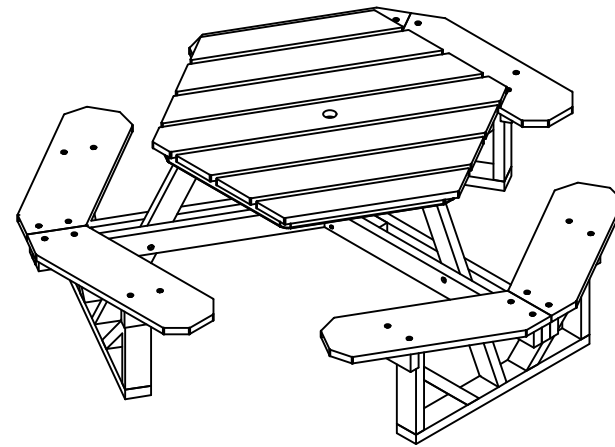
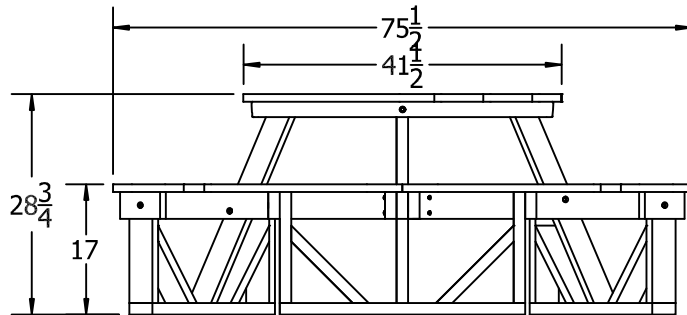


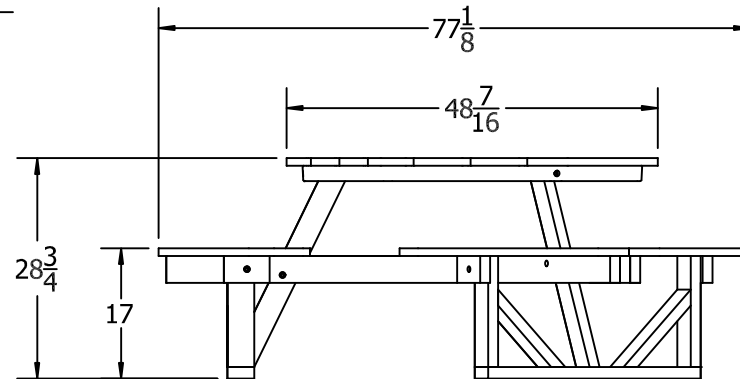
TOP VIEW



3D ISOMETRIC VIEW



FRONT VIEW



SIDE VIEW

INSERT COLOR CODE IN PRODUCT NUMBER
 CEDAR= CED, GRAY= GRA, GREEN= GRE

EXAMPLE: CEDAR HEX TABLE 6 FT. =
 PB 6HEXCED

6 Ft. Hex Table Spec Sheet

©COPYRIGHT 2013-2033

THIS COPYRIGHTED MATERIAL IS THE PROPERTY OF FROG FURNISHINGS AND SHALL NOT BE REPRODUCED, PUBLISHED OR DISCLOSED TO OTHERS WITHOUT AUTHORIZATION AND CANNOT BE USED IN ANY WAY AGAINST OR DETRIMENTAL TO JAYHAWK PLASTICS INC. OLATHE, KANSAS USA

Frog Furnishings
 15750 S. Keeler Terrace
 Olathe, KS 66062
www.frogfurnishings.com

NOT TO SCALE
 Date: 01/2019



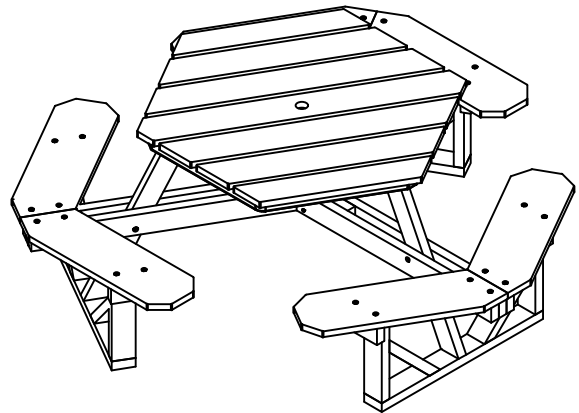
General Product Information

Product Name- 6 Foot Hex Table
Manufacturer- Frog Furnishings, Inc.
Product Number- PB 6HEX____

Standard Colors

INSERT COLOR CODE IN PRODUCT NUMBER
CEDAR= CED, GRAY= GRA, GREEN= GRE

EXAMPLE: CEDAR HEX TABLE 6 FT. =
PB 6HEXCED



Construction

Hex table will be constructed of the highest grade recycled plastic containing post consumer waste. Materials will contain a proprietary coloring process and unique UV protection.

Table Top- Will be fabricated with a minimum of 1 x 6 Resinwood slats mounted on a proprietary one piece molded plastic substructure. No hardware will be visible on the top surface.

Table Support- Minimum of 1 x 4 Resinwood prefabricated to ease assembly.

Seats- Must be of 2 x 10 Resinwood slats with edges routered and or chamfered.

Hardware- Assembly hardware will be provided in high grade stainless steel.

Size- Hex Table dimensions will be as shown on the specification drawing + or -.

Warranty

All materials and workmanship will be guaranteed for five (5) years.

6 Ft. Hex Table Specifications

©COPYRIGHT 2013-2033

Frog Furnishings
15750 S. Keeler Terrace
Olathe, KS 66062
www.frogfurnishings.com

FrogTM
FURNISHINGS