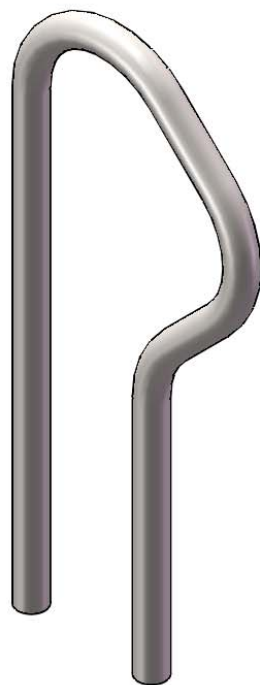


Site Amenities

BY SUPERIOR RECREATIONAL PRODUCTS



Model #
SLOPE-ING

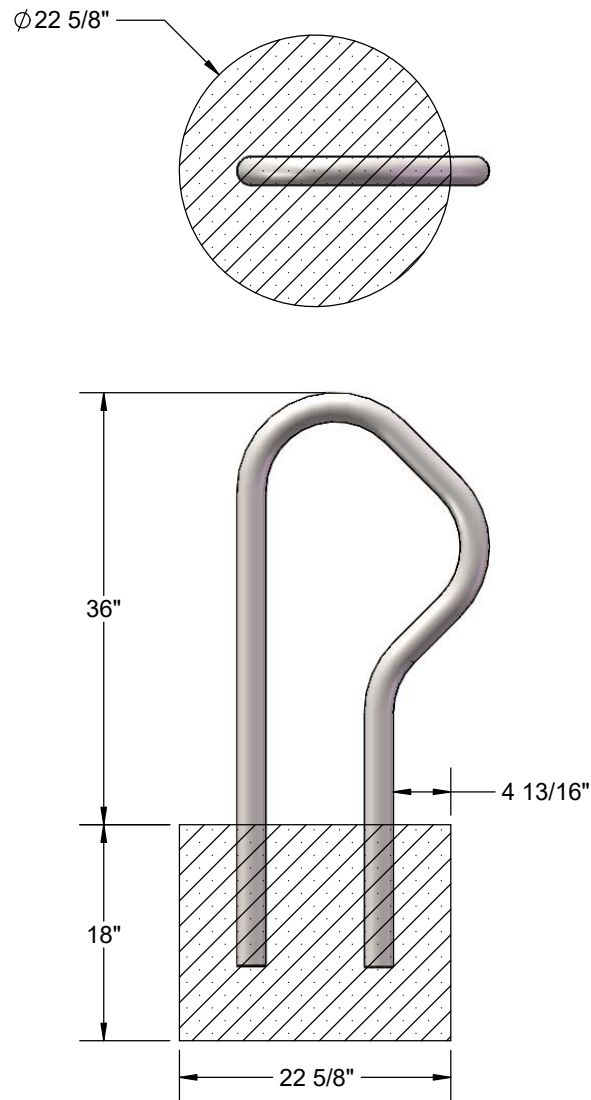


PRODUCT SPECIFICATION

SLOPE-ING

Overall dimensions shall be 36" high from the ground x 21" wide. Framework shall be fabricated from 2-3/8" O.D. pipe. 12 gauge steel pipe. Made to hold 2 bikes.

FOOTING



Estimated Required Concrete:
11 - 50lb Bags of Concrete Mix

OVERALL DIMENSIONS

