

USER GROUP: 2-5 Years, 5-12 Years

RECOMMENDED CREW: 2 People

TOOLS REQUIRED:

- TT-30 Torx, 9/16" Hex, 3/16" Allen
- Level, Square, Hammer / Mallet, Plastic / Metal Saw
- Auger / Post Hole Digger / Shovel
- Drill Bits: 5/32"
- Framing, Bracing, or Concrete Forms (Not Included)
- Anchor Bolts (Not Included)
- High Speed 3/8" Electric Drill with Clutch

NOTE: Use of any other driver may result in damage to product, tool, and/or hardware!

NOTE: Apply Thread Locking Solution to ALL Non-Patched Hardware with Threads!

INSTALLATION TIME: 2 Hours

WEIGHT: 140 lbs.

CONCRETE REQUIRED: (7) 80lb. bags - 4.2 ft³

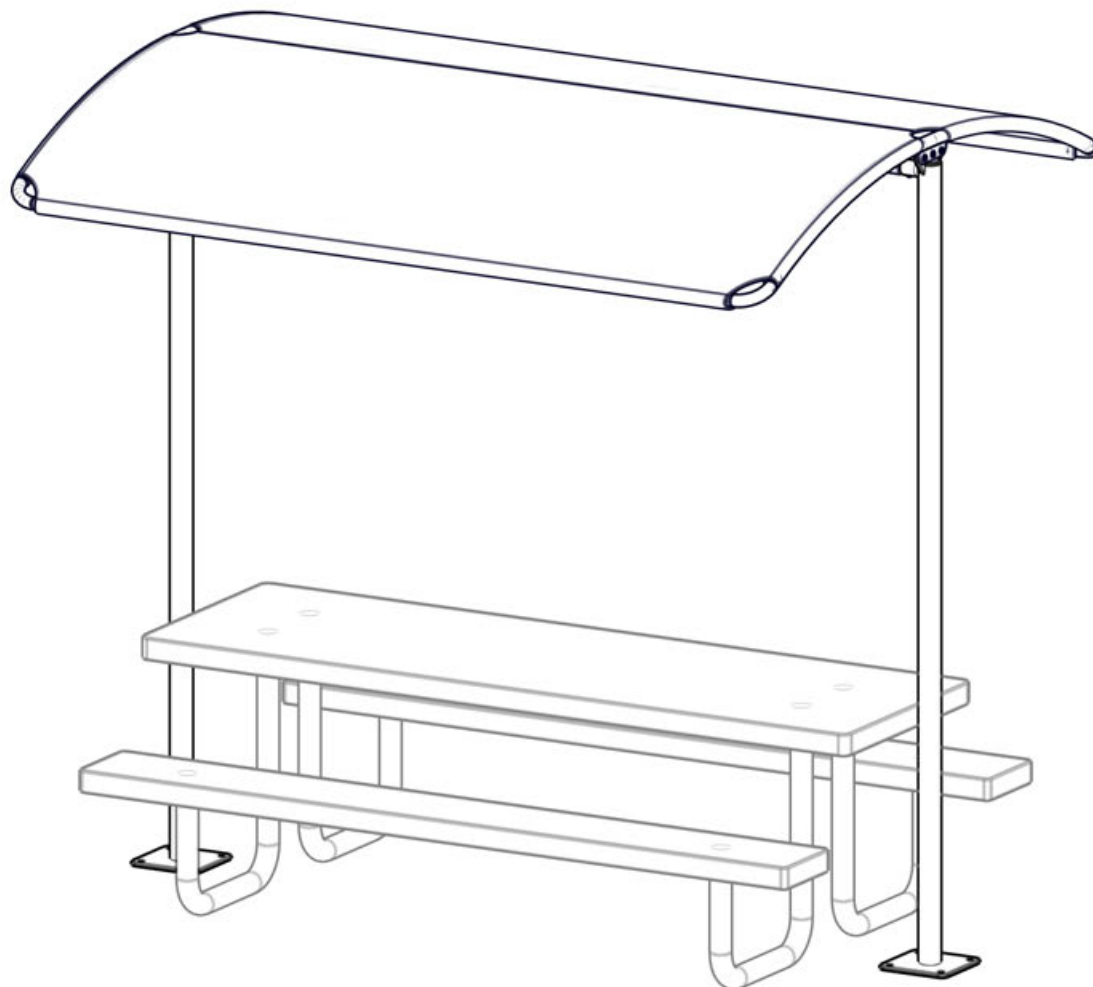
NOTE: Concrete must have a minimum rating of 2,500 psi and must be mixed per manufacturer's recommendations.

PRE-INSTALLATION CHECK:

Customer is responsible for verifying materials received by comparing received items with packing list. If any parts are missing or damaged, including documentation, contact your local sales representative immediately.

Supplier is not responsible for items discovered missing after 72 hours from time of delivery.

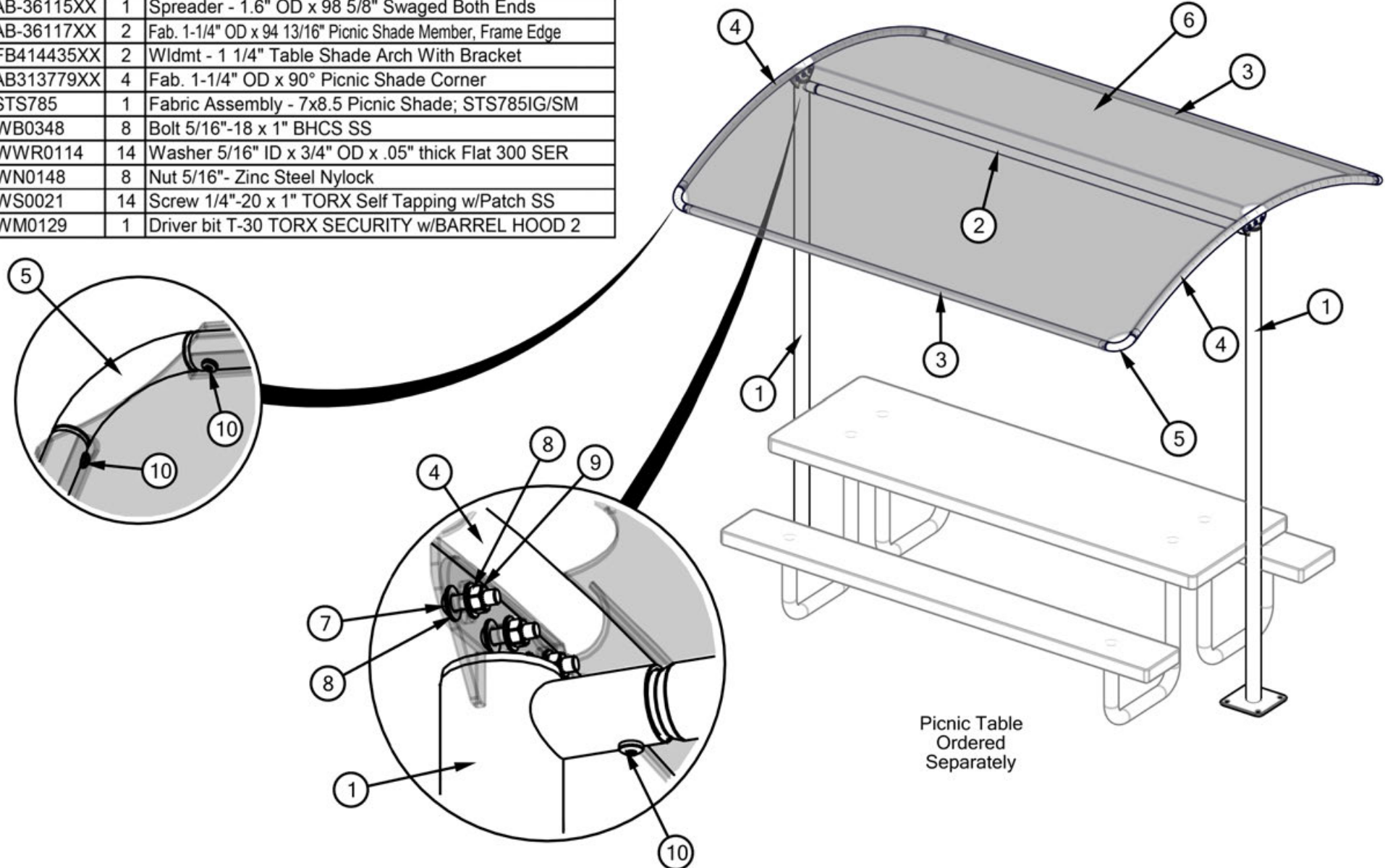
Before beginning installation, all installers must read and understand the Installation Introduction manual as supplied. If you did not receive a copy, or if you have any questions regarding any information in the Installation Instructions or this Installation Guideline, contact your local sales representative.



Picnic Table
Ordered
Separately

Anchor Bolts
Not Included

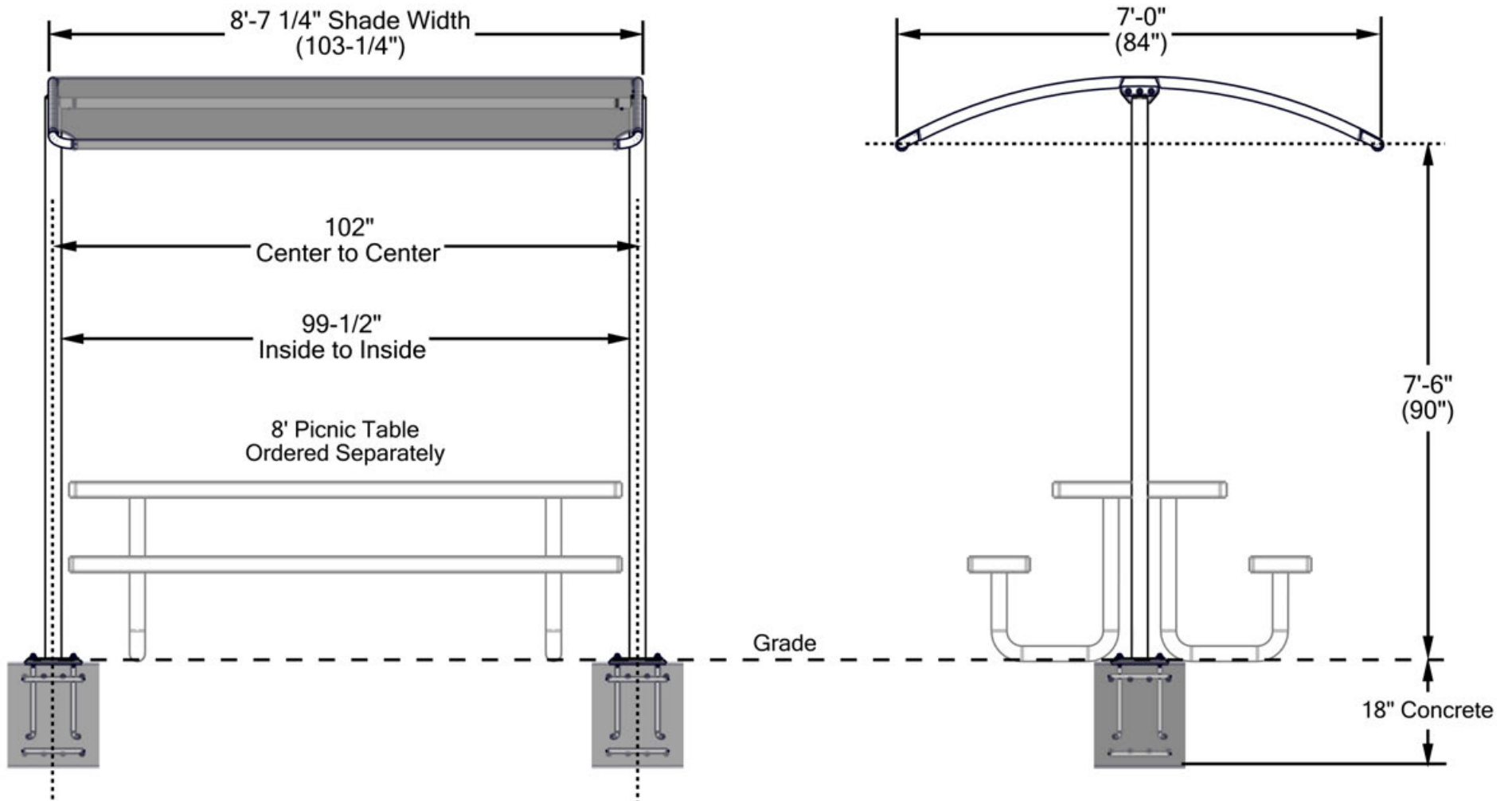
ITEM	Part No.	QTY	DESCRIPTION
1	PSA13949XX	2	Column - BP 2 1/2" OD x 98 3/16" Picnic Shade
2	FAB-36115XX	1	Spreader - 1.6" OD x 98 5/8" Swaged Both Ends
3	FAB-36117XX	2	Fab. 1-1/4" OD x 94 13/16" Picnic Shade Member, Frame Edge
4	AFB414435XX	2	Wldmt - 1 1/4" Table Shade Arch With Bracket
5	FAB313779XX	4	Fab. 1-1/4" OD x 90° Picnic Shade Corner
6	FSTS785	1	Fabric Assembly - 7x8.5 Picnic Shade; STS785IG/SM
7	HWB0348	8	Bolt 5/16"-18 x 1" BHCS SS
8	HWWR0114	14	Washer 5/16" ID x 3/4" OD x .05" thick Flat 300 SER
9	HWN0148	8	Nut 5/16"- Zinc Steel Nylock
10	HWS0021	14	Screw 1/4"-20 x 1" TORX Self Tapping w/Patch SS
11	HWM0129	1	Driver bit T-30 TORX SECURITY w/BARREL HOOD 2



Picnic Table
Ordered
Separately

STEP 1

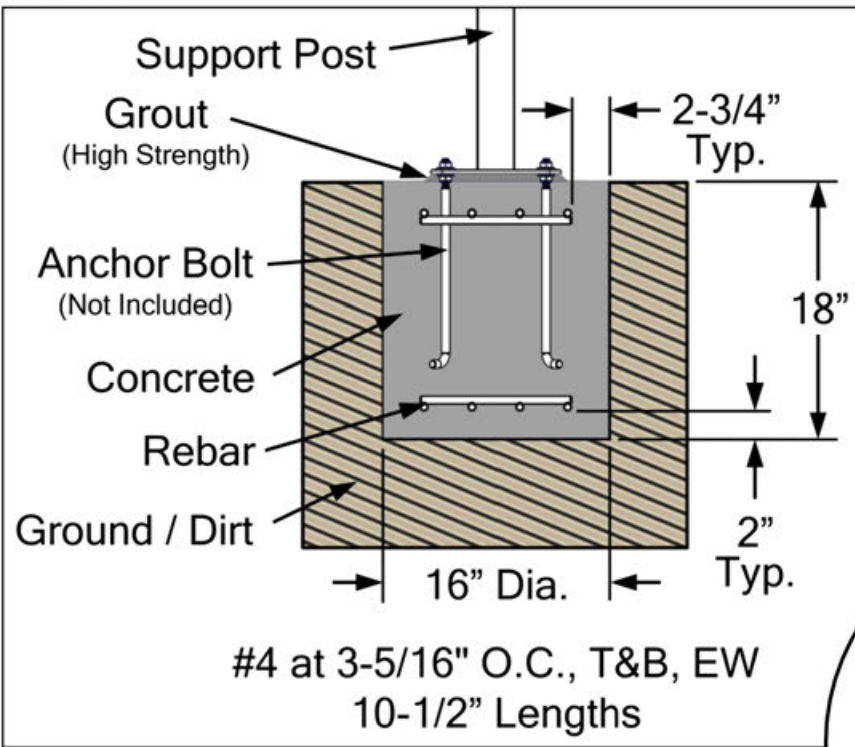
Guideline shows picnic table in place. Center shade in all directions over picnic table. Overall dimensions are shown below.



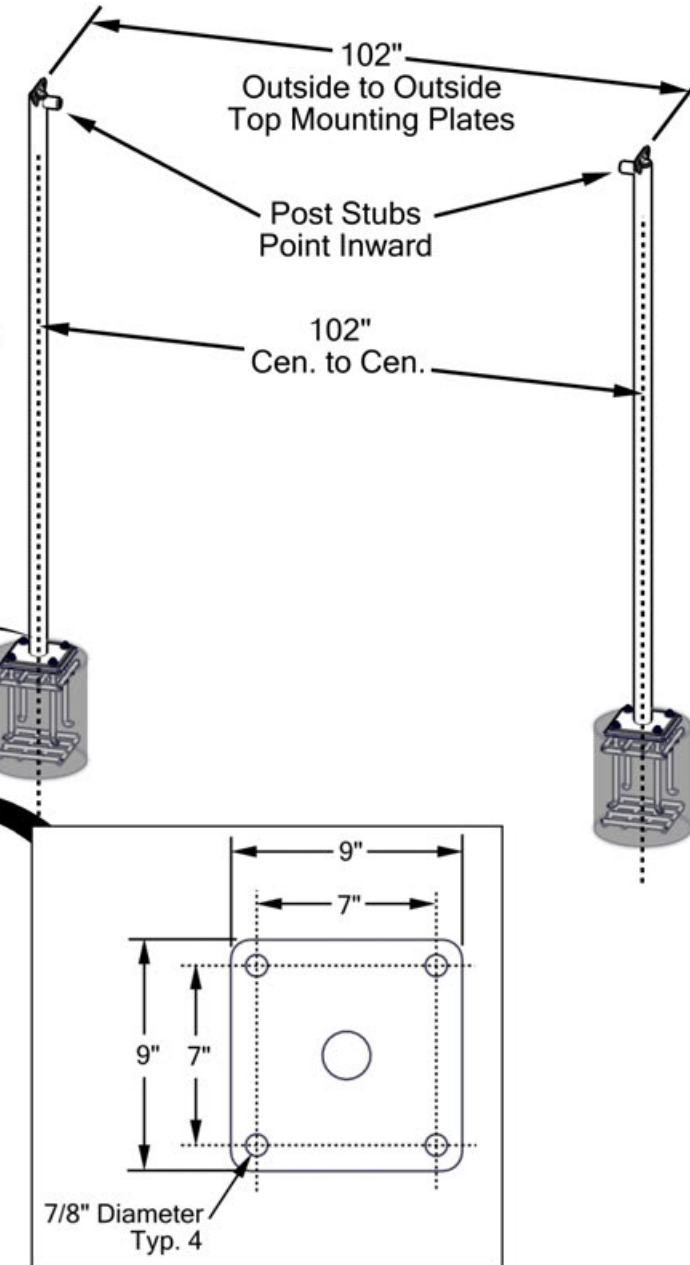
STEP 2

Prepare footing holes. Installer is responsible for proper location of all support posts. Footing hole spacing is shown at right. Footing holes for support posts must be 16" diameter and 18" deep. Footing hole requires sixteen (16) pieces of #4 x 10-1/2" rebar. See Detail 2-1 for footing hole detail. Anchor bolts and anchor bolt hardware are NOT included. Suggested anchor bolt size is listed below.

Detail 2-1



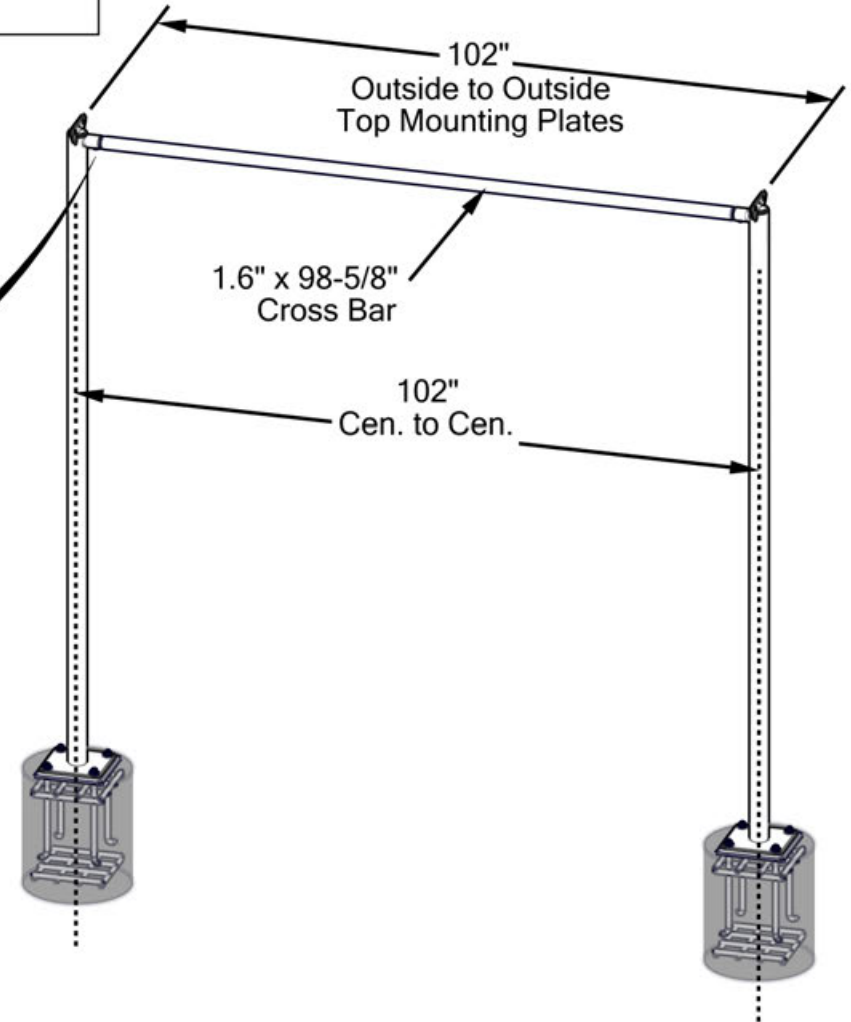
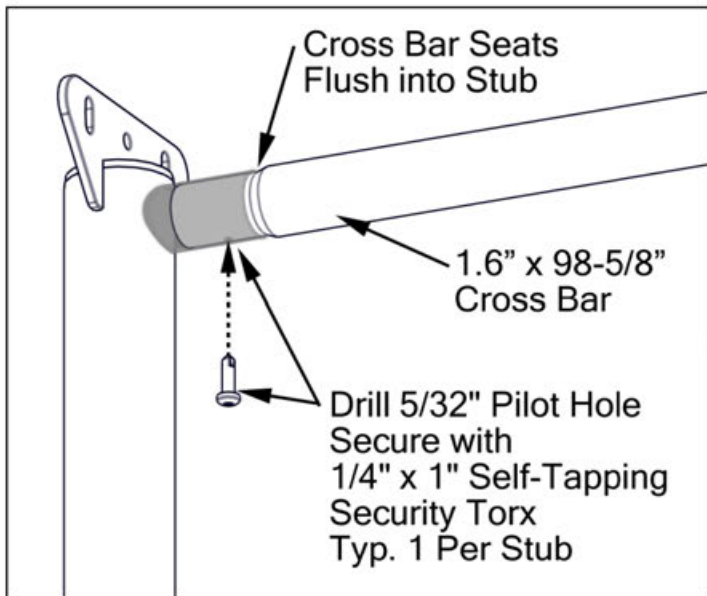
Suggested Anchor Bolt Size
1/2" Dia. x 14" Length x
1" Hook x 2" Thread



STEP 3

Insert ends of 1.6" x 98-5/8" cross bar into stubs on support posts. Ensure cross bar seats flush into each stub. Distance across outsides of top mounting plates should be 102". At bottom of each stub, drill one (1) 5/32" pilot hole through pre-drilled hole in stub and into cross bar. Secure with one (1) 1/4" x 1" self-tapping security Torx. See Detail 3-1. Repeat for opposite end of cross bar.

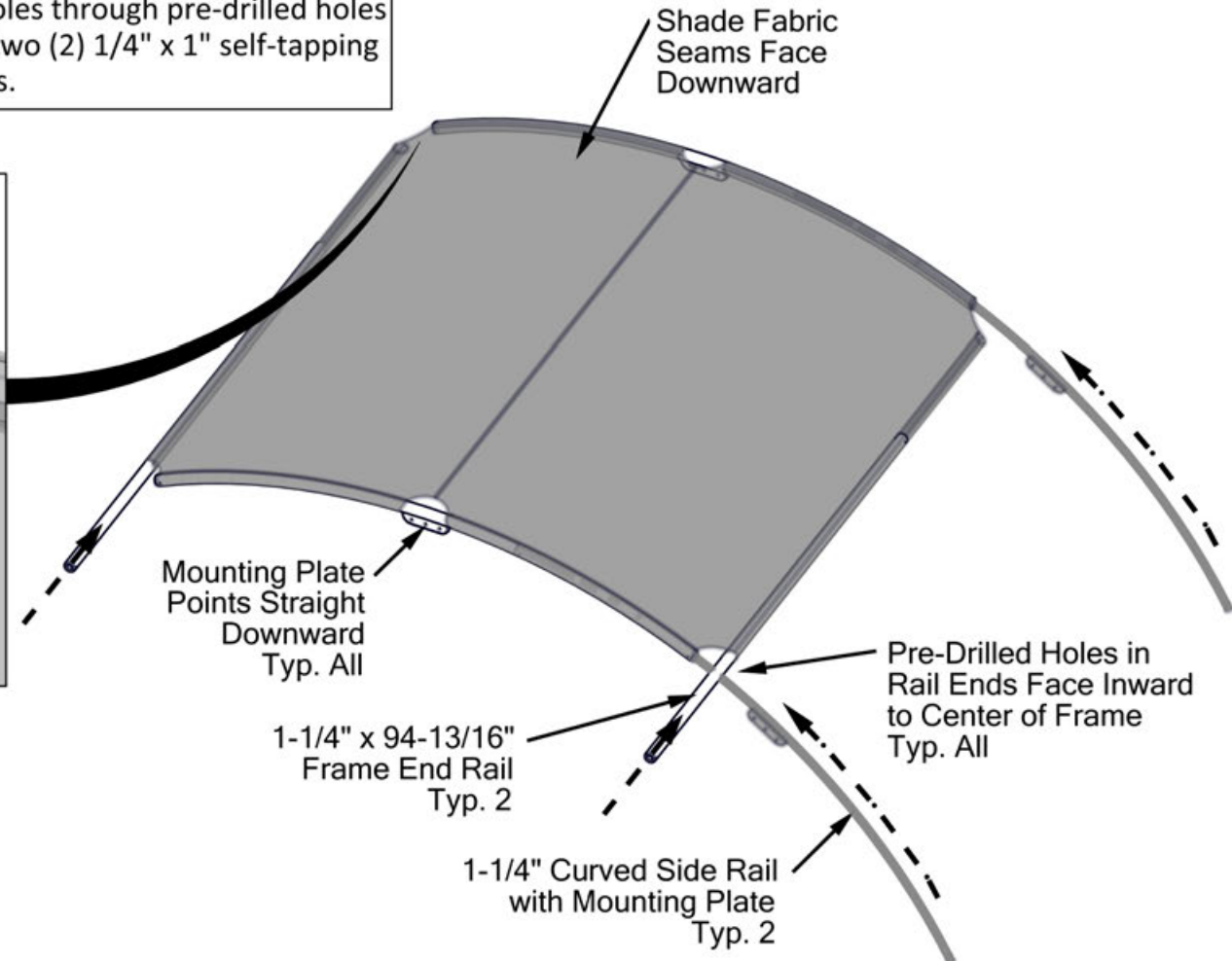
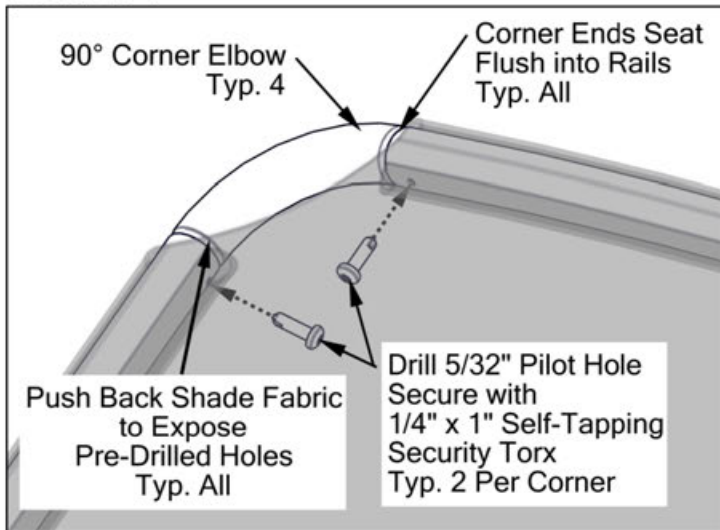
Detail 3-1



STEP 4

Assemble shade panel. Place fabric with seams facing down. Insert two (2) curved side rails with plates. Pre-drilled holes should face toward inside of frame. Ensure mounting plates point straight down at opening in middle of shade edge. Insert two (2) end rails. Pre-drilled holes should face toward inside of frame. At each corner of shade, insert one (1) 90° elbow into ends of rails. Ensure elbow seats flush into frame rails. Push back fabric to expose pre-drilled holes in rails. Drill two (2) 5/32" pilot holes through pre-drilled holes in rails and into elbow. Secure rails to elbow with two (2) 1/4" x 1" self-tapping security Torx. See Detail 4-1. Repeat for all corners.

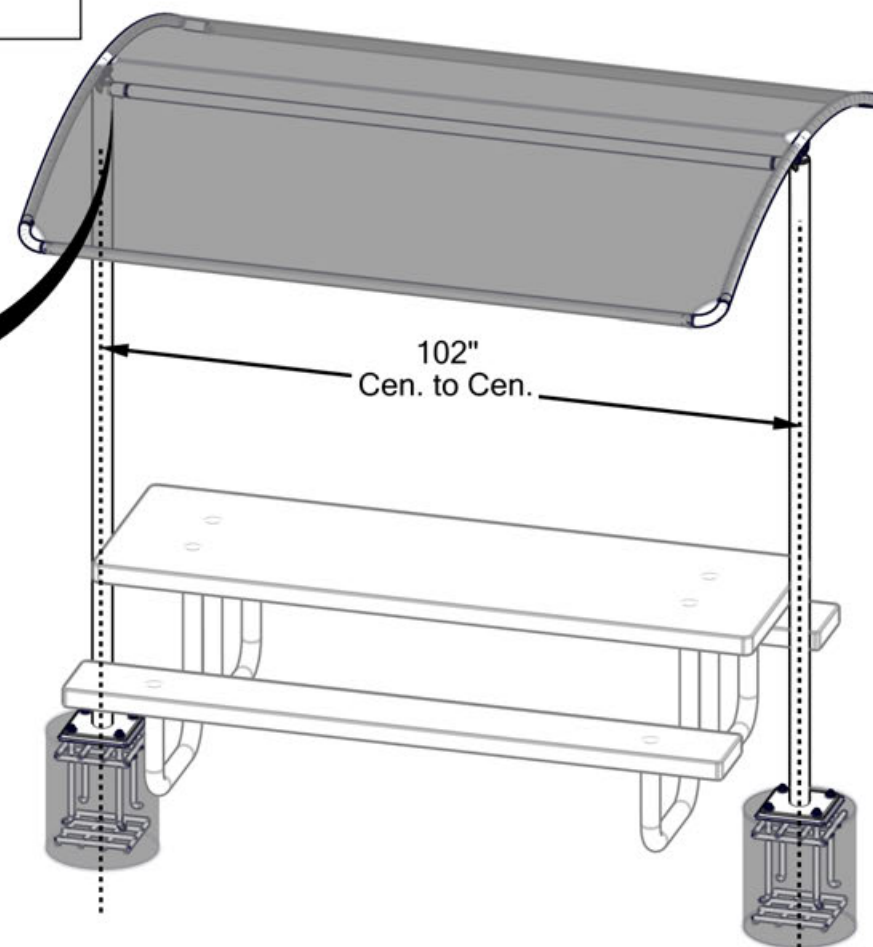
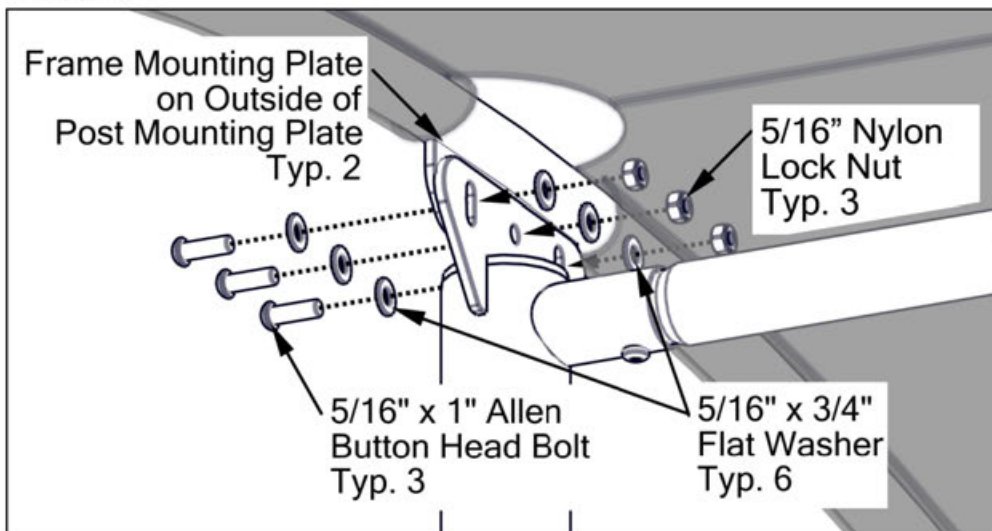
Detail 4-1



STEP 5

Place shade and frame onto top ends of support posts. Frame mounting plates should be on outsides of post mounting plates. Align holes in all mounting plates. Secure each side of frame to post with three (3) 5/16" x 1" Allen button head bolts, six (6) 5/16" x 3/4" flat washers, and three (3) 5/16" Nylon lock nuts. See Detail 5-1. Repeat for opposite side of frame. Check all connections and ensure structure is stable. All concrete and anchor bolts must be fully cured before use of structure. Installation is complete. Place one (1) Age Appropriate Sticker on structure in a clearly visible location.

Detail 5-1



Page Intentionally Left Blank