

REFERENCE NUMBER  
PSS-71363  
5" STEEL STRUCTURE DESIGN  
EQUIPMENT SIZE  
35 X 35 USE ZONE  
47 X 47  
AGE GROUP SURFACE AREA  
5-12 1612 .S.F.

USER CAPACITY 4" TIMBER COUNT  
30-35 4.3 BORDERS

FALL HEIGHT  
11'

ADA ACCESSIBILITY  
ELEVATED  
PLAY ACTIVITIES  
NA

	GROUND LEVEL ACCESSIBLE PLAY ACTIVITIES	GROUND LEVEL ACCESSIBLE ACTIVITY TYPES
REQUIRED	NA	NA
PROVIDED	NA	NA

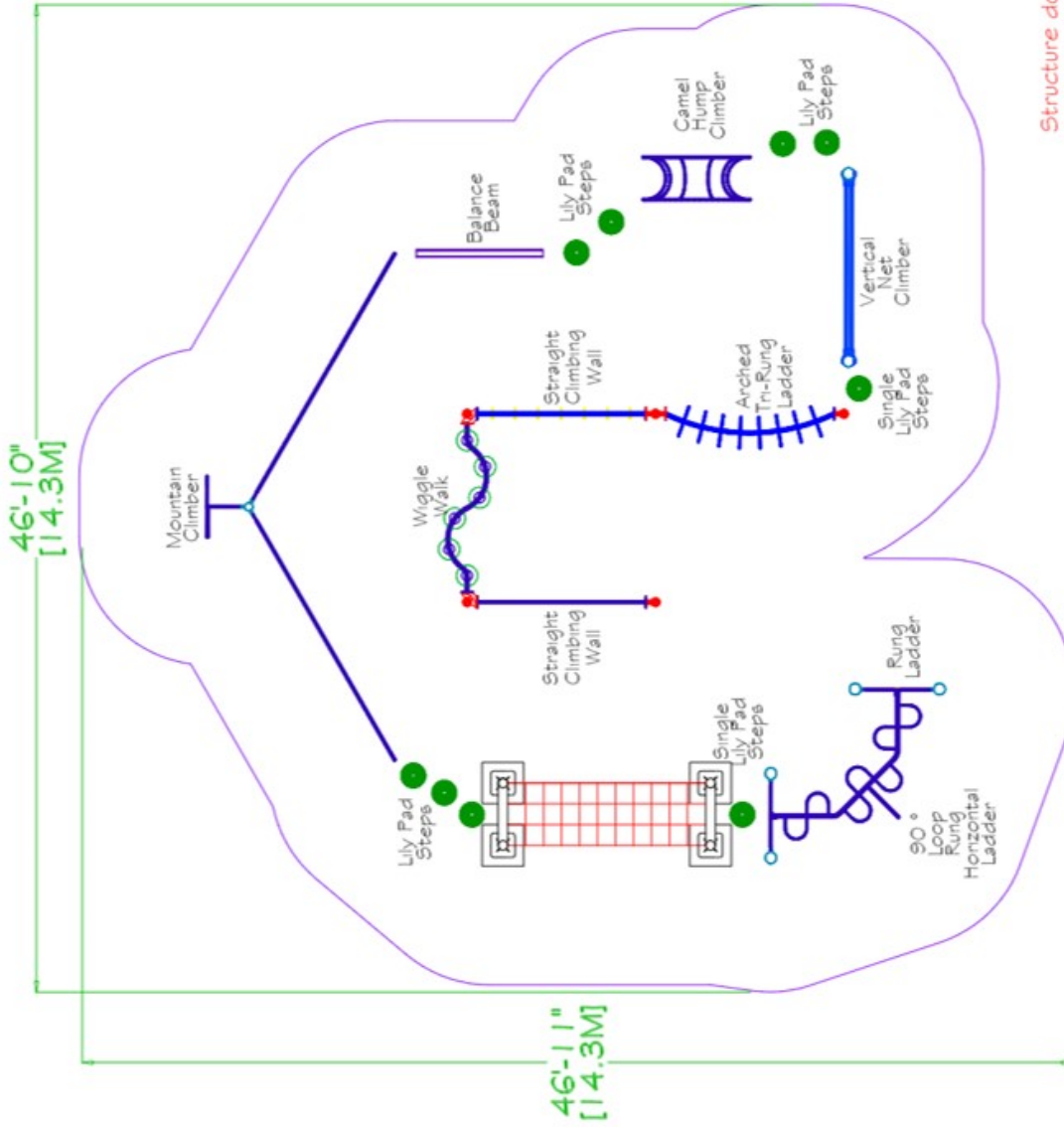
THIS STRUCTURE MEETS OR EXCEEDS CPSC #325 AND ASTM F1487-17 UNLESS OTHERWISE NOTED.

DATE 5-27-21 / WILLOW, BRANSCUM  
DRAWN/SAVED BY WSB  
SCALE 3/16" = 1'-0"  
PAGE 1 OF 3

PLAN\_VIEW

WE RECOMMEND THIS PLAN BE PRINTED ON 11" x 17" PAPER

PLAYGROUND SUPERVISION IS REQUIRED.  
THIS DESIGN IS THE PROPERTY OF SUPERIOR RECREATIONAL PRODUCTS AND MAY NOT BE REPRODUCED OR TRANSMITTED IN ANY FORM WITHOUT THE EXPRESSED WRITTEN CONSENT OF SUPERIOR RECREATIONAL PRODUCTS.



Structure does not meet  
ADA Guidelines