

USER GROUP: 2-5 Years, 5-12 Years

RECOMMENDED CREW: 2 People

TOOLS REQUIRED:

- 1/2" Hex, 9/16" Hex, 5/8" Hex, 3/16" Allen
- Level, Square, Hammer / Mallet, Adjustable Wrench
- Anchor Bolts (Not Included)
- Anchor Bolt Hardware (Not Included)
- Drill Bits: Determined by Anchor Bolts
- High Speed 3/8" Electric Drill with Clutch

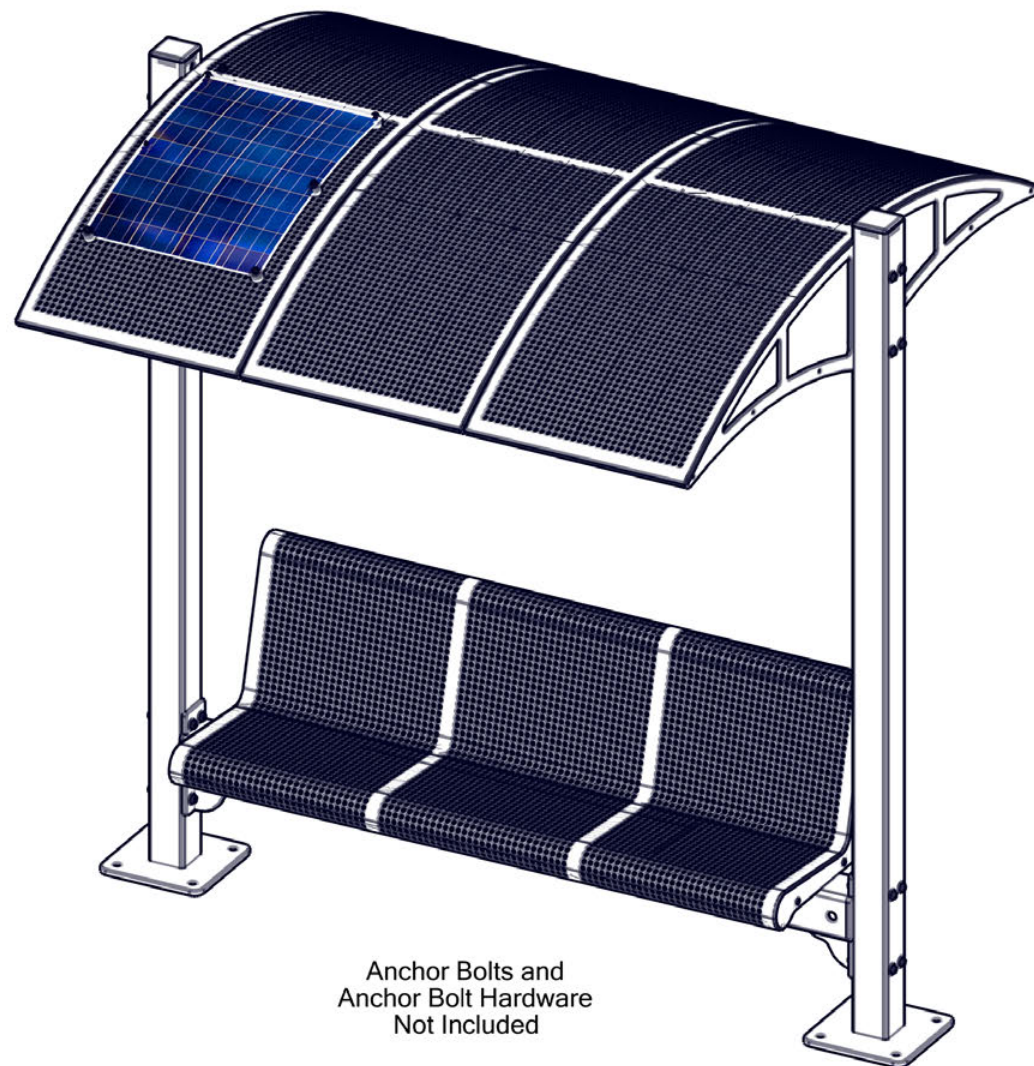
NOTE: Use of any other driver may result in damage to product, tool, and/or hardware!

NOTE: Apply Thread Locking Solution to ALL Non-Patched Hardware with Threads!

INSTALLATION TIME: 1 Hour

WEIGHT: 1,200 lbs.

CONCRETE REQUIRED: None



Anchor Bolts and  
Anchor Bolt Hardware  
Not Included

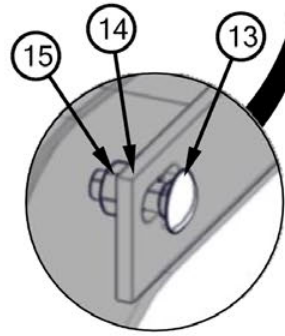
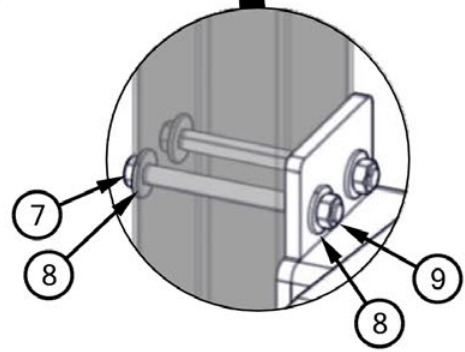
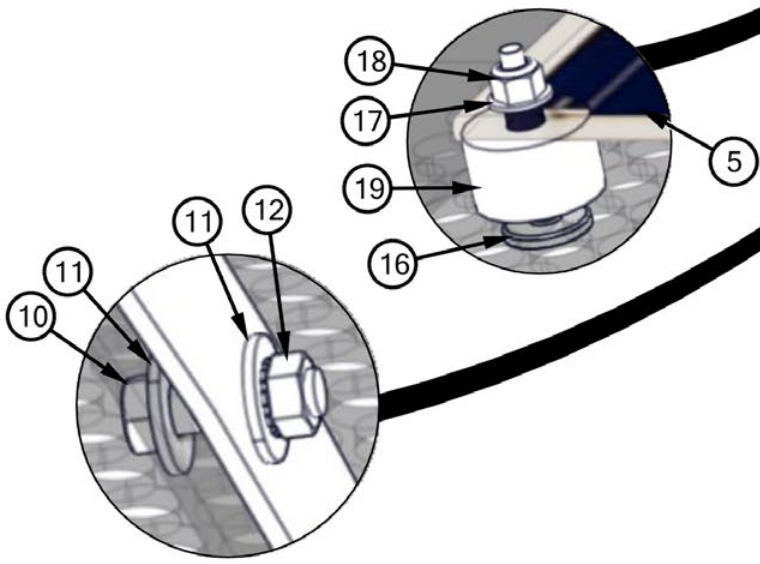
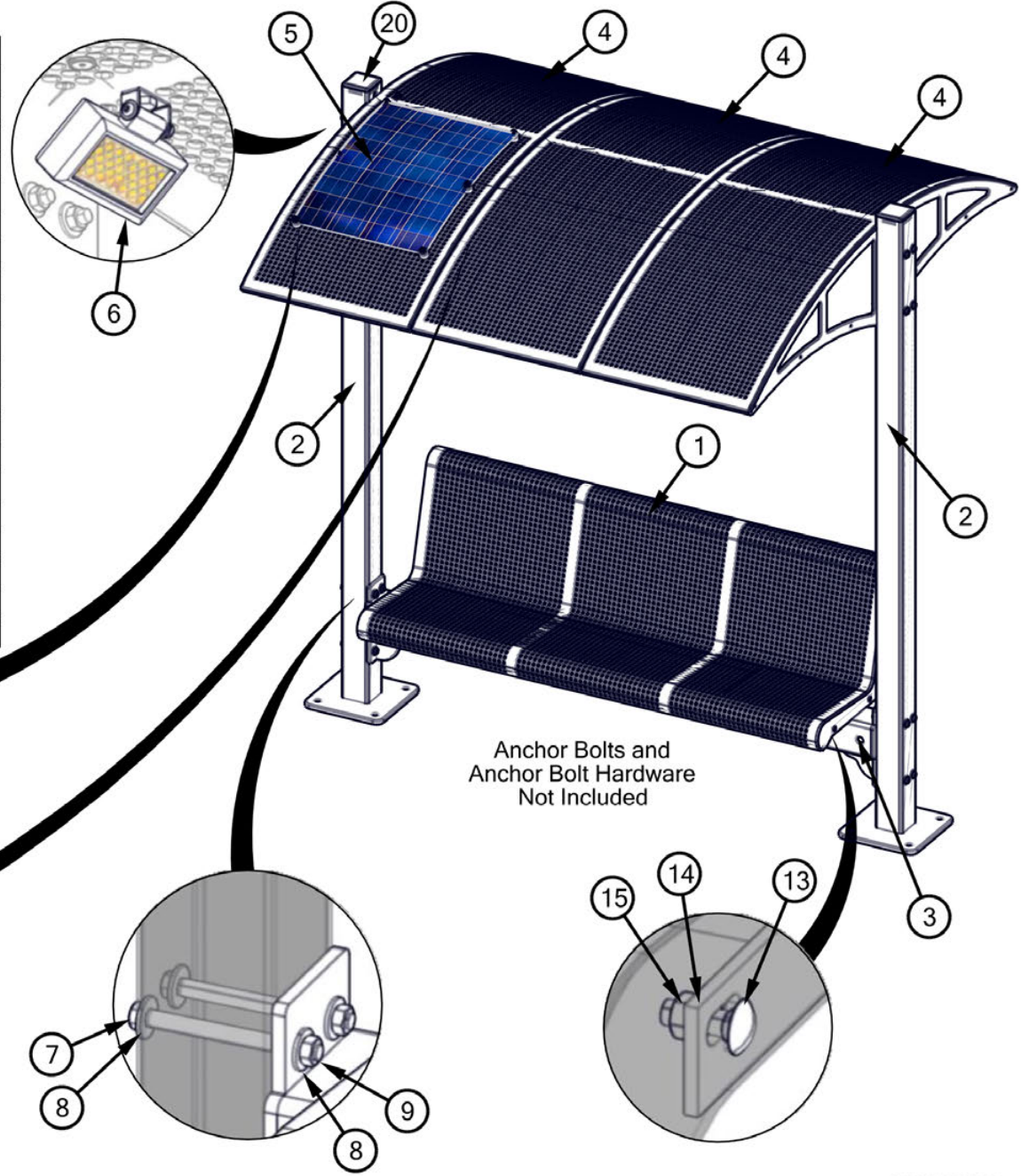
#### PRE-INSTALLATION CHECK:

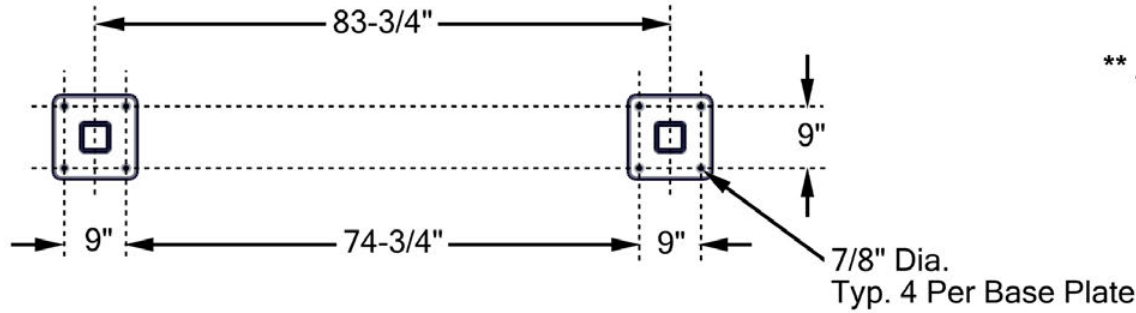
**Customer is responsible** for verifying materials received by comparing received items with packing list. If any parts are missing or damaged, including documentation, contact your local sales representative immediately.

**Supplier is not responsible** for items discovered missing after 72 hours from time of delivery.

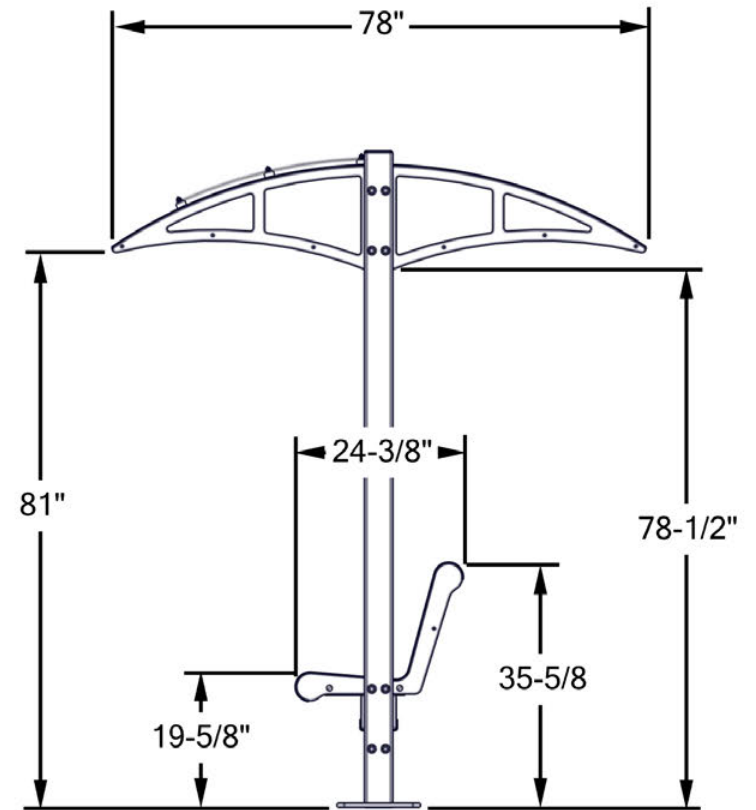
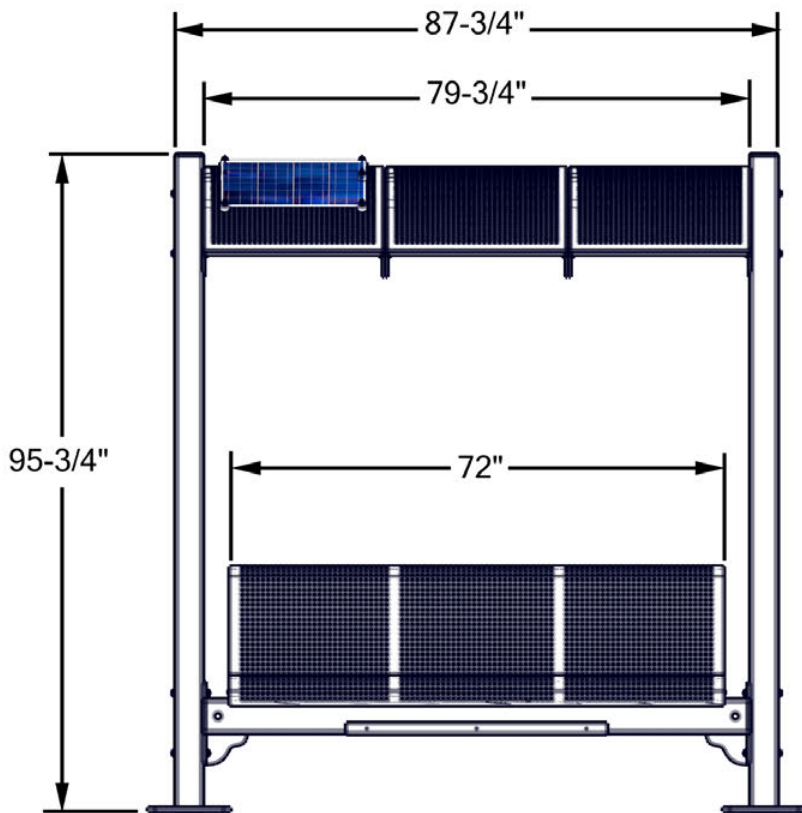
**Before beginning installation, all installers must read and understand the Installation Introduction manual as supplied.** If you did not receive a copy, or if you have any questions regarding any information in the Installation Instructions or this Installation Guideline, contact your local sales representative.

ITEM	Part No.	QTY	DESCRIPTION
1		1	Bench - Capri 6' Punched
2		2	Vertical Support - 4"x4" with Surface Mount Plate
3		1	Horizontal Bench Support - 5"x5" with Electronics
4		3	Curved Canopy Section
5		1	Solar Panel - 21" x 28"
6		1	Floodlight - LED Rectangle with Mounting Hardware
7		16	7/16" x 5" Hex Head Bolt SS
8		32	7/16" x 1-1/8" Flat Washer
9		16	7/16" Hex Nut SS
10		20	3/8" x 1-1/4" Hex Head Bolt SS
11		40	3/8" x 1" Flat Washer SS
12		20	3/8" Hex Kep Nut SS
13		4	5/16" x 1" Carriage Bolt SS
14		4	5/16" x 7/8" Flat Washer SS
15		4	5/16" Hex Kep Nut SS
16	HWB0124	6	Bolt 1/4"-20 x 1-3/4" WAFER SS
17	HWWR0030	6	Washer 1/4" ID x 5/8 OD Flat 316 SS
18		6	1/4" Nylon Lock Nut SS
19		6	Rubber Standoff
20	HWM0404	2	Insert 4" x 7-11GA SQ Tube Insert



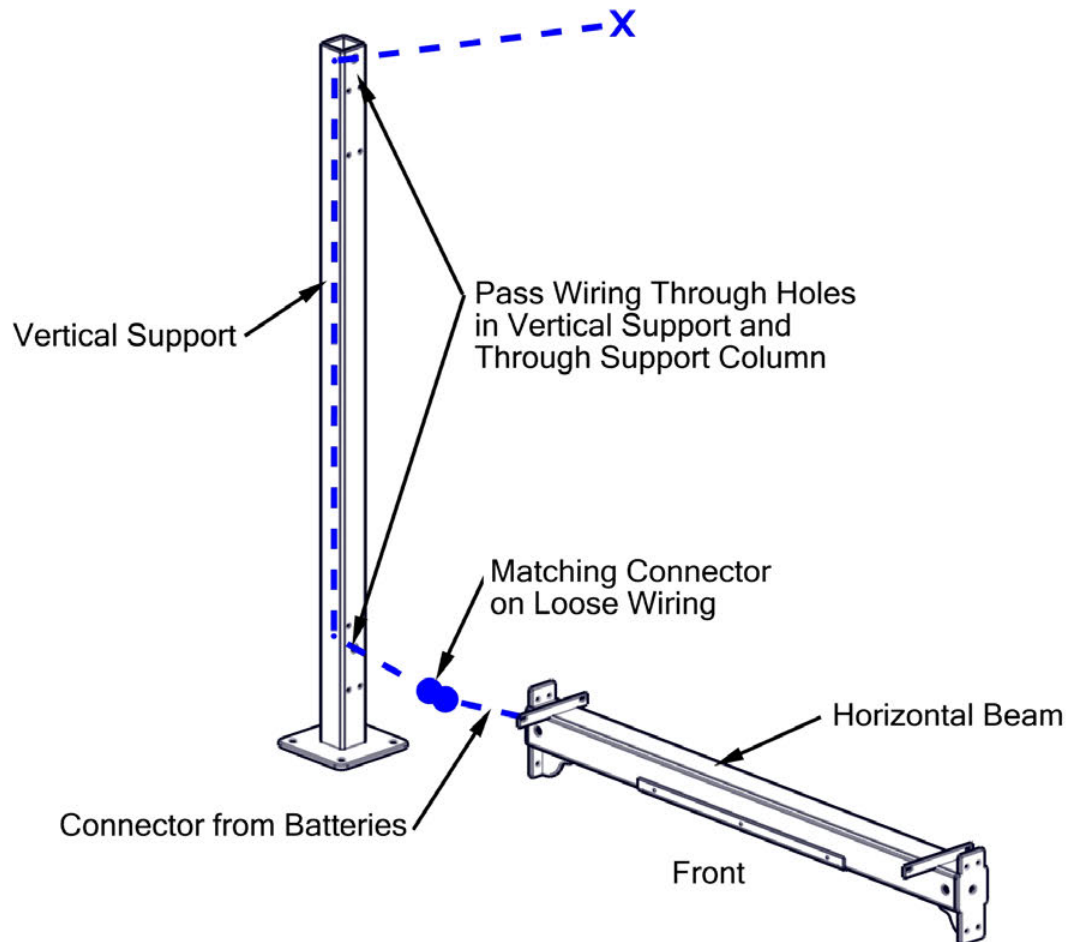


\*\* Anchor Bolts and Anchor Bolt Hardware are Not Included \*\*



#### STEP 1

Locate wire and connector from batteries and electronics, from inside of horizontal beam. Locate loose wiring included with hardware. Match connectors to determine correct end of loose wiring. Place connector through top center hole in vertical support. Connector should exit through bottom center hole in vertical support. Connect loose wiring and batteries at connectors. Opposite vertical support does not require wiring.

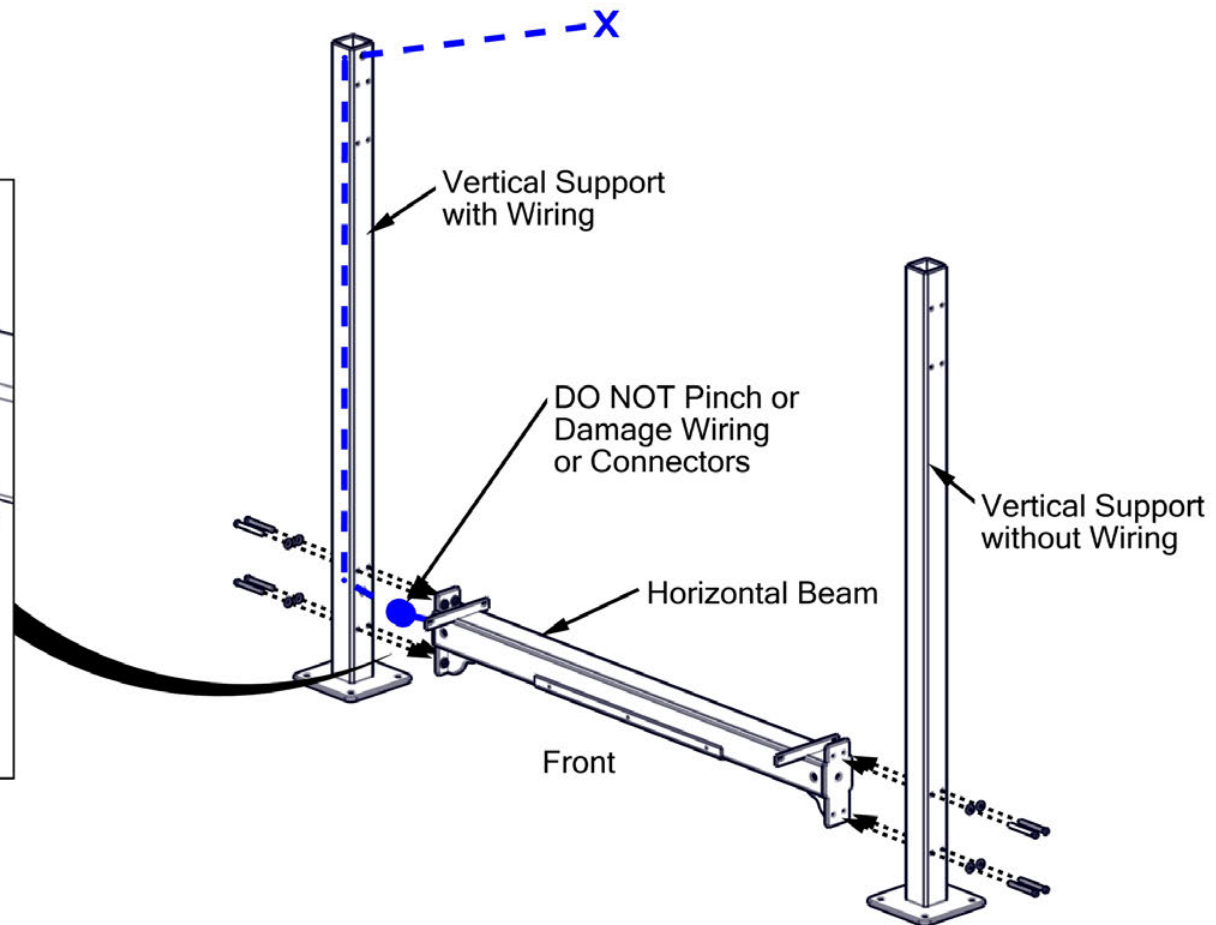
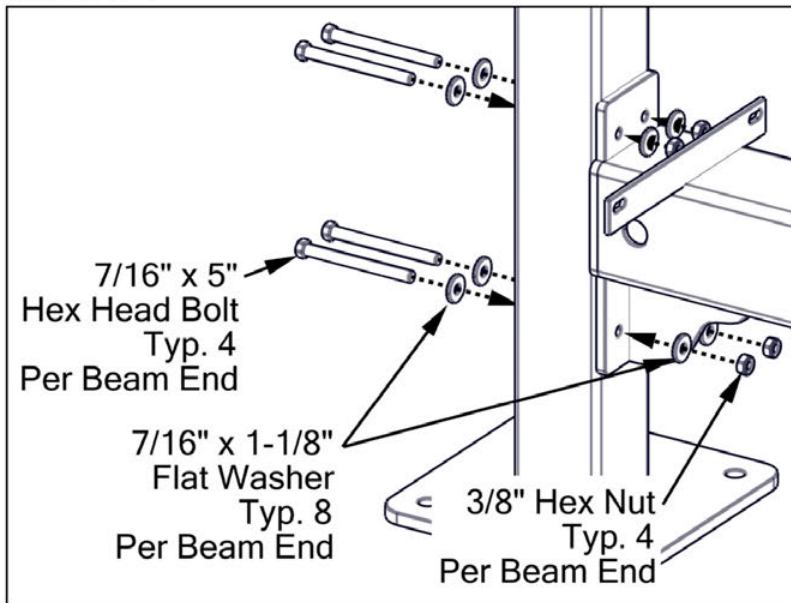


#### STEP 2

Secure horizontal beam to vertical supports. Secure each end of horizontal beam to vertical support with four (4) 7/16" x 5" hex head bolts, eight (8) 7/16" x 1-1/8" flat washers, and four (4) 7/16" hex nuts. See Detail 2-1. Repeat for opposite end of horizontal beam.

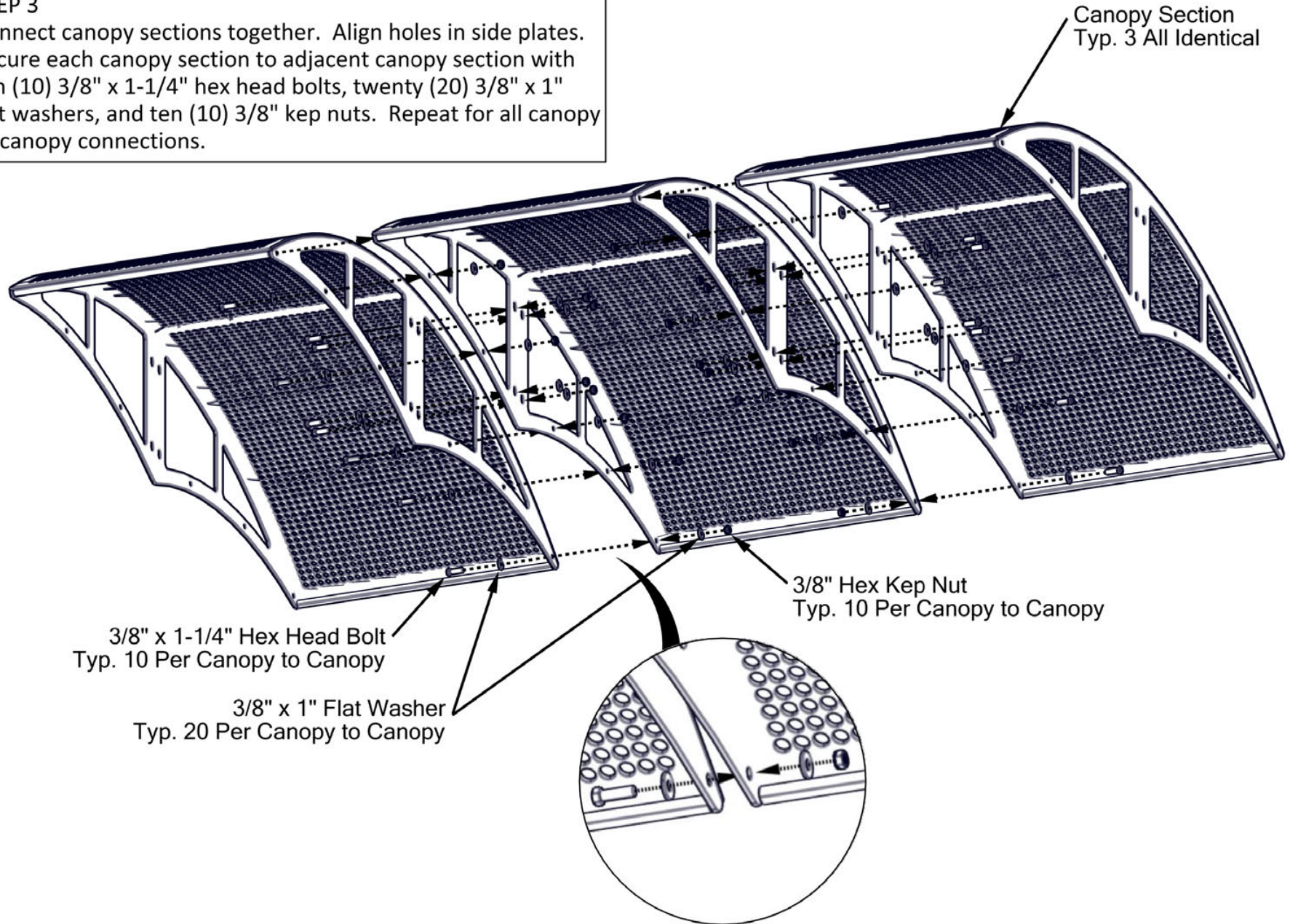
\*\* DO NOT pinch or damage wiring or connectors. \*\*

#### Detail 2-1



**STEP 3**

Connect canopy sections together. Align holes in side plates. Secure each canopy section to adjacent canopy section with ten (10) 3/8" x 1-1/4" hex head bolts, twenty (20) 3/8" x 1" flat washers, and ten (10) 3/8" keps. Repeat for all canopy to canopy connections.



#### STEP 4

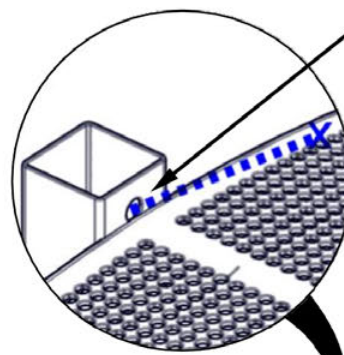
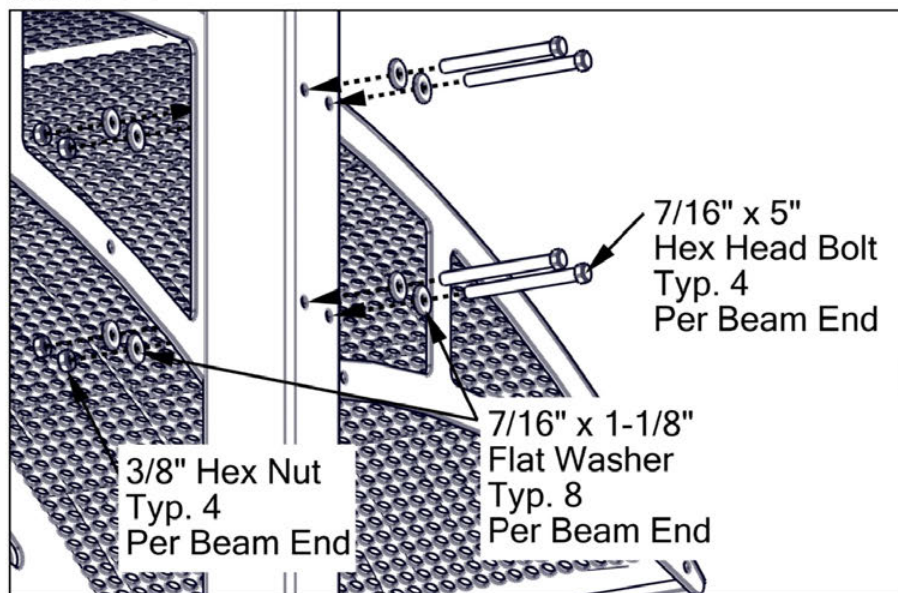
Place canopy assembly between vertical supports.

**\*\* DO NOT pinch or damage wiring or connectors. \*\***

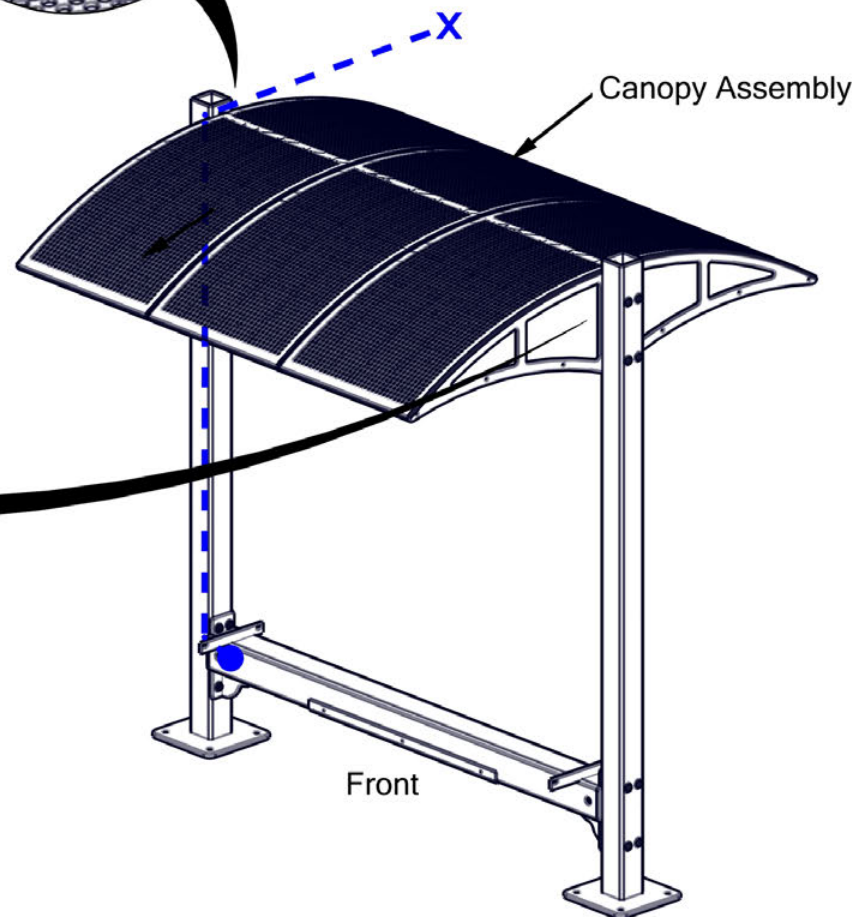
Secure each end of canopy assembly to vertical support with four (4) 7/16" x 5" hex head bolts, eight (8) 7/16" x 1-1/8" flat washers, and four (4) 7/16" hex nuts. See Detail 4-1.

Repeat for opposite end of canopy assembly.

Detail 4-1



DO NOT Pinch or Damage  
Wiring or Connectors

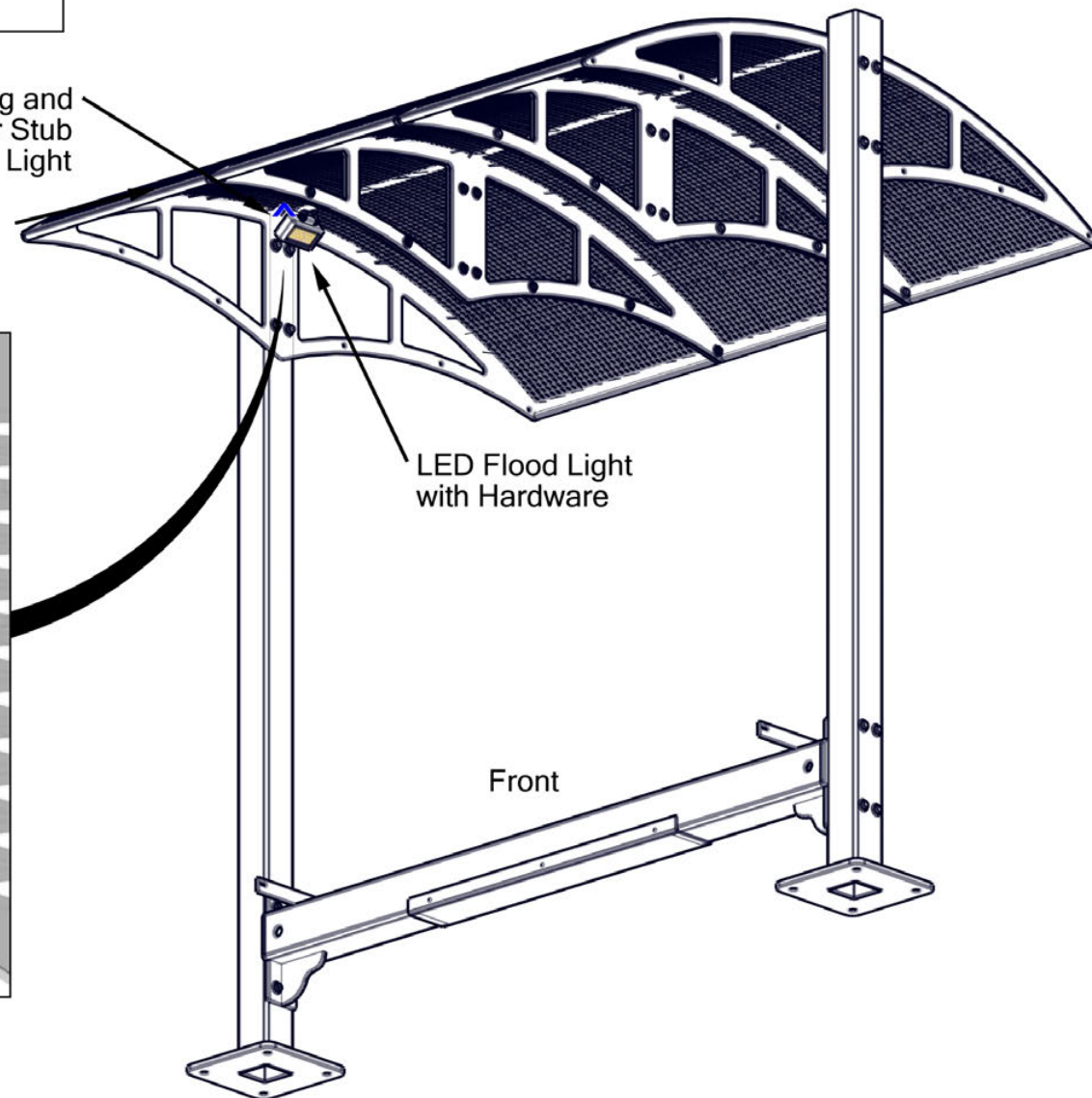
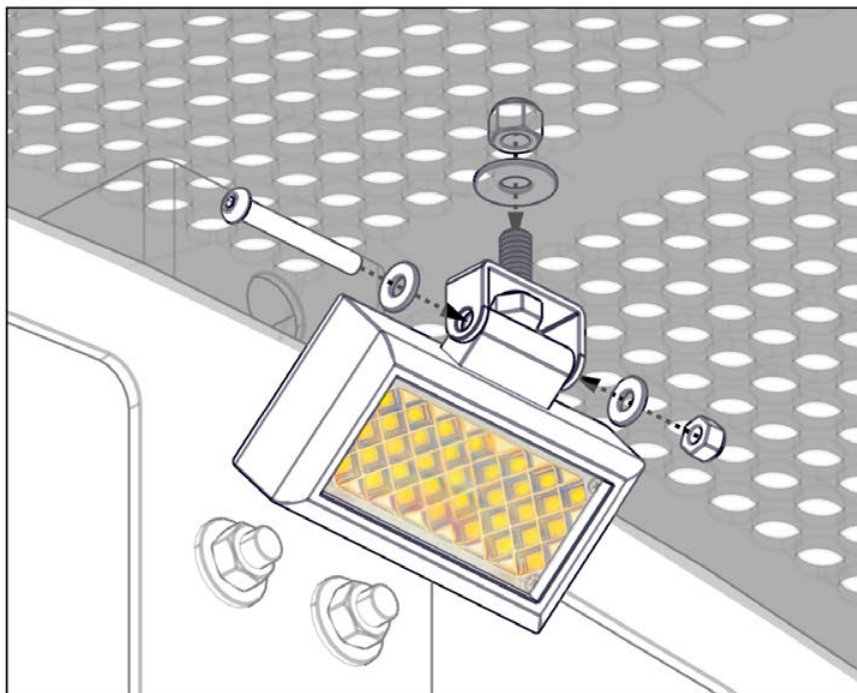


#### STEP 5

Use hardware supplied with LED flood light to mount flood light to canopy. See Detail 5-1. Route wiring stub from exit in vertical support to flood light and connect.

Route Wiring and  
Connector Stub  
to Flood Light

Detail 5-1

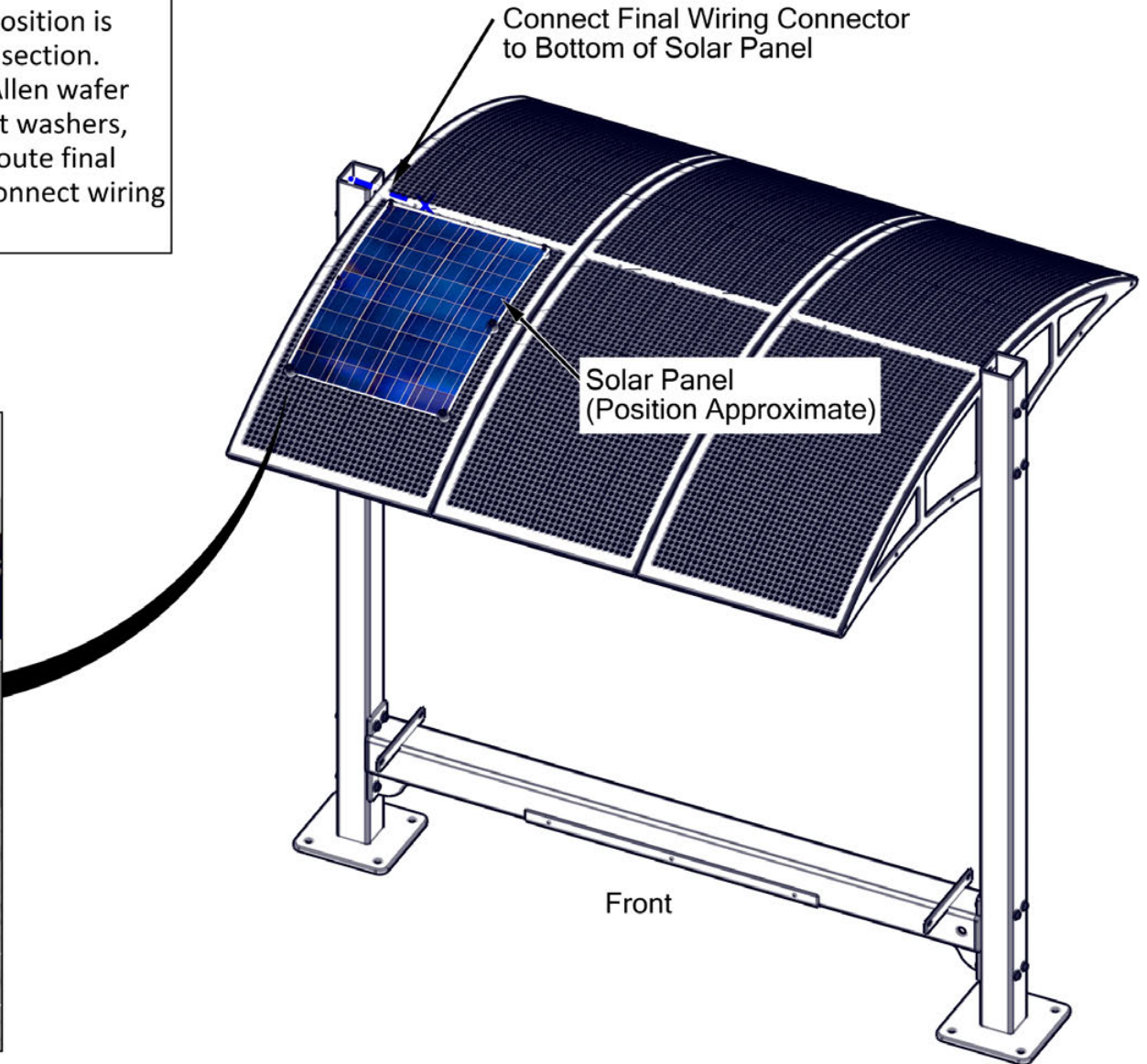
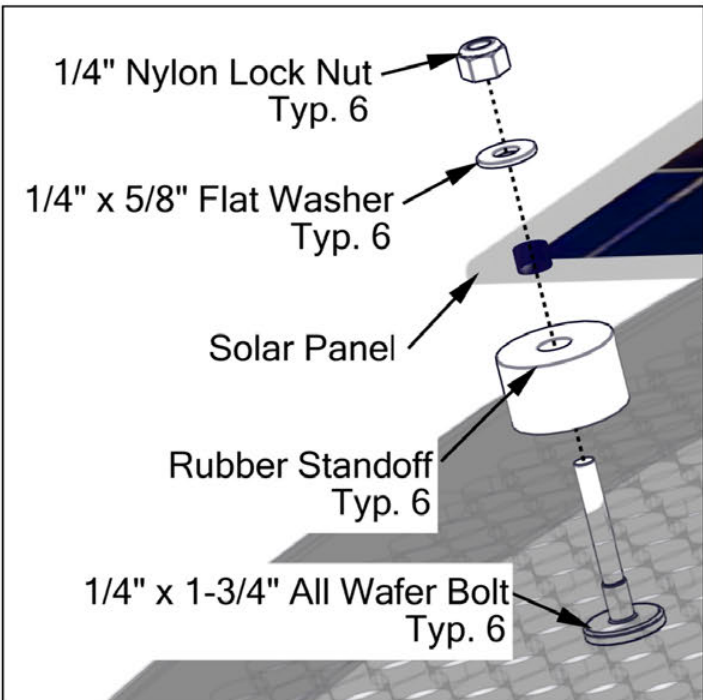




#### STEP 6

Mount solar panel to top of canopy. Solar panel position is approximate. Ensure panel is square with canopy section. Secure panel to canopy with six (6) 1/4" x 1-3/4" Allen wafer bolt, six (6) rubber standoffs, six (6) 1/4" x 5/8" flat washers, and six (6) 1/4" Nylon lock nuts. See Detail 6-1. Route final wiring connector to bottom side of solar panel. Connect wiring to connector on bottom of solar panel.

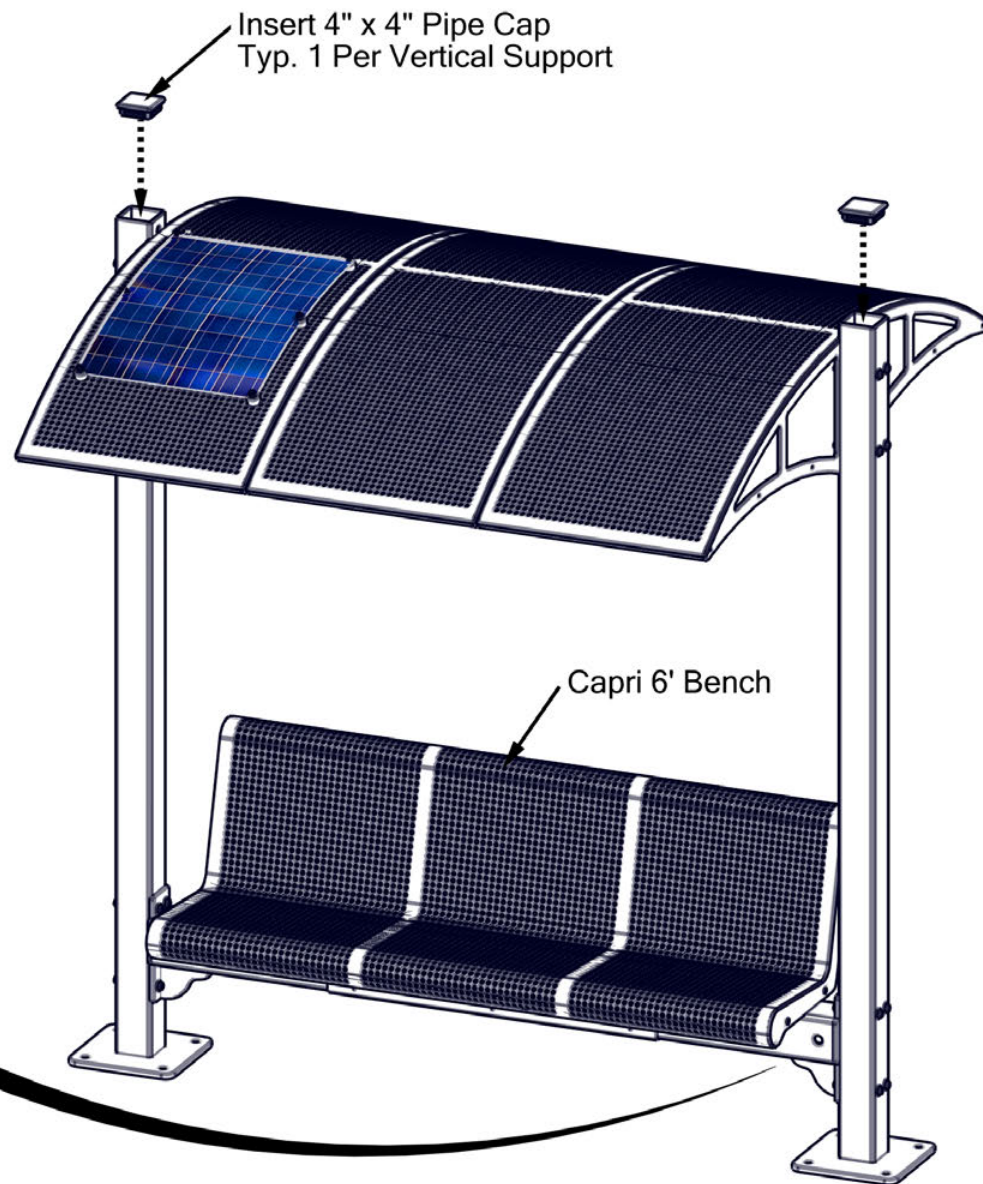
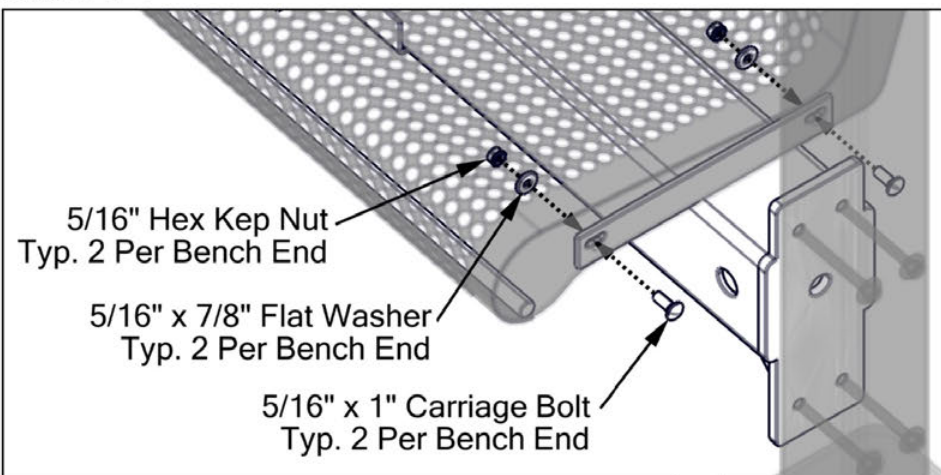
#### Detail 6-1



#### STEP 7

Mount bench to horizontal beam. Bench fits on outsides of support angles. Secure each end of bench to beam support angle with two (2) 5/16" x 1" carriage bolts, two (2) 5/16" x 7/8" flat washers, and two (2) hex keps. See Detail 7-1. Repeat for opposite end of bench. Insert one (1) 4" x 4" post cap into top end of each vertical support.

#### Detail 7-1



#### STEP 8

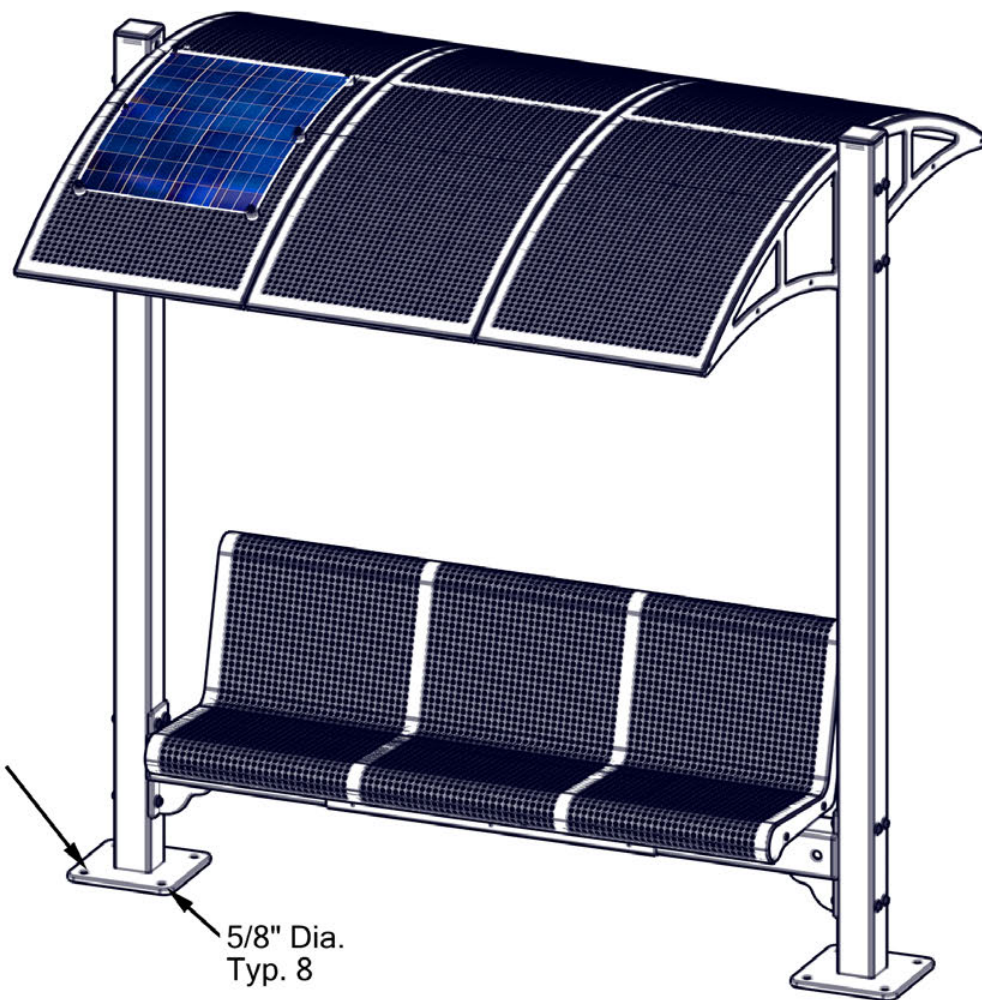
Anchor bolts and anchor bolt hardware are NOT included. Installer must determine proper style, size, and length of anchor bolts based upon installation site conditions. No more than 2 threads of anchor bolts should be exposed above anchor bolt hardware. Check all connections and ensure structure is stable. All concrete and anchor bolts must be fully cured before use of structure. Installation is complete. Place one (1) Age Appropriate Sticker on structure in a clearly visible location.

**\*\* Anchor Bolts and Anchor Bolt Hardware are NOT Included. \*\***

**\*\* Installer Must Determine Proper Style, Size, and Length of Anchor Bolts Based Upon Installation Site Conditions. \*\***

No More Than 2 Exposed Threads  
Per Anchor Bolt

5/8" Dia.  
Typ. 8



Page Intentionally Left Blank